

EBARA REFRIGERATION EQUIPMENT&SYSTEMS (CHINA) CO.,LTD.

No.720,Yongda Road,Fushan High-tech Industrial Zone,Yantai ,Shandong Province

TEL: +86-0535-6988668

FAX: +86-0535-6325372

URL: <http://www.ytebara.com.cn/>

MAIL: market@ytebara.com.cn



CXW Cross-Flow Induced-draft Cooling Tower

Design Information





I. Outline of models

(closed type, Cross Flow, and induced draft)

Models	Cooling capacity (37-32-28 °C)	Inlet and outlet pipe Diameter of host machine	Water rate (m ³ /h)	Fan		Outline dimension			Weight of host machine (kg)	Operating weight (kg)
				Power (KW)	Diameter (mm)	Length mm	Width mm	Height mm		
CXW-35ASSW*1	170000Kcal/h	DN80×1 DN80×1	34	2.2	1500	2990	1850	2140	1160	2500
CXW-40ASSW*1	190000Kcal/h	DN80×1 DN80×1	38	3.7	1500	2990	1850	2140	1170	2580
CXW-55ASSW*1	265000Kcal/h	DN100×1 DN100×1	53	3.7	1500	3270	1750	2770	1510	3480
CXW-65ASSW*1	325000Kcal/h	DN125×1 DN125×1	65	3.7	2100	4370	2350	2700	1620	3600
CXW-70ASSW*1	350000Kcal/h	DN125×1 DN125×1	70	5.5	2100	4370	2350	2700	1670	3750
CXW-80ASSW*1	400000Kcal/h	DN125×1 DN125×1	80	5.5	2100	4370	2350	2700	1740	4100
CXW-90ASSW*1	450000Kcal/h	DN125×1 DN125×1	90	5.5	2100	4370	2350	2700	1800	4400
CXW-100ASSW*1	500000Kcal/h	DN125×1 DN125×1	100	7.5	2100	4370	2350	3120	2050	4710
CXW-110ASSW*1	550000Kcal/h	DN125×1 DN125×1	110	7.5	2100	4370	2350	3120	2100	4780
CXW-120ASSW*1	600000Kcal/h	DN150×1 DN150×1	120	7.5	2200	4370	2450	3660	2350	5550
CXW-130ASSW*1	650000Kcal/h	DN150×1 DN150×1	130	11	2200	4370	2450	3660	2420	6000



CXW-140ASSW*1	700000Kcal/h	DN150×1 DN150×1	140	11	2200	4370	2450	3940	2580	6500
CXW-150ASSW*1	750000Kcal/h	DN150×1 DN150×1	150	11	2200	4370	2450	4430	2680	6770
CXW-160ASSW*1	800000Kcal/h	DN150×1 DN150×1	160	11	2200	4370	2450	4430	2730	7200
CXW-350ASSW*1	1720000Kcal/h	DN150×2 DN150×2	344	30	4300	6470	4700	4800	9000	18700
CXW-400ASSW*1	2065000Kcal/h	DN150×2 DN150×2	413	30	4300	6470	4700	5460	9400	19700
CXW-450ASSW*1	2235000Kcal/h	DN200×2 DN200×2	447	37	4300	6470	4700	5790	9700	20700
CXW-500ASSW*1	2500000Kcal/h	DN200×2 DN200×2	500	37	4300	6470	4700	5790	10000	22700
CXW-550ASSW*1	2790000Kcal/h	DN200×2 DN200×2	558	37	4300	6470	4700	5790	10300	25700

* Significance of the model names:

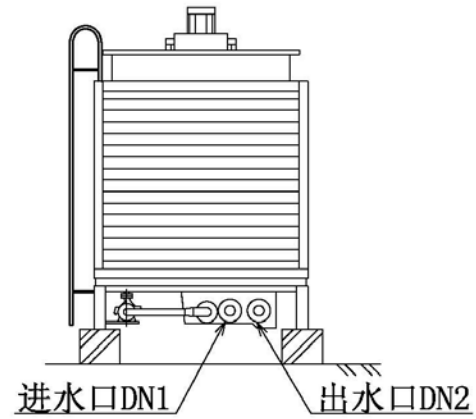
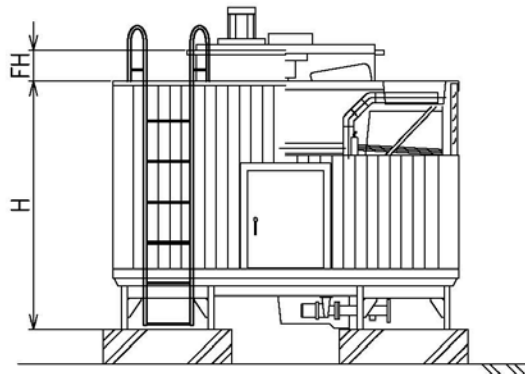
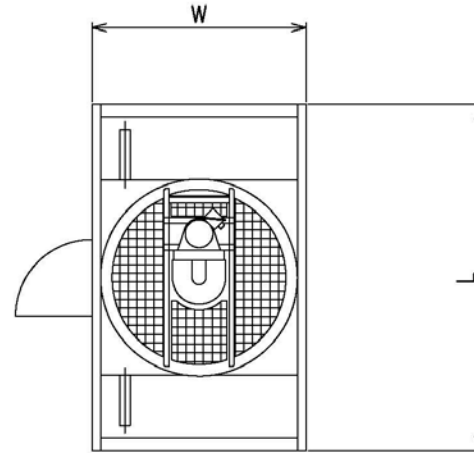
CXW	-	100	ASS	W	*	1
Rectangular,Cross-flow,Closed		Cooling water flow	Super low noise	Inside tubing		Number of Cells



II. Drawings:

1) Model

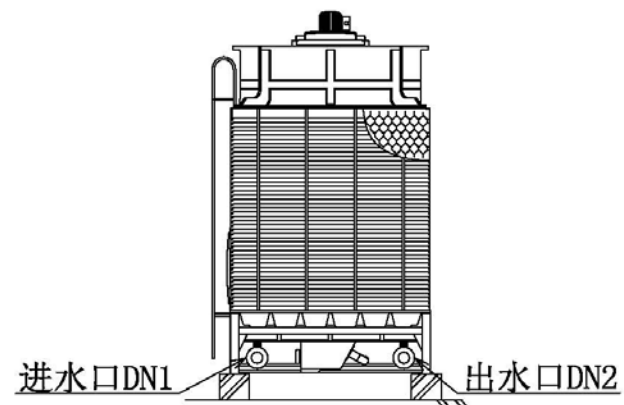
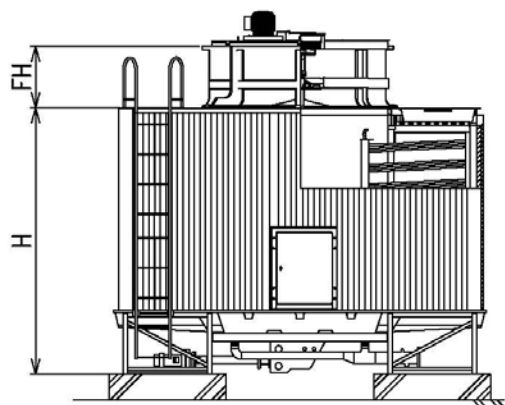
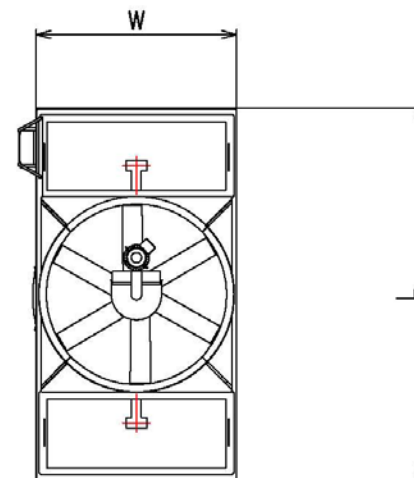
CXW-	L	W	H	FH	DN1	DN2
35ASSW*1	2990	1850	2140	270	80	80
40ASSW*1	2990	1850	2140	270	80	80





2) Model

CXW-	L	W	H	FH	DN1	DN2
55ASSW*1	3270	1750	2770	615	100	100
65ASSW*1	4370	2350	2700	715	125	125
70ASSW*1	4370	2350	2700	715	125	125
80ASSW*1	4370	2350	2700	715	125	125
90ASSW*1	4370	2350	2700	715	125	125
100ASSW*1	4370	2350	3120	715	125	125
110ASSW*1	4370	2350	3120	715	125	125
120ASSW*1	4370	2450	3660	715	150	150
130ASSW*1	4370	2450	3660	715	150	150
140ASSW*1	4370	2450	3940	715	150	150
150ASSW*1	4370	2450	4430	715	150	150
160ASSW*1	4370	2450	4430	715	150	150





3) Model

CXW-	L	W	H	FH	DN1	DN2
350ASSW*1	6470	4700	4800	1485	150×2	150×2
400ASSW*1	6470	4700	5460	1485	150×2	150×2
450ASSW*1	6470	4700	5790	1485	200×2	200×2
500ASSW*1	6470	4700	5790	1485	200×2	200×2
550ASSW*1	6470	4700	5790	1485	200×2	200×2

