

MT SERIES COUNTER FLOW COOLING TOWER



ENVIRONMENT FRIENDLY POWER SAFE HIGH PERFORMANCE COMPACT

Genius Cooling Towers Sdn Bhd
 N. 35-2, 35-3, Jalan Puteri 4/1,
 Bandar Puteri, 47100 Puchong,
 Selangor, Malaysia.
 CTI VALIDATION NO. C67A-16R00

DESIGN INFORMATION

MODEL DEFINATION FOR MT4848E4-1BI

| MT | 4848 | E | 4 | 1 | B | I |
|----------------------|-------------|---------------|-----------------|-----------------|---------------------------------------|--|
| COUNTER FLOW TYPE | BOX SIZE | MOTOR SIZE | NO. OF SIDES | NO. OF CELLS | B - BELT & PULLEY G - GEAR REDUCER | I - INTERNAL PIPING M- MODIFICATION(NON CTI) S-SUPER LOW NOISE |

4 & 3 SIDES AIR INTAKE TOWER DESIGN

| MODEL | TONNAGE | TOWER DIMENSION (mm) | | | | | MOTOR | FAN DIAMETER | PIPING INFORMATION (mm) | | | | | |
|------------------|---------|----------------------|------|------|------|------------------|-------|--------------|-------------------------|--------|-------|-----------|---------|--------|
| MT | HRT | L | W | H | LH | INLET HEIGHT (P) | kW | mm | INLET | OUTLET | DRAIN | OVER FLOW | MAKE UP | |
| | | | | | | | | | | | | | AUTO | MANUAL |
| 2121A4 2121A3 | 95 | 2150 | 2150 | 3970 | 600 | 2570 | 2.2 | 1700 | 100 | 100 | 50 | 50 | 25 | 25 |
| 2121B4 2121B3 | 105 | 2150 | 2150 | 3995 | 600 | 2582.5 | 3.7 | 1700 | 100 | 100 | 50 | 50 | 25 | 25 |
| 2121C4 2121C3 | 130 | 2150 | 2150 | 3995 | 600 | 2582.5 | 5.5 | 1700 | 125 | 125 | 50 | 50 | 25 | 25 |
| 2121D4 2121D3 | 150 | 2150 | 2150 | 3995 | 600 | 2582.5 | 7.5 | 1700 | 125 | 125 | 50 | 50 | 25 | 25 |
| 2727B4 2727B3 | 150 | 2750 | 2750 | 4275 | 800 | 2783 | 3.7 | 2000 | 125 | 125 | 50 | 50 | 25 | 25 |
| 2727C4 2727C3 | 175 | 2750 | 2750 | 4300 | 800 | 2795 | 5.5 | 2000 | 150 | 150 | 50 | 50 | 25 | 25 |
| 2727D4 2727D3 | 200 | 2750 | 2750 | 4300 | 800 | 2795 | 7.5 | 2000 | 150 | 150 | 50 | 50 | 25 | 25 |
| 2727E4 2727E3 | 225 | 2750 | 2750 | 4350 | 800 | 2820 | 11 | 2000 | 200 | 200 | 50 | 50 | 32 | 32 |
| 3131B4 3131B3 | 200 | 3150 | 3150 | 4780 | 800 | 3095 | 3.7 | 2180 | 150 | 150 | 50 | 50 | 25 | 25 |
| 3131C4 3131C3 | 225 | 3150 | 3150 | 4830 | 800 | 3120 | 5.5 | 2180 | 200 | 200 | 50 | 50 | 32 | 32 |
| 3131D4 3131D3 | 250 | 3150 | 3150 | 4830 | 800 | 3120 | 7.5 | 2180 | 200 | 200 | 50 | 50 | 32 | 32 |
| 3131E4 3131E3 | 275 | 3150 | 3150 | 4830 | 800 | 3120 | 11 | 2180 | 200 | 200 | 50 | 50 | 40 | 40 |
| 3333C4 3333C3 | 275 | 3350 | 3350 | 5490 | 1200 | 3520 | 5.5 | 2750 | 200 | 200 | 50 | 50 | 40 | 40 |
| 3333D4 3333D3 | 300 | 3350 | 3350 | 5490 | 1200 | 3520 | 7.5 | 2750 | 200 | 200 | 50 | 50 | 40 | 40 |
| 3333E4 3333E3 | 325 | 3350 | 3350 | 5490 | 1200 | 3520 | 11 | 2750 | 200 | 200 | 50 | 50 | 40 | 40 |
| 3333F4 3333F3 | 375 | 3350 | 3350 | 5490 | 1200 | 3520 | 15 | 2750 | 200 | 200 | 50 | 50 | 40 | 40 |

| MODEL | TONNAGE | TOWER DIMENSION (mm) | | | | | MOTOR | FAN DIAMETER | PIPING INFORMATION (mm) | | | | | |
|------------------|---------|----------------------|------|------|------|------------------|-------|--------------|-------------------------|--------|-------|-----------|---------|--------|
| MT | HRT | L | W | H | LH | INLET HEIGHT (P) | kW | mm | INLET | OUTLET | DRAIN | OVER FLOW | MAKE UP | |
| | | | | | | | | | | | | | AUTO | MANUAL |
| 3535C4 3535C3 | 275 | 3550 | 3550 | 5515 | 1200 | 3520 | 5.5 | 3050 | 200 | 200 | 50 | 50 | 50 | 50 |
| 3535D4 3535D3 | 300 | 3550 | 3550 | 5515 | 1200 | 3520 | 7.5 | 3050 | 200 | 200 | 50 | 50 | 50 | 50 |
| 3535E4 3535E3 | 350 | 3550 | 3550 | 5515 | 1200 | 3520 | 11 | 3050 | 200 | 200 | 50 | 50 | 50 | 50 |
| 3535F4 3535F3 | 400 | 3550 | 3550 | 5515 | 1200 | 3520 | 15 | 3050 | 200 | 200 | 50 | 50 | 50 | 50 |
| 3939C4 3939C3 | 325 | 3950 | 3950 | 5815 | 1200 | 3820 | 5.5 | 3050 | 200 | 200 | 50 | 50 | 50 | 50 |
| 3939D4 3939D3 | 350 | 3950 | 3950 | 5815 | 1200 | 3820 | 7.5 | 3050 | 200 | 200 | 50 | 50 | 50 | 50 |
| 3939E4 3939E3 | 400 | 3950 | 3950 | 5815 | 1200 | 3820 | 11 | 3050 | 200 | 200 | 50 | 50 | 50 | 50 |
| 3939F4 3939F3 | 450 | 3950 | 3950 | 5815 | 1200 | 3820 | 15 | 3050 | 200 | 200 | 50 | 50 | 50 | 50 |
| 3939G4 3939G3 | 475 | 3950 | 3950 | 5815 | 1200 | 3820 | 18.5 | 3050 | 200 | 200 | 50 | 50 | 50 | 50 |
| 4343C4 4343C3 | 350 | 4350 | 4350 | 5815 | 1200 | 3820 | 5.5 | 3050 | 200 | 200 | 50 | 50 | 50 | 50 |
| 4343D4 4343D3 | 400 | 4350 | 4350 | 5815 | 1200 | 3820 | 7.5 | 3050 | 200 | 200 | 50 | 50 | 50 | 50 |
| 4343E4 4343E3 | 450 | 4350 | 4350 | 5815 | 1200 | 3820 | 11 | 3050 | 200 | 200 | 50 | 50 | 50 | 50 |
| 4343F4 4343F3 | 500 | 4350 | 4350 | 5865 | 1200 | 3845 | 15 | 3050 | 250 | 250 | 50 | 50 | 50 | 50 |
| 4343G4 4343G3 | 550 | 4350 | 4350 | 5865 | 1200 | 3845 | 18.5 | 3050 | 250 | 250 | 50 | 50 | 50 | 50 |

| MODEL | TONNAGE | TOWER DIMENSION (mm) | | | | | MOTOR | FAN DIAMETER | PIPING INFORMATION (mm) | | | | | |
|------------------|---------|----------------------|------|------|------|------------------|-------|--------------|-------------------------|--------|-------|-----------|---------|--------|
| MT | HRT | L | W | H | LH | INLET HEIGHT (P) | kW | mm | INLET | OUTLET | DRAIN | OVER FLOW | MAKE UP | |
| | | | | | | | | | | | | | AUTO | MANUAL |
| 4848D4 4848D3 | 450 | 4800 | 4800 | 6005 | 1200 | 3820 | 7.5 | 3350 | 200 | 200 | 50 | 50 | 50 | 50 |
| 4848E4 4848E3 | 500 | 4800 | 4800 | 6055 | 1200 | 3845 | 11 | 3350 | 250 | 250 | 50 | 50 | 50 | 50 |
| 4848F4 4848F3 | 550 | 4800 | 4800 | 6055 | 1200 | 3845 | 15 | 3350 | 250 | 250 | 50 | 50 | 50 | 50 |
| 4848G4 4848G3 | 600 | 4800 | 4800 | 6055 | 1200 | 3845 | 18.5 | 3350 | 250 | 250 | 50 | 50 | 50 | 50 |
| 4848H4 4848H3 | 650 | 4800 | 4800 | 6055 | 1200 | 3845 | 22 | 3350 | 250 | 250 | 50 | 50 | 50 | 50 |
| 5151D4 5151D3 | 500 | 5100 | 5100 | 6070 | 1200 | 3845 | 7.5 | 3650 | 250 | 250 | 50 | 50 | 50 | 50 |
| 5151E4 5151E3 | 550 | 5100 | 5100 | 6070 | 1200 | 3845 | 11 | 3650 | 250 | 250 | 50 | 50 | 50 | 50 |
| 5151F4 5151F3 | 600 | 5100 | 5100 | 6070 | 1200 | 3845 | 15 | 3650 | 250 | 250 | 50 | 50 | 50 | 50 |
| 5151G4 5151G3 | 650 | 5100 | 5100 | 6070 | 1200 | 3845 | 18.5 | 3650 | 250 | 250 | 50 | 50 | 50 | 50 |
| 5151H4 5151H3 | 700 | 5100 | 5100 | 6070 | 1200 | 3845 | 22 | 3650 | 250 | 250 | 50 | 50 | 50 | 50 |
| 5151I4 5151I3 | 775 | 5100 | 5100 | 6070 | 1200 | 3845 | 30 | 3650 | 250 | 250 | 50 | 50 | 50 | 50 |
| 5454E4 5454E3 | 600 | 5400 | 5400 | 6070 | 1200 | 3845 | 11 | 3650 | 250 | 250 | 50 | 50 | 50 | 50 |
| 5454F4 5454F3 | 650 | 5400 | 5400 | 6070 | 1200 | 3845 | 15 | 3650 | 250 | 250 | 50 | 50 | 50 | 50 |
| 5454G4 5454G3 | 700 | 5400 | 5400 | 6070 | 1200 | 3845 | 18.5 | 3650 | 250 | 250 | 50 | 50 | 50 | 50 |
| 5454H4 5454H3 | 750 | 5400 | 5400 | 6070 | 1200 | 3845 | 22 | 3650 | 250 | 250 | 50 | 50 | 50 | 50 |
| 5454I4 5454I3 | 800 | 5400 | 5400 | 6120 | 1200 | 3870 | 30 | 3650 | 300 | 300 | 50 | 80 | 50 | 50 |
| 5454J4 5454J3 | 900 | 5400 | 5400 | 6120 | 1200 | 3870 | 37 | 3650 | 300 | 300 | 50 | 80 | 50 | 50 |

| MODEL | TONNAGE | TOWER DIMENSION (mm) | | | | | MOTOR | FAN DIAMETER | PIPING INFORMATION (mm) | | | | | |
|------------------|---------|----------------------|------|------|------|------------------|-------|--------------|-------------------------|--------|-------|-----------|---------|--------|
| MT | HRT | L | W | H | LH | INLET HEIGHT (P) | kW | mm | INLET | OUTLET | DRAIN | OVER FLOW | MAKE UP | |
| | | | | | | | | | | | | | AUTO | MANUAL |
| 5757E4 5757E3 | 650 | 5700 | 5700 | 6070 | 1200 | 3845 | 11 | 3650 | 250 | 250 | 50 | 50 | 50 | 50 |
| 5757F4 5757F3 | 700 | 5700 | 5700 | 6070 | 1200 | 3845 | 15 | 3650 | 250 | 250 | 50 | 50 | 50 | 50 |
| 5757G4 5757G3 | 750 | 5700 | 5700 | 6070 | 1200 | 3845 | 18.5 | 3650 | 250 | 250 | 50 | 50 | 50 | 50 |
| 5757H4 5757H3 | 800 | 5700 | 5700 | 6120 | 1200 | 3870 | 22 | 3650 | 300 | 300 | 50 | 80 | 50 | 50 |
| 5757I4 5757I3 | 850 | 5700 | 5700 | 6120 | 1200 | 3870 | 30 | 3650 | 300 | 300 | 50 | 80 | 50 | 50 |
| 5757J4 5757J3 | 950 | 5700 | 5700 | 6120 | 1200 | 3870 | 37 | 3650 | 300 | 300 | 50 | 80 | 50 | 50 |
| 6060F4 6060F3 | 750 | 6000 | 6000 | 6070 | 1200 | 3845 | 15 | 4000 | 250 | 250 | 50 | 50 | 50 | 50 |
| 6060G4 6060G3 | 800 | 6000 | 6000 | 6120 | 1200 | 3870 | 18.5 | 4000 | 300 | 300 | 50 | 80 | 50 | 50 |
| 6060H4 6060H3 | 850 | 6000 | 6000 | 6120 | 1200 | 3870 | 22 | 4000 | 300 | 300 | 50 | 80 | 50 | 50 |
| 6060I4 6060I3 | 950 | 6000 | 6000 | 6120 | 1200 | 3870 | 30 | 4000 | 300 | 300 | 50 | 80 | 50 | 50 |
| 6060J4 6060J3 | 1000 | 6000 | 6000 | 6120 | 1200 | 3870 | 37 | 4000 | 300 | 300 | 50 | 80 | 50 | 50 |
| 6060K4 6060K3 | 1050 | 6000 | 6000 | 6120 | 1200 | 3870 | 45 | 4000 | 300 | 300 | 50 | 80 | 50 | 50 |
| 6666G4 6666G3 | 850 | 6600 | 6600 | 6470 | 1200 | 3870 | 18.5 | 4250 | 300 | 300 | 50 | 80 | 50 | 50 |
| 6666H4 6666H3 | 900 | 6600 | 6600 | 6470 | 1200 | 3870 | 22 | 4250 | 300 | 300 | 50 | 80 | 50 | 50 |
| 6666I4 6666I3 | 1000 | 6600 | 6600 | 6470 | 1200 | 3870 | 30 | 4250 | 300 | 300 | 50 | 80 | 50 | 50 |
| 6666J4 6666J3 | 1100 | 6600 | 6600 | 6470 | 1200 | 3870 | 37 | 4250 | 300 | 300 | 50 | 80 | 50 | 50 |
| 6666K4 6666K3 | 1150 | 6600 | 6600 | 6470 | 1200 | 3870 | 45 | 4250 | 300 | 300 | 50 | 80 | 50 | 50 |
| 6666L4 6666L3 | 1250 | 6600 | 6600 | 6520 | 1200 | 3895 | 55 | 4250 | 350 | 350 | 50 | 80 | 50 | 50 |

| MODEL | TONNAGE | TOWER DIMENSION (mm) | | | | | MOTOR | FAN DIAMETER | PIPING INFORMATION (mm) | | | | | |
|------------------|---------|----------------------|------|------|------|------------------|-------|--------------|-------------------------|--------|-------|-----------|---------|--------|
| MT | HRT | L | W | H | LH | INLET HEIGHT (P) | kW | mm | INLET | OUTLET | DRAIN | OVER FLOW | MAKE UP | |
| | | | | | | | | | | | | | AUTO | MANUAL |
| 7171G4 7171G3 | 900 | 7100 | 7100 | 6420 | 1200 | 3870 | 18.5 | 4250 | 300 | 300 | 50 | 80 | 50 | 50 |
| 7171H4 7171H3 | 950 | 7100 | 7100 | 6420 | 1200 | 3870 | 22 | 4250 | 300 | 300 | 50 | 80 | 50 | 50 |
| 7171I4 7171I3 | 1050 | 7100 | 7100 | 6420 | 1200 | 3870 | 30 | 4250 | 300 | 300 | 50 | 80 | 50 | 50 |
| 7171J4 7171J3 | 1150 | 7100 | 7100 | 6420 | 1200 | 3870 | 37 | 4250 | 300 | 300 | 50 | 80 | 50 | 50 |
| 7171K4 7171K3 | 1250 | 7100 | 7100 | 6470 | 1200 | 3895 | 45 | 4250 | 350 | 350 | 50 | 80 | 50 | 50 |
| 7171L4 7171L3 | 1300 | 7100 | 7100 | 6470 | 1200 | 3895 | 55 | 4250 | 350 | 350 | 50 | 80 | 50 | 50 |
| 7676G4 7676G3 | 1050 | 7600 | 7600 | 6470 | 1200 | 3870 | 18.5 | 4250 | 300 | 300 | 50 | 80 | 50 | 50 |
| 7676H4 7373H3 | 1050 | 7600 | 7600 | 6470 | 1200 | 3870 | 22 | 4250 | 300 | 300 | 50 | 80 | 50 | 50 |
| 7676I4 7373I3 | 1200 | 7600 | 7600 | 6470 | 1200 | 3870 | 30 | 4250 | 300 | 300 | 50 | 80 | 50 | 50 |
| 7676J4 7676J3 | 1300 | 7600 | 7600 | 6520 | 1200 | 3895 | 37 | 4250 | 350 | 350 | 50 | 80 | 50 | 50 |
| 7676K4 7676K3 | 1400 | 7600 | 7600 | 6520 | 1200 | 3895 | 45 | 4250 | 350 | 350 | 50 | 80 | 50 | 50 |
| 7676L4 7676L3 | 1500 | 7600 | 7600 | 6520 | 1200 | 3895 | 55 | 4250 | 350 | 350 | 50 | 80 | 50 | 50 |

2 SIDES AIR INTAKE TOWER DESIGN

| MODEL | TONNAGE | TOWER DIMENSION (mm) | | | | | MOTOR | FAN DIAMETER | PIPING INFORMATION (mm) | | | | | |
|--------|---------|----------------------|------|------|------|------------------|-------|--------------|-------------------------|--------|-------|-----------|---------|--------|
| MT | HRT | L | W | H | LH | INLET HEIGHT (P) | kW | mm | INLET | OUTLET | DRAIN | OVER FLOW | MAKE UP | |
| | | | | | | | | | | | | | AUTO | MANUAL |
| 2121A2 | 95 | 2150 | 2150 | 4370 | 1000 | 2970 | 2.2 | 1700 | 100 | 100 | 50 | 50 | 25 | 25 |
| 2121B2 | 105 | 2150 | 2150 | 4395 | 1000 | 2982.5 | 3.7 | 1700 | 100 | 100 | 50 | 50 | 25 | 25 |
| 2121C2 | 130 | 2150 | 2150 | 4395 | 1000 | 2982.5 | 5.5 | 1700 | 125 | 125 | 50 | 50 | 25 | 25 |
| 2121D2 | 150 | 2150 | 2150 | 4395 | 1000 | 2982.5 | 7.5 | 1700 | 125 | 125 | 50 | 50 | 25 | 25 |
| 2727B2 | 150 | 2750 | 2750 | 4675 | 1200 | 3182.5 | 3.7 | 2000 | 125 | 125 | 50 | 50 | 25 | 25 |
| 2727C2 | 175 | 2750 | 2750 | 4700 | 1200 | 3195 | 5.5 | 2000 | 150 | 150 | 50 | 50 | 25 | 25 |
| 2727D2 | 200 | 2750 | 2750 | 4700 | 1200 | 3195 | 7.5 | 2000 | 150 | 150 | 50 | 50 | 25 | 25 |
| 2727E2 | 225 | 2750 | 2750 | 4750 | 1200 | 3220 | 11 | 2000 | 200 | 200 | 50 | 50 | 32 | 32 |
| 3131B2 | 200 | 3150 | 3150 | 5180 | 1200 | 3495 | 3.7 | 2180 | 150 | 150 | 50 | 50 | 25 | 25 |
| 3131C2 | 225 | 3150 | 3150 | 5230 | 1200 | 3520 | 5.5 | 2180 | 200 | 200 | 50 | 50 | 32 | 32 |
| 3131D2 | 250 | 3150 | 3150 | 5230 | 1200 | 3520 | 7.5 | 2180 | 200 | 200 | 50 | 50 | 32 | 32 |
| 3131E2 | 275 | 3150 | 3150 | 5230 | 1200 | 3520 | 11 | 2180 | 200 | 200 | 50 | 50 | 40 | 40 |
| 3333C2 | 275 | 3350 | 3350 | 5890 | 1600 | 3920 | 5.5 | 2750 | 200 | 200 | 50 | 50 | 40 | 40 |
| 3333D2 | 300 | 3350 | 3350 | 5890 | 1600 | 3920 | 7.5 | 2750 | 200 | 200 | 50 | 50 | 40 | 40 |
| 3333E2 | 325 | 3350 | 3350 | 5890 | 1600 | 3920 | 11 | 2750 | 200 | 200 | 50 | 50 | 40 | 40 |
| 3333F2 | 375 | 3350 | 3350 | 5890 | 1600 | 3920 | 15 | 2750 | 200 | 200 | 50 | 50 | 40 | 40 |
| 3535C2 | 275 | 3550 | 3550 | 5915 | 1600 | 3920 | 5.5 | 3050 | 200 | 200 | 50 | 50 | 50 | 50 |
| 3535D2 | 300 | 3550 | 3550 | 5915 | 1600 | 3920 | 7.5 | 3050 | 200 | 200 | 50 | 50 | 50 | 50 |
| 3535E2 | 350 | 3550 | 3550 | 5915 | 1600 | 3920 | 11 | 3050 | 200 | 200 | 50 | 50 | 50 | 50 |
| 3535F2 | 400 | 3550 | 3550 | 5915 | 1600 | 3920 | 15 | 3050 | 200 | 200 | 50 | 50 | 50 | 50 |

| MODEL | TONNAGE | TOWER DIMENSION (mm) | | | | | MOTOR | FAN DIAMETER | PIPING INFORMATION (mm) | | | | | |
|--------|---------|----------------------|------|------|------|------------------|-------|--------------|-------------------------|--------|-------|-----------|---------|--------|
| MT | HRT | L | W | H | LH | INLET HEIGHT (P) | kW | mm | INLET | OUTLET | DRAIN | OVER FLOW | MAKE UP | |
| | | | | | | | | | | | | | AUTO | MANUAL |
| 3939C2 | 325 | 3950 | 3950 | 6215 | 1600 | 4220 | 5.5 | 3050 | 200 | 200 | 50 | 50 | 50 | 50 |
| 3939D2 | 350 | 3950 | 3950 | 6215 | 1600 | 4220 | 7.5 | 3050 | 200 | 200 | 50 | 50 | 50 | 50 |
| 3939E2 | 400 | 3950 | 3950 | 6215 | 1600 | 4220 | 11 | 3050 | 200 | 200 | 50 | 50 | 50 | 50 |
| 3939F2 | 450 | 3950 | 3950 | 6215 | 1600 | 4220 | 15 | 3050 | 200 | 200 | 50 | 50 | 50 | 50 |
| 3939G2 | 475 | 3950 | 3950 | 6215 | 1600 | 4220 | 18.5 | 3050 | 200 | 200 | 50 | 50 | 50 | 50 |
| 4343C2 | 350 | 4350 | 4350 | 6215 | 1600 | 4220 | 5.5 | 3050 | 200 | 200 | 50 | 50 | 50 | 50 |
| 4343D2 | 400 | 4350 | 4350 | 6215 | 1600 | 4220 | 7.5 | 3050 | 200 | 200 | 50 | 50 | 50 | 50 |
| 4343E2 | 450 | 4350 | 4350 | 6215 | 1600 | 4220 | 11 | 3050 | 200 | 200 | 50 | 50 | 50 | 50 |
| 4343F2 | 500 | 4350 | 4350 | 6265 | 1600 | 4245 | 15 | 3050 | 250 | 250 | 50 | 50 | 50 | 50 |
| 4343G2 | 550 | 4350 | 4350 | 6265 | 1600 | 4245 | 18.5 | 3050 | 250 | 250 | 50 | 50 | 50 | 50 |
| 4848D2 | 450 | 4800 | 4800 | 6605 | 1800 | 4420 | 7.5 | 3350 | 200 | 200 | 50 | 50 | 50 | 50 |
| 4848E2 | 500 | 4800 | 4800 | 6655 | 1800 | 4445 | 11 | 3350 | 250 | 250 | 50 | 50 | 50 | 50 |
| 4848F2 | 550 | 4800 | 4800 | 6655 | 1800 | 4445 | 15 | 3350 | 250 | 250 | 50 | 50 | 50 | 50 |
| 4848G2 | 600 | 4800 | 4800 | 6655 | 1800 | 4445 | 18.5 | 3350 | 250 | 250 | 50 | 50 | 50 | 50 |
| 4848H2 | 650 | 4800 | 4800 | 6655 | 1800 | 4445 | 22 | 3350 | 250 | 250 | 50 | 50 | 50 | 50 |
| 5151D2 | 500 | 5100 | 5100 | 6670 | 1800 | 4445 | 7.5 | 3650 | 250 | 250 | 50 | 50 | 50 | 50 |
| 5151E2 | 550 | 5100 | 5100 | 6670 | 1800 | 4445 | 11 | 3650 | 250 | 250 | 50 | 50 | 50 | 50 |
| 5151F2 | 600 | 5100 | 5100 | 6670 | 1800 | 4445 | 15 | 3650 | 250 | 250 | 50 | 50 | 50 | 50 |
| 5151G2 | 650 | 5100 | 5100 | 6670 | 1800 | 4445 | 18.5 | 3650 | 250 | 250 | 50 | 50 | 50 | 50 |
| 5151H2 | 700 | 5100 | 5100 | 6670 | 1800 | 4445 | 22 | 3650 | 250 | 250 | 50 | 50 | 50 | 50 |
| 5151I2 | 775 | 5100 | 5100 | 6670 | 1800 | 4445 | 30 | 3650 | 250 | 250 | 50 | 50 | 50 | 50 |

| MODEL | TONNAGE | TOWER DIMENSION (mm) | | | | | MOTOR | FAN DIAMETER | PIPING INFORMATION (mm) | | | | | |
|--------|---------|----------------------|------|------|------|------------------|-------|--------------|-------------------------|--------|-------|-----------|---------|--------|
| MT | HRT | L | W | H | LH | INLET HEIGHT (P) | kW | mm | INLET | OUTLET | DRAIN | OVER FLOW | MAKE UP | |
| | | | | | | | | | | | | | AUTO | MANUAL |
| 5454E2 | 600 | 5400 | 5400 | 6670 | 1800 | 4445 | 11 | 3650 | 250 | 250 | 50 | 50 | 50 | 50 |
| 5454F2 | 650 | 5400 | 5400 | 6670 | 1800 | 4445 | 15 | 3650 | 250 | 250 | 50 | 50 | 50 | 50 |
| 5454G2 | 700 | 5400 | 5400 | 6670 | 1800 | 4445 | 18.5 | 3650 | 250 | 250 | 50 | 50 | 50 | 50 |
| 5454H2 | 750 | 5400 | 5400 | 6670 | 1800 | 4445 | 22 | 3650 | 250 | 250 | 50 | 50 | 50 | 50 |
| 5454I2 | 800 | 5400 | 5400 | 6720 | 1800 | 4470 | 30 | 3650 | 300 | 300 | 50 | 80 | 50 | 50 |
| 5454J2 | 900 | 5400 | 5400 | 6720 | 1800 | 4470 | 37 | 3650 | 300 | 300 | 50 | 80 | 50 | 50 |
| 5757E2 | 650 | 5700 | 5700 | 6670 | 1800 | 4445 | 11 | 3650 | 250 | 250 | 50 | 50 | 50 | 50 |
| 5757F2 | 700 | 5700 | 5700 | 6670 | 1800 | 4445 | 15 | 3650 | 250 | 250 | 50 | 50 | 50 | 50 |
| 5757G2 | 750 | 5700 | 5700 | 6670 | 1800 | 4445 | 18.5 | 3650 | 250 | 250 | 50 | 50 | 50 | 50 |
| 5757H2 | 800 | 5700 | 5700 | 6720 | 1800 | 4470 | 22 | 3650 | 300 | 300 | 50 | 80 | 50 | 50 |
| 5757I2 | 850 | 5700 | 5700 | 6720 | 1800 | 4470 | 30 | 3650 | 300 | 300 | 50 | 80 | 50 | 50 |
| 5757J2 | 950 | 5700 | 5700 | 6720 | 1800 | 4470 | 37 | 3650 | 300 | 300 | 50 | 80 | 50 | 50 |
| 6060F2 | 750 | 6000 | 6000 | 6670 | 1800 | 4445 | 15 | 4000 | 250 | 250 | 50 | 50 | 50 | 50 |
| 6060G2 | 800 | 6000 | 6000 | 6720 | 1800 | 4470 | 18.5 | 4000 | 300 | 300 | 50 | 80 | 50 | 50 |
| 6060H2 | 850 | 6000 | 6000 | 6720 | 1800 | 4470 | 22 | 4000 | 300 | 300 | 50 | 80 | 50 | 50 |
| 6060I2 | 950 | 6000 | 6000 | 6720 | 1800 | 4470 | 30 | 4000 | 300 | 300 | 50 | 80 | 50 | 50 |
| 6060J2 | 1000 | 6000 | 6000 | 6720 | 1800 | 4470 | 37 | 4000 | 300 | 300 | 50 | 80 | 50 | 50 |
| 6060K2 | 1050 | 6000 | 6000 | 6720 | 1800 | 4470 | 45 | 4000 | 300 | 300 | 50 | 80 | 50 | 50 |

| MODEL | TONNAGE | TOWER DIMENSION (mm) | | | | | MOTOR | FAN DIAMETER | PIPING INFORMATION (mm) | | | | | |
|--------|---------|----------------------|------|------|------|------------------|-------|--------------|-------------------------|--------|-------|-----------|---------|--------|
| MT | HRT | L | W | H | LH | INLET HEIGHT (P) | kW | mm | INLET | OUTLET | DRAIN | OVER FLOW | MAKE UP | |
| | | | | | | | | | | | | | AUTO | MANUAL |
| 6666G2 | 850 | 6600 | 6600 | 7070 | 1800 | 4470 | 18.5 | 4250 | 300 | 300 | 50 | 80 | 50 | 50 |
| 6666H2 | 900 | 6600 | 6600 | 7070 | 1800 | 4470 | 22 | 4250 | 300 | 300 | 50 | 80 | 50 | 50 |
| 6666I2 | 1000 | 6600 | 6600 | 7070 | 1800 | 4470 | 30 | 4250 | 300 | 300 | 50 | 80 | 50 | 50 |
| 6666J2 | 1100 | 6600 | 6600 | 7070 | 1800 | 4470 | 37 | 4250 | 300 | 300 | 50 | 80 | 50 | 50 |
| 6666K2 | 1150 | 6600 | 6600 | 7070 | 1800 | 4470 | 45 | 4250 | 300 | 300 | 50 | 80 | 50 | 50 |
| 6666L2 | 1250 | 6600 | 6600 | 7120 | 1800 | 4495 | 55 | 4250 | 350 | 350 | 50 | 80 | 50 | 50 |
| 7171G2 | 900 | 7100 | 7100 | 7070 | 1800 | 4470 | 18.5 | 4250 | 300 | 300 | 50 | 80 | 50 | 50 |
| 7171H2 | 950 | 7100 | 7100 | 7070 | 1800 | 4470 | 22 | 4250 | 300 | 300 | 50 | 80 | 50 | 50 |
| 7171I2 | 1050 | 7100 | 7100 | 7070 | 1800 | 4470 | 30 | 4250 | 300 | 300 | 50 | 80 | 50 | 50 |
| 7171J2 | 1150 | 7100 | 7100 | 7070 | 1800 | 4470 | 37 | 4250 | 300 | 300 | 50 | 80 | 50 | 50 |
| 7171K2 | 1250 | 7100 | 7100 | 7120 | 1800 | 4495 | 45 | 4250 | 350 | 350 | 50 | 80 | 50 | 50 |
| 7171L2 | 1300 | 7100 | 7100 | 7120 | 1800 | 4495 | 55 | 4250 | 350 | 350 | 50 | 80 | 50 | 50 |
| 7676G2 | 1050 | 7600 | 7600 | 7070 | 1800 | 4470 | 18.5 | 4250 | 300 | 300 | 50 | 80 | 50 | 50 |
| 7676H2 | 1050 | 7600 | 7600 | 7070 | 1800 | 4470 | 22 | 4250 | 300 | 300 | 50 | 80 | 50 | 50 |
| 7676I2 | 1200 | 7600 | 7600 | 7070 | 1800 | 4470 | 30 | 4250 | 300 | 300 | 50 | 80 | 50 | 50 |
| 7676J2 | 1300 | 7600 | 7600 | 7120 | 1800 | 4470 | 37 | 4250 | 350 | 350 | 50 | 80 | 50 | 50 |
| 7676K2 | 1400 | 7600 | 7600 | 7120 | 1800 | 4470 | 45 | 4250 | 350 | 350 | 50 | 80 | 50 | 50 |
| 7676L2 | 1500 | 7600 | 7600 | 7120 | 1800 | 4470 | 55 | 4250 | 350 | 350 | 50 | 80 | 50 | 50 |

1 SIDE AIR INTAKE TOWER DESIGN

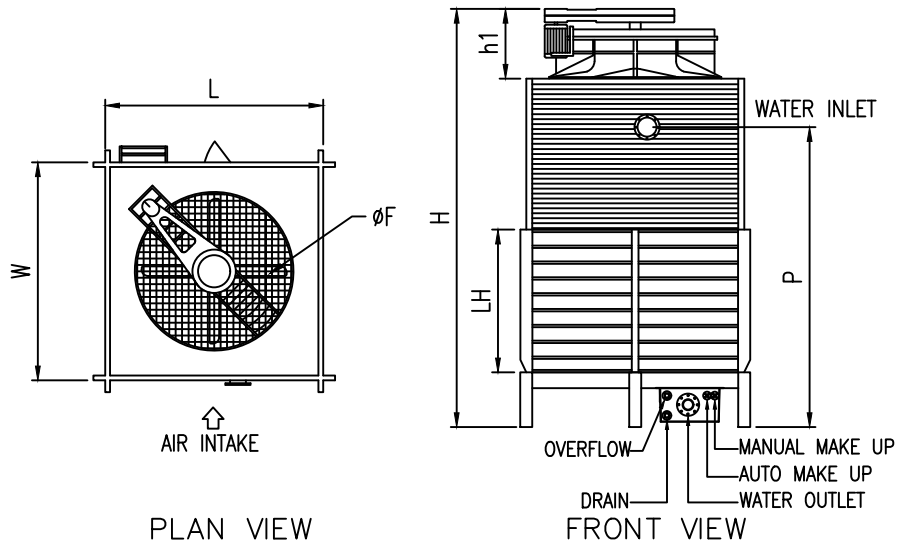
| MODEL | TONNAGE | TOWER DIMENSION (mm) | | | | | MOTOR | FAN DIAMETER | PIPING INFORMATION (mm) | | | | | |
|--------|---------|----------------------|------|------|------|------------------|-------|--------------|-------------------------|--------|-------|-----------|---------|--------|
| MT | HRT | L | W | H | LH | INLET HEIGHT (P) | kW | mm | INLET | OUTLET | DRAIN | OVER FLOW | MAKE UP | |
| | | | | | | | | | | | | | AUTO | MANUAL |
| 2121A1 | 95 | 2150 | 2150 | 4970 | 1600 | 3570 | 2.2 | 1700 | 100 | 100 | 50 | 50 | 25 | 25 |
| 2121B1 | 105 | 2150 | 2150 | 4995 | 1600 | 3582.5 | 3.7 | 1700 | 100 | 100 | 50 | 50 | 25 | 25 |
| 2121C1 | 130 | 2150 | 2150 | 4995 | 1600 | 3582.5 | 5.5 | 1700 | 125 | 125 | 50 | 50 | 25 | 25 |
| 2121D1 | 150 | 2150 | 2150 | 4995 | 1600 | 3582.5 | 7.5 | 1700 | 125 | 125 | 50 | 50 | 25 | 25 |
| 2727B1 | 150 | 2750 | 2750 | 5275 | 1800 | 3782.5 | 3.7 | 2000 | 125 | 125 | 50 | 50 | 25 | 25 |
| 2727C1 | 175 | 2750 | 2750 | 5300 | 1800 | 3795 | 5.5 | 2000 | 150 | 150 | 50 | 50 | 25 | 25 |
| 2727D1 | 200 | 2750 | 2750 | 5300 | 1800 | 3795 | 7.5 | 2000 | 150 | 150 | 50 | 50 | 25 | 25 |
| 2727E1 | 225 | 2750 | 2750 | 5350 | 1800 | 3820 | 11 | 2000 | 200 | 200 | 50 | 50 | 32 | 32 |
| 3131B1 | 200 | 3150 | 3150 | 5780 | 1800 | 4095 | 3.7 | 2180 | 150 | 150 | 50 | 50 | 25 | 25 |
| 3131C1 | 225 | 3150 | 3150 | 5830 | 1800 | 4120 | 5.5 | 2180 | 200 | 200 | 50 | 50 | 32 | 32 |
| 3131D1 | 250 | 3150 | 3150 | 5830 | 1800 | 4120 | 7.5 | 2180 | 200 | 200 | 50 | 50 | 32 | 32 |
| 3131E1 | 275 | 3150 | 3150 | 5830 | 1800 | 4120 | 11 | 2180 | 200 | 200 | 50 | 50 | 40 | 40 |
| 3333C1 | 275 | 3350 | 3350 | 6590 | 2300 | 4620 | 5.5 | 2750 | 200 | 200 | 50 | 50 | 40 | 40 |
| 3333D1 | 300 | 3350 | 3350 | 6590 | 2300 | 4620 | 7.5 | 2750 | 200 | 200 | 50 | 50 | 40 | 40 |
| 3333E1 | 325 | 3350 | 3350 | 6590 | 2300 | 4620 | 11 | 2750 | 200 | 200 | 50 | 50 | 40 | 40 |
| 3333F1 | 375 | 3350 | 3350 | 6590 | 2300 | 4620 | 15 | 2750 | 200 | 200 | 50 | 50 | 40 | 40 |
| 3535C1 | 275 | 3550 | 3550 | 6615 | 2300 | 4620 | 5.5 | 3050 | 200 | 200 | 50 | 50 | 50 | 50 |
| 3535D1 | 300 | 3550 | 3550 | 6615 | 2300 | 4620 | 7.5 | 3050 | 200 | 200 | 50 | 50 | 50 | 50 |
| 3535E1 | 350 | 3550 | 3550 | 6615 | 2300 | 4620 | 11 | 3050 | 200 | 200 | 50 | 50 | 50 | 50 |
| 3535F1 | 400 | 3550 | 3550 | 6615 | 2300 | 4620 | 15 | 3050 | 200 | 200 | 50 | 50 | 50 | 50 |

| MODEL | TONNAGE | TOWER DIMENSION (mm) | | | | | MOTOR | FAN DIAMETER | PIPING INFORMATION (mm) | | | | | |
|--------|---------|----------------------|------|------|------|------------------|-------|--------------|-------------------------|--------|-------|-----------|---------|--------|
| MT | HRT | L | W | H | LH | INLET HEIGHT (P) | kW | mm | INLET | OUTLET | DRAIN | OVER FLOW | MAKE UP | |
| | | | | | | | | | | | | | AUTO | MANUAL |
| 3939C1 | 325 | 3950 | 3950 | 6915 | 2300 | 4920 | 5.5 | 3050 | 200 | 200 | 50 | 50 | 50 | 50 |
| 3939D1 | 350 | 3950 | 3950 | 6915 | 2300 | 4920 | 7.5 | 3050 | 200 | 200 | 50 | 50 | 50 | 50 |
| 3939E1 | 400 | 3950 | 3950 | 6915 | 2300 | 4920 | 11 | 3050 | 200 | 200 | 50 | 50 | 50 | 50 |
| 3939F1 | 450 | 3950 | 3950 | 6915 | 2300 | 4920 | 15 | 3050 | 200 | 200 | 50 | 50 | 50 | 50 |
| 3939G1 | 475 | 3950 | 3950 | 6955 | 2300 | 4920 | 18.5 | 3350 | 200 | 200 | 50 | 50 | 50 | 50 |
| 4343C1 | 350 | 4350 | 4350 | 6915 | 2300 | 4920 | 5.5 | 3050 | 200 | 200 | 50 | 50 | 50 | 50 |
| 4343D1 | 400 | 4350 | 4350 | 6915 | 2300 | 4920 | 7.5 | 3050 | 200 | 200 | 50 | 50 | 50 | 50 |
| 4343E1 | 450 | 4350 | 4350 | 6915 | 2300 | 4920 | 11 | 3050 | 200 | 200 | 50 | 50 | 50 | 50 |
| 4343F1 | 500 | 4350 | 4350 | 6965 | 2300 | 4945 | 15 | 3050 | 250 | 250 | 50 | 50 | 50 | 50 |
| 4343G1 | 550 | 4350 | 4350 | 7005 | 2300 | 4945 | 18.5 | 3350 | 250 | 250 | 50 | 50 | 50 | 50 |
| 4848D1 | 450 | 4800 | 4800 | 7105 | 2300 | 4920 | 7.5 | 3350 | 200 | 200 | 50 | 50 | 50 | 50 |
| 4848E1 | 500 | 4800 | 4800 | 7155 | 2300 | 4945 | 11 | 3350 | 250 | 250 | 50 | 50 | 50 | 50 |
| 4848F1 | 550 | 4800 | 4800 | 7155 | 2300 | 4945 | 15 | 3350 | 250 | 250 | 50 | 50 | 50 | 50 |
| 4848G1 | 600 | 4800 | 4800 | 7155 | 2300 | 4945 | 18.5 | 3350 | 250 | 250 | 50 | 50 | 50 | 50 |
| 4848H1 | 650 | 4800 | 4800 | 7155 | 2300 | 4945 | 22 | 3350 | 250 | 250 | 50 | 50 | 50 | 50 |
| 5151D1 | 500 | 5100 | 5100 | 7170 | 2300 | 4945 | 7.5 | 3650 | 250 | 250 | 50 | 50 | 50 | 50 |
| 5151E1 | 550 | 5100 | 5100 | 7170 | 2300 | 4945 | 11 | 3650 | 250 | 250 | 50 | 50 | 50 | 50 |
| 5151F1 | 600 | 5100 | 5100 | 7170 | 2300 | 4945 | 15 | 3650 | 250 | 250 | 50 | 50 | 50 | 50 |
| 5151G1 | 650 | 5100 | 5100 | 7170 | 2300 | 4945 | 18.5 | 3650 | 250 | 250 | 50 | 50 | 50 | 50 |
| 5151H1 | 700 | 5100 | 5100 | 7170 | 2300 | 4945 | 22 | 3800 | 250 | 250 | 50 | 50 | 50 | 50 |
| 5151I1 | 775 | 5100 | 5100 | 7170 | 2300 | 4945 | 30 | 3800 | 250 | 250 | 50 | 50 | 50 | 50 |

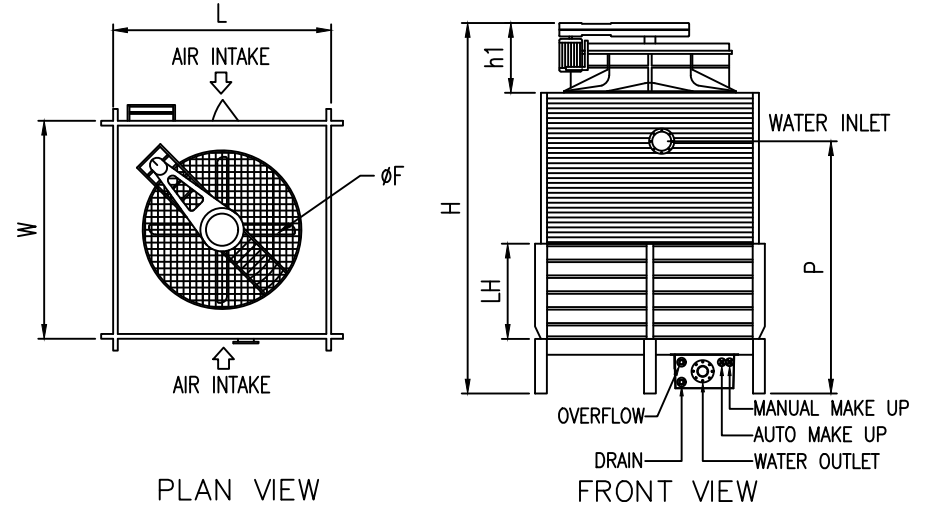
| MODEL | TONNAGE | TOWER DIMENSION (mm) | | | | | MOTOR | FAN DIAMETER | PIPING INFORMATION (mm) | | | | | |
|--------|---------|----------------------|------|------|------|------------------|-------|--------------|-------------------------|--------|-------|-----------|---------|--------|
| MT | HRT | L | W | H | LH | INLET HEIGHT (P) | kW | mm | INLET | OUTLET | DRAIN | OVER FLOW | MAKE UP | |
| | | | | | | | | | | | | | AUTO | MANUAL |
| 5454E1 | 600 | 5400 | 5400 | 7170 | 2300 | 4945 | 11 | 4000 | 250 | 250 | 50 | 50 | 50 | 50 |
| 5454F1 | 650 | 5400 | 5400 | 7170 | 2300 | 4945 | 15 | 4000 | 250 | 250 | 50 | 50 | 50 | 50 |
| 5454G1 | 700 | 5400 | 5400 | 7170 | 2300 | 4945 | 18.5 | 4000 | 250 | 250 | 50 | 50 | 50 | 50 |
| 5454H1 | 750 | 5400 | 5400 | 7170 | 2300 | 4945 | 22 | 4000 | 250 | 250 | 50 | 50 | 50 | 50 |
| 5454I1 | 800 | 5400 | 5400 | 7220 | 2300 | 4970 | 30 | 4000 | 300 | 300 | 50 | 80 | 50 | 50 |
| 5454J1 | 900 | 5400 | 5400 | 7220 | 2300 | 4970 | 37 | 4000 | 300 | 300 | 50 | 80 | 50 | 50 |
| 5757E1 | 650 | 5700 | 5700 | 7170 | 2300 | 4945 | 11 | 4000 | 250 | 250 | 50 | 50 | 50 | 50 |
| 5757F1 | 700 | 5700 | 5700 | 7170 | 2300 | 4945 | 15 | 4000 | 250 | 250 | 50 | 50 | 50 | 50 |
| 5757G1 | 750 | 5700 | 5700 | 7170 | 2300 | 4945 | 18.5 | 4000 | 250 | 250 | 50 | 50 | 50 | 50 |
| 5757H1 | 800 | 5700 | 5700 | 7220 | 2300 | 4970 | 22 | 4000 | 300 | 300 | 50 | 80 | 50 | 50 |
| 5757I1 | 850 | 5700 | 5700 | 7220 | 2300 | 4970 | 30 | 4000 | 300 | 300 | 50 | 80 | 50 | 50 |
| 5757J1 | 950 | 5700 | 5700 | 7220 | 2300 | 4970 | 37 | 4000 | 300 | 300 | 50 | 80 | 50 | 50 |
| 6060F1 | 750 | 6000 | 6000 | 7170 | 2300 | 4945 | 15 | 4250 | 250 | 250 | 50 | 50 | 50 | 50 |
| 6060G1 | 800 | 6000 | 6000 | 7220 | 2300 | 4970 | 18.5 | 4250 | 300 | 300 | 50 | 80 | 50 | 50 |
| 6060H1 | 850 | 6000 | 6000 | 7220 | 2300 | 4970 | 22 | 4250 | 300 | 300 | 50 | 80 | 50 | 50 |
| 6060I1 | 950 | 6000 | 6000 | 7220 | 2300 | 4970 | 30 | 4250 | 300 | 300 | 50 | 80 | 50 | 50 |
| 6060J1 | 1000 | 6000 | 6000 | 7220 | 2300 | 4970 | 37 | 4250 | 300 | 300 | 50 | 80 | 50 | 50 |
| 6060K1 | 1050 | 6000 | 6000 | 7220 | 2300 | 4970 | 45 | 4250 | 300 | 300 | 50 | 80 | 50 | 50 |

| MODEL | TONNAGE | TOWER DIMENSION (mm) | | | | | MOTOR | FAN DIAMETER | PIPING INFORMATION (mm) | | | | | |
|--------|---------|----------------------|------|------|------|------------------|-------|--------------|-------------------------|--------|-------|-----------|---------|--------|
| MT | HRT | L | W | H | LH | INLET HEIGHT (P) | kW | mm | INLET | OUTLET | DRAIN | OVER FLOW | MAKE UP | |
| | | | | | | | | | | | | | AUTO | MANUAL |
| 6666G1 | 850 | 6600 | 6600 | 7570 | 2300 | 4970 | 18.5 | 4250 | 300 | 300 | 50 | 80 | 50 | 50 |
| 6666H1 | 900 | 6600 | 6600 | 7570 | 2300 | 4970 | 22 | 4250 | 300 | 300 | 50 | 80 | 50 | 50 |
| 6666I1 | 1000 | 6600 | 6600 | 7570 | 2300 | 4970 | 30 | 4250 | 300 | 300 | 50 | 80 | 50 | 50 |
| 6666J1 | 1100 | 6600 | 6600 | 7570 | 2300 | 4970 | 37 | 4250 | 300 | 300 | 50 | 80 | 50 | 50 |
| 6666K1 | 1150 | 6600 | 6600 | 7570 | 2300 | 4970 | 45 | 4250 | 300 | 300 | 50 | 80 | 50 | 50 |
| 6666L1 | 1250 | 6600 | 6600 | 7620 | 2300 | 4995 | 55 | 4250 | 350 | 350 | 50 | 80 | 50 | 50 |
| 7171G1 | 900 | 7100 | 7100 | 7570 | 2300 | 4970 | 18.5 | 4250 | 300 | 300 | 50 | 80 | 50 | 50 |
| 7171H1 | 950 | 7100 | 7100 | 7570 | 2300 | 4970 | 22 | 4250 | 300 | 300 | 50 | 80 | 50 | 50 |
| 7171I1 | 1050 | 7100 | 7100 | 7570 | 2300 | 4970 | 30 | 4250 | 300 | 300 | 50 | 80 | 50 | 50 |
| 7171J1 | 1150 | 7100 | 7100 | 7570 | 2300 | 4970 | 37 | 4250 | 300 | 300 | 50 | 80 | 50 | 50 |
| 7171K1 | 1250 | 7100 | 7100 | 7620 | 2300 | 4995 | 45 | 4250 | 350 | 350 | 50 | 80 | 50 | 50 |
| 7171L1 | 1300 | 7100 | 7100 | 7620 | 2300 | 4995 | 55 | 4250 | 350 | 350 | 50 | 80 | 50 | 50 |
| 7676G1 | 1050 | 7600 | 7600 | 7770 | 2500 | 5170 | 18.5 | 4250 | 300 | 300 | 50 | 80 | 50 | 50 |
| 7676H1 | 1050 | 7600 | 7600 | 7770 | 2500 | 5170 | 22 | 4250 | 300 | 300 | 50 | 80 | 50 | 50 |
| 7676I1 | 1200 | 7600 | 7600 | 7770 | 2500 | 5170 | 30 | 4250 | 300 | 300 | 50 | 80 | 50 | 50 |
| 7676J1 | 1300 | 7600 | 7600 | 7820 | 2500 | 5170 | 37 | 4250 | 350 | 350 | 50 | 80 | 50 | 50 |
| 7676K1 | 1400 | 7600 | 7600 | 7820 | 2500 | 5170 | 45 | 4250 | 350 | 350 | 50 | 80 | 50 | 50 |
| 7676L1 | 1500 | 7600 | 7600 | 7820 | 2500 | 5170 | 55 | 4250 | 350 | 350 | 50 | 80 | 50 | 50 |

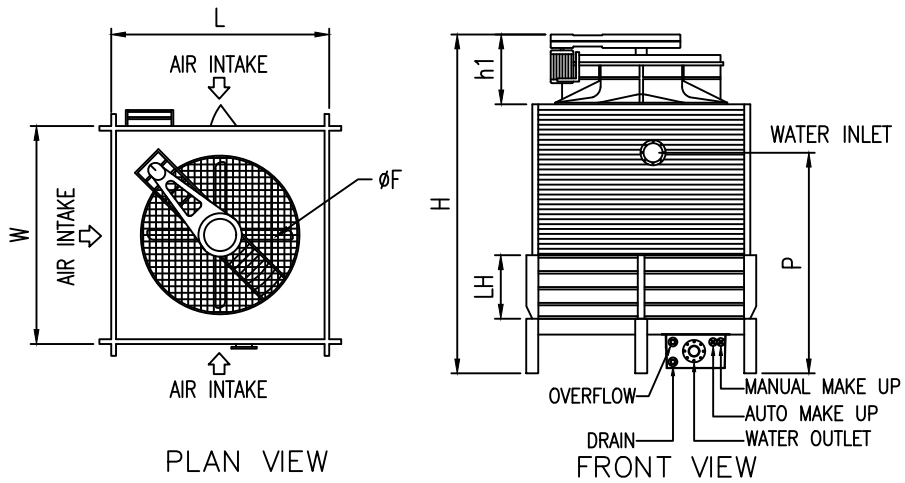
1 SIDE AIR INTAKE



2 SIDES AIR INTAKE



3 SIDES AIR INTAKE



4 SIDES AIR INTAKE

