

# MX SERIES CROSS FLOW COOLING TOWER



**CERTIFIED PERFORMANCE • DURABLE • ENERGY & SPACE SAVING**

## GENIUS COOLING TOWER SDN BHD

No. 35-2, 35-3, Jalan Puteri 4/1,  
Bandar Puteri, 47100 Puchong,  
Selangor, Malaysia.

CTI VALIDATION NO. C67B-16R00

### DESIGN INFORMATION

MODEL DEFINATION FOR MX2950F-1BI

MX	2950	F	1	B	I
CROSS FLOW TYPE	BOX SIZE	MOTOR SIZE	NO. OF CELLS	B - BELT & PULLEY G - GEAR REDUCER	I - INTERNAL PIPING M- MODIFICATION(NON CTI) S-SUPER LOW NOISE

MODEL	TOWER DIMENSION (mm)				MOTOR kW	FAN DIAMETER F (mm)	PIPING INFORMATION (mm)							WEIGHT (KG)	
	L	W	h	H			INTERNAL PIPING	EXTERNAL PIPING	OUTLET	DRAIN	OVER FLOW	MAKE UP		DRY WEIGHT	OPERATING WEIGHT
												AUTO	MANUAL		
2342A	2320	5020	3380	4260	2.2	2000	150	125 x 2	200 x 1	50 x 1	80 x 1	50 x 1	50 x 1	2918	8653
2342B	2320	5020	3380	4260	3.7	2000	150	125 x 2	200 x 1	50 x 1	80 x 1	50 x 1	50 x 1	2924	8659
2342C	2320	5020	3380	4260	5.5	2000	150	125 x 2	200 x 1	50 x 1	80 x 1	50 x 1	50 x 1	2949	8668
2342D	2320	5020	3380	4260	7.5	2000	150	125 x 2	200 x 1	50 x 1	80 x 1	50 x 1	50 x 1	2958	8719
2342E	2320	5020	3380	4260	11	2000	150	125 x 2	200 x 1	50 x 1	80 x 1	50 x 1	50 x 1	3009	8742
2342F	2320	5020	3380	4260	15	2000	150	125 x 2	200 x 1	50 x 1	80 x 1	50 x 1	50 x 1	3032	8774
2348A	2320	5020	3980	4860	2.2	2000	150	125 x 2	200 x 1	50 x 1	80 x 1	50 x 1	50 x 1	3009	8744
2348B	2320	5020	3980	4860	3.7	2000	150	125 x 2	200 x 1	50 x 1	80 x 1	50 x 1	50 x 1	3015	8750
2348C	2320	5020	3980	4860	5.5	2000	150	125 x 2	200 x 1	50 x 1	80 x 1	50 x 1	50 x 1	3040	8759
2348D	2320	5020	3980	4860	7.5	2000	150	125 x 2	200 x 1	50 x 1	80 x 1	50 x 1	50 x 1	3049	8810
2348E	2320	5020	3980	4860	11	2000	150	125 x 2	200 x 1	50 x 1	80 x 1	50 x 1	50 x 1	3100	8833
2348F	2320	5020	3980	4860	15	2000	150	125 x 2	200 x 1	50 x 1	80 x 1	50 x 1	50 x 1	3123	8865
2650B	2620	5520	3980	5040	3.7	2400	150	125 x 2	200 x 1	50 x 1	80 x 1	50 x 1	50 x 1	3065	8775
2650C	2620	5520	3980	5040	5.5	2400	150	125 x 2	200 x 1	50 x 1	80 x 1	50 x 1	50 x 1	3090	8800
2650D	2620	5520	3980	5040	7.5	2400	150	125 x 2	200 x 1	50 x 1	80 x 1	50 x 1	50 x 1	3099	8809
2650E	2620	5520	3980	5040	11	2400	200	150 x 2	200 x 1	50 x 1	80 x 1	50 x 1	50 x 1	3150	8860
2650F	2620	5520	3980	5040	15	2400	200	150 x 2	250 x 1	50 x 1	80 x 1	50 x 1	50 x 1	3173	8883
2650G	2620	5520	3980	5040	18.5	2400	200	150 x 2	250 x 1	50 x 1	80 x 1	50 x 1	50 x 1	3205	8915
2656B	2620	5520	4580	5640	3.7	2400	150	125 x 2	200 x 1	50 x 1	80 x 1	50 x 1	50 x 1	3169	8879
2656C	2620	5520	4580	5640	5.5	2400	150	125 x 2	200 x 1	50 x 1	80 x 1	50 x 1	50 x 1	3194	8904
2656D	2620	5520	4580	5640	7.5	2400	150	125 x 2	200 x 1	50 x 1	80 x 1	50 x 1	50 x 1	3203	8913
2656E	2620	5520	4580	5640	11	2400	200	150 x 2	250 x 1	50 x 1	80 x 1	50 x 1	50 x 1	3254	8964
2656F	2620	5520	4580	5640	15	2400	200	150 x 2	250 x 1	50 x 1	80 x 1	50 x 1	50 x 1	3277	8987
2656G	2620	5520	4580	5640	18.5	2400	200	150 x 2	250 x 1	50 x 1	80 x 1	50 x 1	50 x 1	3309	9019

MODEL	TOWER DIMENSION (mm)				MOTOR kW	FAN DIAMETER F (mm)	PIPING INFORMATION (mm)							WEIGHT (KG)	
	L	W	h	H			INTERNAL PIPING	EXTERNAL PIPING	OUTLET	DRAIN	OVER FLOW	MAKE UP		DRY WEIGHT	OPERATING WEIGHT
												AUTO	MANUAL		
2950C	2900	5520	3980	5040	5.5	2400	200	150 x 2	200 x 1	50 x 1	80 x 1	50 x 1	50 x 1	3767	9827
2950D	2900	5520	3980	5040	7.5	2400	200	150 x 2	200 x 1	50 x 1	80 x 1	50 x 1	50 x 1	3776	9836
2950E	2900	5520	3980	5040	11	2400	200	150 x 2	250 x 1	50 x 1	80 x 1	50 x 1	50 x 1	3827	9887
2950F	2900	5520	3980	5040	15	2400	200	150 x 2	250 x 1	50 x 1	80 x 1	50 x 1	50 x 1	3850	9910
2950G	2900	5520	3980	5040	18.5	2400	200	150 x 2	250 x 1	50 x 1	80 x 1	50 x 1	50 x 1	3882	9942
2950H	2900	5520	3980	5040	22	2400	200	150 x 2	250 x 1	50 x 1	80 x 1	50 x 1	50 x 1	3905	9965
2956C	2900	5520	4580	5640	5.5	2400	200	150 x 2	200 x 1	50 x 1	80 x 1	50 x 1	50 x 1	3883	9943
2956D	2900	5520	4580	5640	7.5	2400	200	150 x 2	200 x 1	50 x 1	80 x 1	50 x 1	50 x 1	3892	9952
2956E	2900	5520	4580	5640	11	2400	200	150 x 2	250 x 1	50 x 1	80 x 1	50 x 1	50 x 1	3943	10003
2956F	2900	5520	4580	5640	15	2400	200	150 x 2	250 x 1	50 x 1	80 x 1	50 x 1	50 x 1	3966	10026
2956G	2900	5520	4580	5640	18.5	2400	200	150 x 2	250 x 1	50 x 1	80 x 1	50 x 1	50 x 1	3998	10058
2956H	2900	5520	4580	5640	22	2400	200	150 x 2	250 x 1	50 x 1	80 x 1	50 x 1	50 x 1	4021	10081
3253D	3260	6030	3980	5300	7.5	2750	200	150 x 2	200 x 1	50 x 1	80 x 1	50 x 1	50 x 1	3844	11694
3253E	3260	6030	3980	5300	11	2750	200	150 x 2	250 x 1	50 x 1	80 x 1	50 x 1	50 x 1	3895	11745
3253F	3260	6030	3980	5300	15	2750	200	150 x 2	250 x 1	50 x 1	80 x 1	50 x 1	50 x 1	3918	11768
3253G	3260	6030	3980	5300	18.5	2750	200	150 x 2	250 x 1	50 x 1	80 x 1	50 x 1	50 x 1	3950	11800
3253H	3260	6030	3980	5300	22	2750	200	150 x 2	250 x 1	50 x 1	80 x 1	50 x 1	50 x 1	3973	11823
3253I	3230	6030	3980	5300	30	2750	200	150 x 2	300 x 1	50 x 1	80 x 1	50 x 1	50 x 1	4060	11910
3259D	3260	6030	4580	5900	7.5	2750	200	150 x 2	250 x 1	50 x 1	80 x 1	50 x 1	50 x 1	3976	11826
3259E	3260	6030	4580	5900	11	2750	200	150 x 2	250 x 1	50 x 1	80 x 1	50 x 1	50 x 1	4027	11877
3259F	3260	6030	4580	5900	15	2750	200	150 x 2	250 x 1	50 x 1	80 x 1	50 x 1	50 x 1	4050	11900
3259G	3260	6030	4580	5900	18.5	2750	250	200 x 2	300 x 1	50 x 1	80 x 1	50 x 1	50 x 1	4082	11932
3259H	3260	6030	4580	5900	22	2750	250	200 x 2	300 x 1	50 x 1	80 x 1	50 x 1	50 x 1	4105	11955
3259I	3260	6030	4580	5900	30	2750	250	200 x 2	300 x 1	50 x 1	80 x 1	50 x 1	50 x 1	4192	12042

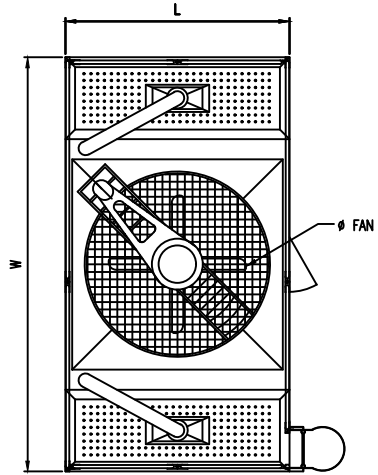
MODEL	TOWER DIMENSION (mm)				MOTOR kW	FAN DIAMETER F (mm)	PIPING INFORMATION (mm)							WEIGHT (KG)	
	L	W	h	H			INTERNAL PIPING	EXTERNAL PIPING	OUTLET	DRAIN	OVER FLOW	MAKE UP		DRY WEIGHT	OPERATING WEIGHT
												AUTO	MANUAL		
3265D	3260	6030	5180	6500	7.5	2750	200	150 x 2	250 x 1	50 x 1	80 x 1	50 x 1	50 x 1	4108	11958
3265E	3260	6030	5180	6500	11	2750	200	150 x 2	250 x 1	50 x 1	80 x 1	50 x 1	50 x 1	4159	12009
3265F	3260	6030	5180	6500	15	2750	200	150 x 2	250 x 1	50 x 1	80 x 1	50 x 1	50 x 1	4182	12032
3265G	3260	6030	5180	6500	18.5	2750	250	200 x 2	300 x 1	50 x 1	80 x 1	50 x 1	50 x 1	4214	12064
3265H	3260	6030	5180	6500	22	2750	250	200 x 2	300 x 1	50 x 1	80 x 1	50 x 1	50 x 1	4237	12087
3265I	3260	6030	5180	6500	30	2750	250	200 x 2	300 x 1	50 x 1	80 x 1	50 x 1	50 x 1	4324	12174
3658E	3645	6470	4580	5875	11	3050	250	200 x 2	250 x 1	50 x 1	80 x 1	50 x 1	50 x 1	4535	13125
3658F	3645	6470	4580	5875	15	3050	250	200 x 2	250 x 1	50 x 1	80 x 1	50 x 1	50 x 1	4558	13148
3658G	3645	6470	4580	5875	18.5	3050	250	200 x 2	300 x 1	50 x 1	80 x 1	50 x 1	50 x 1	4590	13180
3658H	3645	6470	4580	5875	22	3050	250	200 x 2	300 x 1	50 x 1	80 x 1	50 x 1	50 x 1	4613	13203
3658I	3645	6470	4580	5875	30	3050	250	200 x 2	300 x 1	50 x 1	80 x 1	50 x 1	50 x 1	4700	13290
3658J	3645	6470	4580	5875	37	3050	250	200 x 2	300 x 1	50 x 1	80 x 1	50 x 1	50 x 1	4753	13343
3664E	3645	6470	5180	6475	11	3050	250	200 x 2	250 x 1	50 x 1	80 x 1	50 x 1	50 x 1	4684	13274
3664F	3645	6470	5180	6475	15	3050	250	200 x 2	300 x 1	50 x 1	80 x 1	50 x 1	50 x 1	4707	13297
3664G	3645	6470	5180	6475	18.5	3050	250	200 x 2	300 x 1	50 x 1	80 x 1	50 x 1	50 x 1	4739	13329
3664H	3645	6470	5180	6475	22	3050	250	200 x 2	300 x 1	50 x 1	80 x 1	50 x 1	50 x 1	4762	13352
3664I	3645	6470	5180	6475	30	3050	250	200 x 2	300 x 1	50 x 1	80 x 1	50 x 1	50 x 1	4849	13439
3664J	3645	6470	5180	6475	37	3050	250	200 x 2	300 x 1	50 x 1	80 x 1	50 x 1	50 x 1	4902	13492
3670E	3645	6470	5780	7075	11	3050	250	200 x 2	250 x 1	50 x 1	80 x 1	50 x 1	50 x 1	4833	13423
3670F	3645	6470	5780	7075	15	3050	250	200 x 2	300 x 1	50 x 1	80 x 1	50 x 1	50 x 1	4856	13446
3670G	3645	6470	5780	7075	18.5	3050	250	200 x 2	300 x 1	50 x 1	80 x 1	50 x 1	50 x 1	4888	13478
3670H	3645	6470	5780	7075	22	3050	250	200 x 2	300 x 1	50 x 1	80 x 1	50 x 1	50 x 1	4911	13501
3670I	3645	6470	5780	7075	30	3050	250	200 x 2	300 x 1	50 x 1	80 x 1	50 x 1	50 x 1	4998	13588
3670J	3645	6470	5780	7075	37	3050	250	200 x 2	300 x 1	50 x 1	80 x 1	50 x 1	50 x 1	5051	13641

MODEL	TOWER DIMENSION (mm)				MOTOR kW	FAN DIAMETER F (mm)	PIPING INFORMATION (mm)							WEIGHT (KG)	
	L	W	h	H			INTERNAL PIPING	EXTERNAL PIPING	OUTLET	DRAIN	OVER FLOW	MAKE UP		DRY WEIGHT	OPERATI NG WEIGHT
												AUTO	MANUAL		
3959E	3920	6790	4580	5915	11	3350	250	200 x 2	300 x 1	50 x 1	80 x 1	50 x 1	50 x 1	5358	14288
3959F	3920	6790	4580	5915	15	3350	250	200 x 2	300 x 1	50 x 1	80 x 1	50 x 1	50 x 1	5381	14311
3959G	3920	6790	4580	5915	18.5	3350	250	200 x 2	300 x 1	50 x 1	80 x 1	50 x 1	50 x 1	5413	14343
3959H	3920	6790	4580	5915	22	3350	250	200 x 2	300 x 1	50 x 1	80 x 1	50 x 1	50 x 1	5436	14366
3959I	3920	6790	4580	5915	30	3350	250	200 x 2	300 x 1	50 x 1	80 x 1	50 x 1	50 x 1	5523	14453
3959J	3920	6790	4580	5915	37	3350	250	200 x 2	300 x 1	50 x 1	80 x 1	50 x 1	50 x 1	5576	14506
3959K	3920	6790	4580	5915	45	3350	250	200 x 2	300 x 1	50 x 1	80 x 1	50 x 1	50 x 1	5600	14530
3965E	3920	6790	5180	6515	11	3350	250	200 x 2	300 x 1	50 x 1	80 x 1	50 x 1	50 x 1	5519	14449
3965F	3920	6790	5180	6515	15	3350	250	200 x 2	300 x 1	50 x 1	80 x 1	50 x 1	50 x 1	5542	14472
3965G	3920	6790	5180	6515	18.5	3350	250	200 x 2	300 x 1	50 x 1	80 x 1	50 x 1	50 x 1	5574	14504
3965H	3920	6790	5180	6515	22	3350	250	200 x 2	300 x 1	50 x 1	80 x 1	50 x 1	50 x 1	5597	14527
3965I	3920	6790	5180	6515	30	3350	250	200 x 2	300 x 1	50 x 1	80 x 1	50 x 1	50 x 1	5684	14614
3965J	3920	6790	5180	6515	37	3350	250	200 x 2	300 x 1	50 x 1	80 x 1	50 x 1	50 x 1	5737	14667
3965K	3920	6790	5180	6515	45	3350	250	200 x 2	300 x 1	50 x 1	80 x 1	50 x 1	50 x 1	5761	14691
3971F	3920	6790	5780	7115	15	3350	250	200 x 2	300 x 1	50 x 1	80 x 1	50 x 1	50 x 1	5703	14633
3971G	3920	6790	5780	7115	18.5	3350	250	200 x 2	300 x 1	50 x 1	80 x 1	50 x 1	50 x 1	5735	14665
3971H	3920	6790	5780	7115	22	3350	250	200 x 2	300 x 1	50 x 1	80 x 1	50 x 1	50 x 1	5758	14688
3971I	3920	6790	5780	7115	30	3350	250	200 x 2	300 x 1	50 x 1	80 x 1	50 x 1	50 x 1	5845	14775
3971J	3920	6790	5780	7115	37	3350	250	200 x 2	300 x 1	50 x 1	80 x 1	50 x 1	50 x 1	5898	14828
3971K	3920	6790	5780	7115	45	3350	250	200 x 2	300 x 1	50 x 1	80 x 1	50 x 1	50 x 1	5922	14852
4359F	4370	7220	4580	5930	15	3650	250	200 x 2	300 x 1	50 x 1	80 x 1	50 x 1	50 x 1	7301	16751
4359G	4370	7220	4580	5930	18.5	3650	250	200 x 2	300 x 1	50 x 1	80 x 1	50 x 1	50 x 1	7333	16783
4359H	4370	7220	4580	5930	22	3650	250	200 x 2	300 x 1	50 x 1	80 x 1	50 x 1	50 x 1	7356	16806
4359I	4370	7220	4580	5930	30	3650	250	200 x 2	300 x 1	50 x 1	80 x 1	50 x 1	50 x 1	7443	16893
4359J	4370	7220	4580	5930	37	3650	250	200 x 2	300 x 1	50 x 1	80 x 1	50 x 1	50 x 1	7496	16946
4359K	4370	7220	4580	5930	45	3650	250	200 x 2	300 x 1	50 x 1	80 x 1	50 x 1	50 x 1	7520	16970
4359L	4370	7220	4580	5930	55	3650	250	200 x 2	300 x 1	50 x 1	80 x 1	50 x 1	50 x 1	7648	17098

MODEL	TOWER DIMENSION (mm)				MOTOR kW	FAN DIAMETER F (mm)	PIPING INFORMATION (mm)							WEIGHT (KG)	
	L	W	h	H			INTERNAL PIPING	EXTERNAL PIPING	OUTLET	DRAIN	OVER FLOW	MAKE UP		DRY WEIGHT	OPERATING WEIGHT
												AUTO	MANUAL		
4365F	4370	7220	5180	6530	15	3650	250	200 x 2	300 x 1	50 x 1	80 x 1	50 x 1	50 x 1	7481	16931
4365G	4370	7220	5180	6530	18.5	3650	250	200 x 2	300 x 1	50 x 1	80 x 1	50 x 1	50 x 1	7513	16963
4365H	4370	7220	5180	6530	22	3650	250	200 x 2	300 x 1	50 x 1	80 x 1	50 x 1	50 x 1	7536	16986
4365I	4370	7220	5180	6530	30	3650	250	200 x 2	300 x 1	50 x 1	80 x 1	50 x 1	50 x 1	7623	17073
4365J	4370	7220	5180	6530	37	3650	250	200 x 2	300 x 1	50 x 1	80 x 1	50 x 1	50 x 1	7676	17126
4365K	4370	7220	5180	6530	45	3650	250	200 x 2	300 x 1	50 x 1	80 x 1	50 x 1	50 x 1	7700	17150
4365L	4370	7220	5180	6530	55	3650	250	200 x 2	350 x 1	50 x 1	80 x 1	50 x 1	50 x 1	7828	17278
4371F	4370	7220	5780	7130	15	3650	250	200 x 2	300 x 1	50 x 1	80 x 1	50 x 1	50 x 1	7661	17111
4371G	4370	7220	5780	7130	18.5	3650	250	200 x 2	300 x 1	50 x 1	80 x 1	50 x 1	50 x 1	7693	17143
4371H	4370	7220	5780	7130	22	3650	250	200 x 2	300 x 1	50 x 1	80 x 1	50 x 1	50 x 1	7716	17166
4371I	4370	7220	5780	7130	30	3650	250	200 x 2	300 x 1	50 x 1	80 x 1	50 x 1	50 x 1	7803	17253
4371J	4370	7220	5780	7130	37	3650	250	200 x 2	300 x 1	50 x 1	80 x 1	50 x 1	50 x 1	7856	17306
4371K	4370	7220	5780	7130	45	3650	250	200 x 2	350 x 1	50 x 1	80 x 1	50 x 1	50 x 1	7880	17330
4371L	4370	7220	5780	7130	55	3650	250	200 x 2	350 x 1	50 x 1	80 x 1	50 x 1	50 x 1	8008	17458
4377F	4370	7220	6380	7730	15	3650	250	200 x 2	300 x 1	50 x 1	80 x 1	50 x 1	50 x 1	7842	17292
4377G	4370	7220	6380	7730	18.5	3650	250	200 x 2	300 x 1	50 x 1	80 x 1	50 x 1	50 x 1	7874	17324
4377H	4370	7220	6380	7730	22	3650	250	200 x 2	300 x 1	50 x 1	80 x 1	50 x 1	50 x 1	7897	17347
4377I	4370	7220	6380	7730	30	3650	250	200 x 2	300 x 1	50 x 1	80 x 1	50 x 1	50 x 1	7984	17434
4377J	4370	7220	6380	7730	37	3650	250	200 x 2	300 x 1	50 x 1	80 x 1	50 x 1	50 x 1	8037	17487
4377K	4370	7220	6380	7730	45	3650	250	200 x 2	350 x 1	50 x 1	80 x 1	50 x 1	50 x 1	8061	17511
4377L	4370	7220	6380	7730	55	3650	250	200 x 2	350 x 1	50 x 1	80 x 1	50 x 1	50 x 1	8189	17639
4759G	4720	7460	4580	5930	18.5	4000	250	200 x 2	300 x 1	50 x 1	80 x 1	50 x 1	50 x 1	7526	21326
4759H	4720	7460	4580	5930	22	4000	250	200 x 2	300 x 1	50 x 1	80 x 1	50 x 1	50 x 1	7549	21349
4759I	4720	7460	4580	5930	30	4000	250	200 x 2	300 x 1	50 x 1	80 x 1	50 x 1	50 x 1	7636	21436
4759J	4720	7460	4580	5930	37	4000	250	200 x 2	300 x 1	50 x 1	80 x 1	50 x 1	50 x 1	7689	21489
4759K	4720	7460	4580	5930	45	4000	250	200 x 2	300 x 1	50 x 1	80 x 1	50 x 1	50 x 1	7713	21513
4759L	4720	7460	4580	5930	55	4000	250	200 x 2	350 x 1	50 x 1	80 x 1	50 x 1	50 x 1	7841	21641

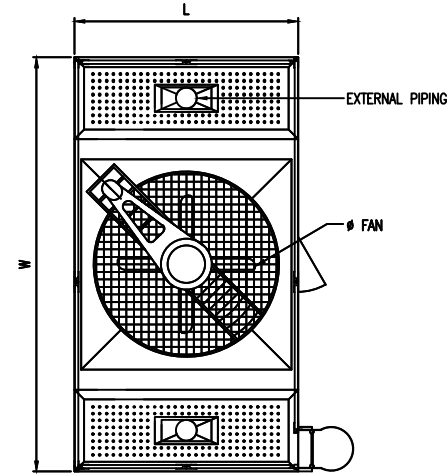
MODEL	TOWER DIMENSION (mm)				MOTOR kW	FAN DIAMETER F (mm)	PIPING INFORMATION (mm)							WEIGHT (KG)	
	L	W	h	H			INTERNAL PIPING	EXTERNAL PIPING	OUTLET	DRAIN	OVER FLOW	MAKE UP		DRY WEIGHT	OPERATING WEIGHT
												AUTO	MANUAL		
4765G	4720	7460	5180	6530	18.5	4000	250	200 x 2	300 x 1	50 x 1	80 x 1	50 x 1	50 x 1	7722	21522
4765H	4720	7460	5180	6530	22	4000	250	200 x 2	300 x 1	50 x 1	80 x 1	50 x 1	50 x 1	7745	21545
4765I	4720	7460	5180	6530	30	4000	250	200 x 2	300 x 1	50 x 1	80 x 1	50 x 1	50 x 1	7832	21632
4765J	4720	7460	5180	6530	37	4000	250	200 x 2	300 x 1	50 x 1	80 x 1	50 x 1	50 x 1	7885	21685
4765K	4720	7460	5180	6530	45	4000	250	200 x 2	350 x 1	50 x 1	80 x 1	50 x 1	50 x 1	7909	21709
4765L	4720	7460	5180	6530	55	4000	250	200 x 2	350 x 1	50 x 1	80 x 1	50 x 1	50 x 1	8037	21837
4771G	4720	7460	5780	7130	18.5	4000	250	200 x 2	300 x 1	50 x 1	80 x 1	50 x 1	50 x 1	7917	21717
4771H	4720	7460	5780	7130	22	4000	250	200 x 2	300 x 1	50 x 1	80 x 1	50 x 1	50 x 1	7940	21740
4771I	4720	7460	5780	7130	30	4000	250	200 x 2	300 x 1	50 x 1	80 x 1	50 x 1	50 x 1	8027	21827
4771J	4720	7460	5780	7130	37	4000	250	200 x 2	300 x 1	50 x 1	80 x 1	50 x 1	50 x 1	8080	21880
4771K	4720	7460	5780	7130	45	4000	250	200 x 2	350 x 1	50 x 1	80 x 1	50 x 1	50 x 1	8104	21904
4771L	4720	7460	5780	7130	55	4000	250	200 x 2	350 x 1	50 x 1	80 x 1	50 x 1	50 x 1	8232	22032
4777G	4720	7460	6380	7730	18.5	4000	250	200 x 2	300 x 1	50 x 1	80 x 1	50 x 1	50 x 1	8113	21913
4777H	4720	7460	6380	7730	22	4000	250	200 x 2	300 x 1	50 x 1	80 x 1	50 x 1	50 x 1	8136	21936
4777I	4720	7460	6380	7730	30	4000	250	200 x 2	300 x 1	50 x 1	80 x 1	50 x 1	50 x 1	8223	22023
4777J	4720	7460	6380	7730	37	4000	250	200 x 2	300 x 1	50 x 1	80 x 1	50 x 1	50 x 1	8276	22076
4777K	4720	7460	6380	7730	45	4000	250	200 x 2	350 x 1	50 x 1	80 x 1	50 x 1	50 x 1	8300	22100
4777L	4720	7460	6380	7730	55	4000	250	200 x 2	350 x 1	50 x 1	80 x 1	50 x 1	50 x 1	8428	22228

MX SERIES  
INTERNAL PIPING

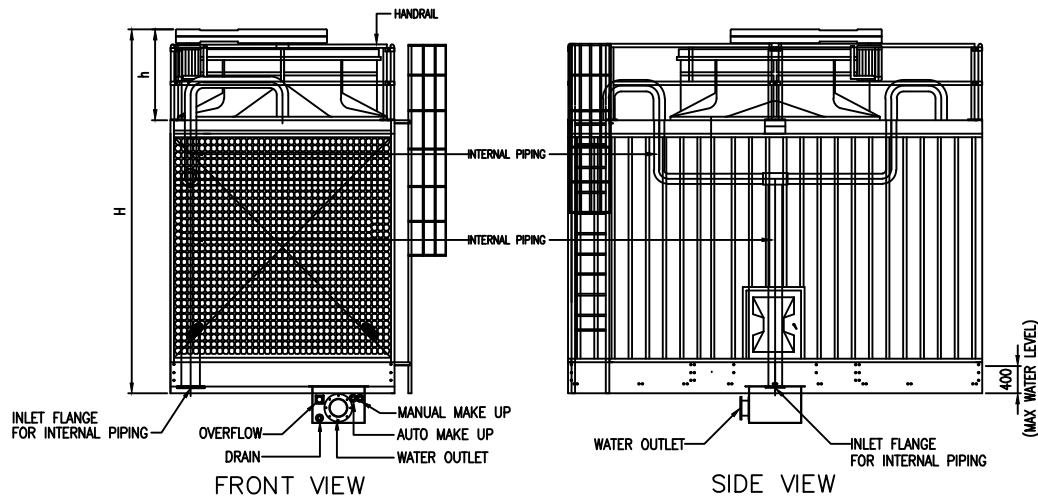


PLAN VIEW

MX SERIES  
EXTERNAL PIPING

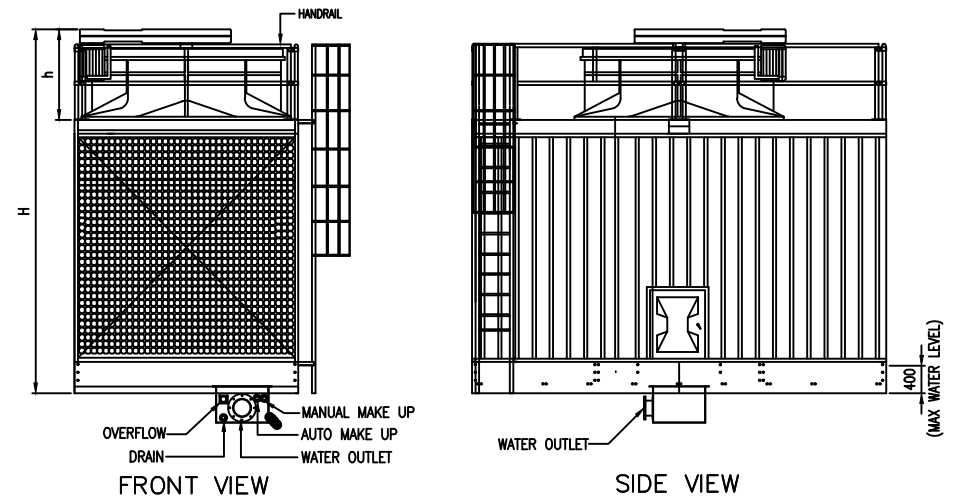


PLAN VIEW



FRONT VIEW

SIDE VIEW



FRONT VIEW

SIDE VIEW