



江苏大洋冷却塔有限公司
jiangsu dayang cooling tower co.,ltd

Jiangsu Dayang Cooling Tower Co., Ltd.

NO.128 Mid Xinxing Road,Xinchang,Liyang ,Jiangsu,China

TEL: 86 0519-87101638

FAX: 86 0519-87101168

URL: <http://www.dayang-china.com/>

MAIL: jiangsudy@126.com



HLT Open Cross-flow, Induced-draft Cooling Tower

Design Information





I. Outline of models

(open type, cross flow, and induced draft)

Models	Cooling capacity	Fan system		Outline Size			Inlet	Outlet	Weight	
	(37-32-28 °C)	Power	Diameter	L	W	H			Shipping Weight	Operating Weight
	m ³ /h	KW	mm	mm	mm	mm			DN mm	DN mm
HLT-821D	84	2.2	1600	2250	3792	2992	DN100x2	DN150x1	1550	3650
HLT-821P	93	3	1600	2250	3792	2992	DN100x2	DN150x1	1660	3790
HLT-821G	104	4	1600	2250	3792	2992	DN100x2	DN150x1	1710	3850
HLT-822D	106	3	1800	2250	3792	3492	DN100x2	DN150x1	2050	4180
HLT-822P	118	4	1800	2250	3792	3492	DN100x2	DN150x1	2150	4280
HLT-822G	132	5.5	1800	2250	3792	3492	DN100x2	DN150x1	2180	4300
HLT-832D	148	5.5	2000	2476	4792	3492	DN125x2	DN200x1	2600	5500
HLT-832P	160	7.5	2000	2476	4792	3492	DN125x2	DN200x1	2680	5600
HLT-832G	182	11	2000	2476	4792	3492	DN125x2	DN200x1	2700	5670
HLT-842D	210	7.5	2200	2690	4792	3492	DN125x2	DN200x1	2830	6150
HLT-842P	240	11	2200	2690	4792	3492	DN125x2	DN200x1	3000	6230
HLT-842G	265	15	2200	2690	4792	3492	DN125x2	DN200x1	3230	6450
HLT-852D	228	7.5	2400	2976	5220	3492	DN150x2	DN250x1	3380	7190
HLT-852P	258	11	2400	2976	5220	3492	DN150x2	DN250x1	3530	7410
HLT-852G	288	15	2400	2976	5220	3492	DN150x2	DN250x1	3750	7630
HLT-854D	349	15	2600	2976	5220	5106	DN150x2	DN250x1	4150	8800
HLT-854P	377	18.5	2600	2976	5220	5106	DN150x2	DN250x1	4180	8850
HLT-854G	398	22	2600	2976	5220	5106	DN150x2	DN250x1	4360	9020
HLT-873D	385	15	3100	3620	6396	4150	DN125x4	DN250x1	5120	9750



江苏大洋冷却塔有限公司
jiangsu dayang cooling tower co.,ltd

HLT-873P	410	18.5	3100	3620	6396	4150	DN125x4	DN250x1	5150	9890
HLT-873S	438	22	3100	3620	6396	4150	DN125x4	DN250x1	5280	10400
HLT-873U	485	30	3100	3620	6396	4150	DN125x4	DN250x1	5360	10800
HLT-873L	518	37	3100	3620	6396	4150	DN125x4	DN250x1	5410	11100
HLT-873G	554	45	3100	3620	6396	4150	DN125x4	DN250x1	5450	11600
HLT-874P	502	22	3100	3620	6396	5106	DN125x4	DN300x1	5980	12500
HLT-874U	557	30	3100	3620	6396	5106	DN125x4	DN300x1	6100	12800
HLT-874L	598	37	3100	3620	6396	5106	DN125x4	DN300x1	6190	13100
HLT-874G	637	45	3100	3620	6396	5106	DN125x4	DN300x1	6340	13400
HLT-875P	615	30	3100	3620	6396	6455	DN150x4	DN300x1	7010	14100
HLT-875U	660	37	3100	3620	6396	6455	DN150x4	DN300x1	7080	14300
HLT-875L	701	45	3100	3620	6396	6455	DN150x4	DN300x1	7130	15000
HLT-875G	752	55	3100	3620	6396	6455	DN150x4	DN300x1	7250	15400
HLT-893D	425	15	3900	4250	7316	4150	DN125x4	DN250x1	6790	14000
HLT-893P	456	18.5	3900	4250	7316	4150	DN125x4	DN250x1	6820	14300
HLT-893S	486	22	3900	4250	7316	4150	DN125x4	DN300x1	7100	14600
HLT-893U	536	30	3900	4250	7316	4150	DN125x4	DN300x1	7240	15000
HLT-893L	575	37	3900	4250	7316	4150	DN125x4	DN300x1	7360	15300
HLT-893G	610	45	3900	4250	7316	4150	DN125x4	DN300x1	7510	15500
HLT-894P	618	30	3900	4250	7316	5106	DN150x4	DN350x1	8630	17300
HLT-894U	660	37	3900	4250	7316	5106	DN150x4	DN350x1	8770	17450
HLT-894L	705	45	3900	4250	7316	5106	DN150x4	DN350x1	8850	18600
HLT-894G	758	55	3900	4250	7316	5106	DN150x4	DN350x1	9010	17200
HLT-895P	735	37	3900	4250	7316	6455	DN200x4	DN400x1	9830	19000
HLT-895U	780	45	3900	4250	7316	6455	DN200x4	DN400x1	9970	19500
HLT-895L	840	55	3900	4250	7316	6455	DN200x4	DN400x1	10100	20000
HLT-895G	932	75	3900	4250	7316	6455	DN200x4	DN400x1	10300	20500



江苏大洋冷却塔有限公司
jiangsu dayang cooling tower co.,ltd

HLT-713D	56	2.2	1100	1850	2250	4150	DN100×1	DN100×1	1180	2350
HLT-713P	62	3	1100	1850	2250	4150	DN100×1	DN100×1	1230	2480
HLT-713G	69	4	1100	1850	2250	4150	DN100×1	DN100×1	1290	2540
HLT-723D	66	3	1200	1850	2610	4150	DN125×1	DN125×1	1410	2850
HLT-723P	72	4	1200	1850	2610	4150	DN125×1	DN125×1	1500	2950
HLT-723G	83	5.5	1200	1850	2610	4150	DN125×1	DN125×1	1590	3050
HLT-734D	79	4	1300	1850	2896	5106	DN150×1	DN150×1	1600	3100
HLT-734P	90	5.5	1300	1850	2896	5106	DN150×1	DN150×1	1700	3300
HLT-734G	100	7.5	1300	1850	2896	5106	DN150×1	DN150×1	1820	3450
HLT-744D	112	5.5	2000	2250	3540	5106	DN200×1	DN200×1	2050	4500
HLT-744P	125	7.5	2000	2250	3540	5106	DN200×1	DN200×1	2200	4600
HLT-744G	143	11	2000	2250	3540	5106	DN200×1	DN200×1	2420	4800

● Significance of the model names

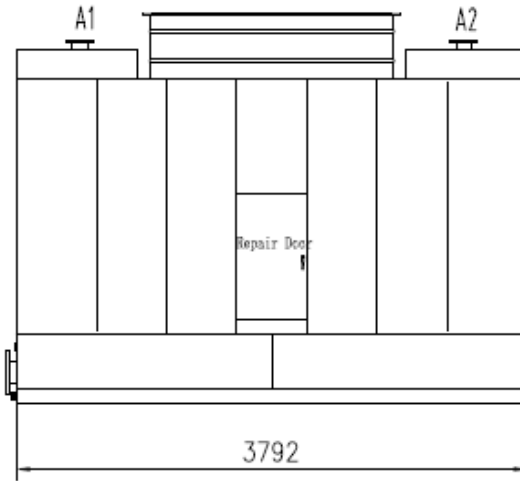
☆ For Jiangsu Dayang:

HL	T	-	821	D
Cross flow	Open type Cooling Tower		Model code	Noise Level

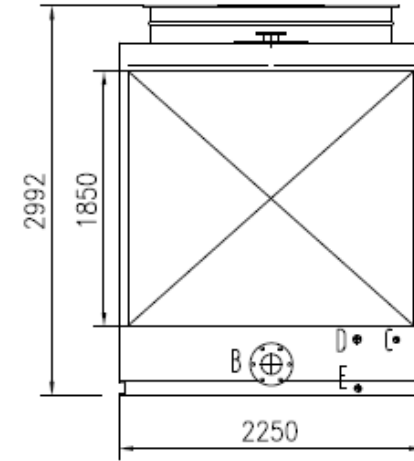


II. Drawings:

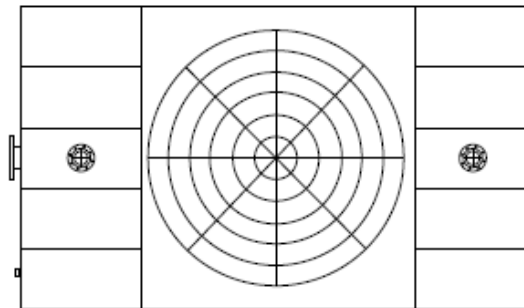
1) Model HLT-821 (D、P、G)



VIEW 2



VIEW 1

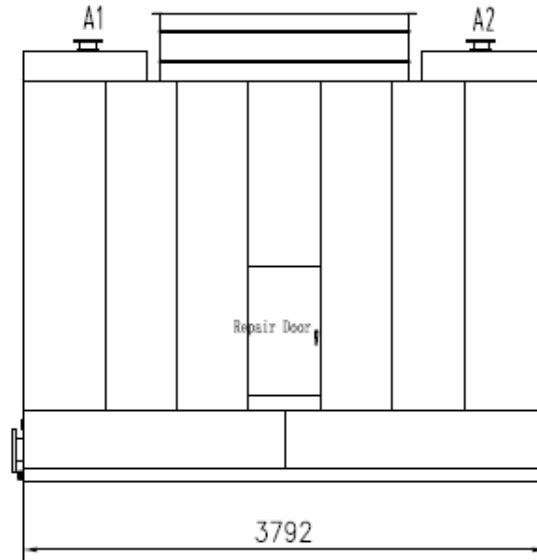


VIEW 3

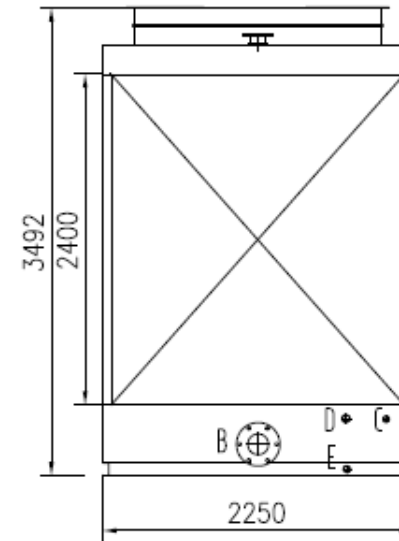
pipe table				
Symbol	Size	standard	seal type	used for
A1	DN100	HG20593,20599	RF	Inlet water
A2	DN100	HG20593,20599	RF	Inlet water
B	DN150	HG20593,20599	RF	Out water
C	DN25	G1'(G pipe thread)	G pipe	water pick up
D	DN50	G2'(G pipe thread)	G pipe	over flow
E	DN50	G2'(G pipe thread)	G pipe	sewage



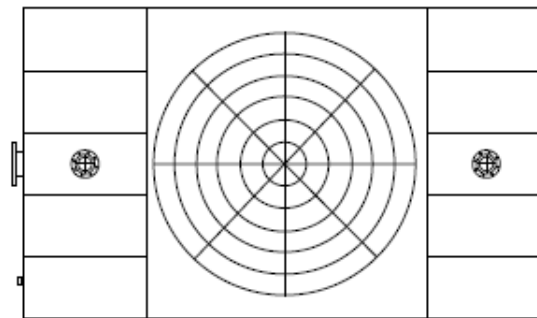
2) Model HLT-822 (D、P、G)



VIEW 2



VIEW 1

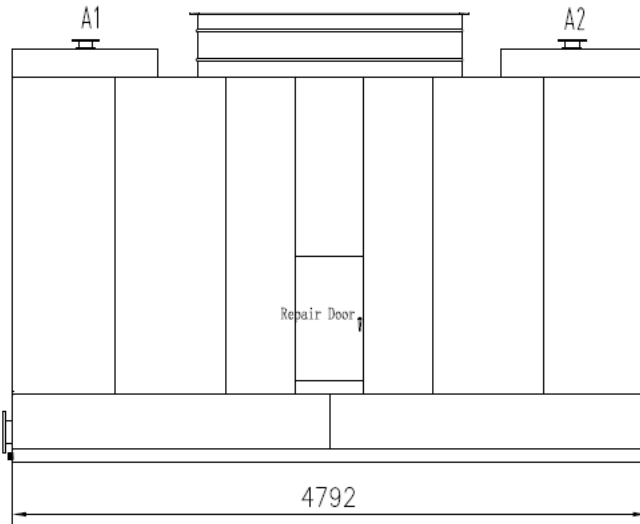


VIEW 3

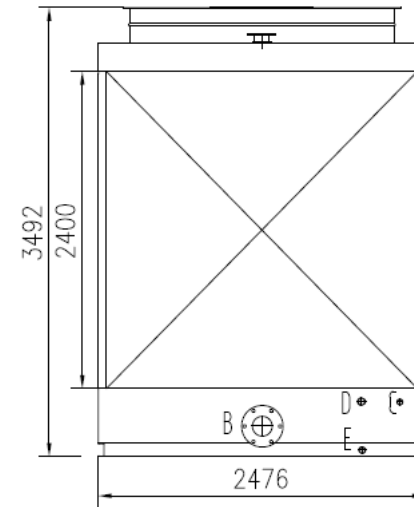
pipe table				
Symbol	Size	standard	seal type	used for
A1	DN100	HG20593,20599	RF	Inlet water
A2	DN100	HG20593,20599	RF	Inlet water
B	DN150	HG20593,20599	RF	Out water
C	DN25	G1'(G pipe thread)	G pipe	water pick up
D	DN50	G2'(G pipe thread)	G pipe	over flow
E	DN50	G2'(G pipe thread)	b pipe	sewage



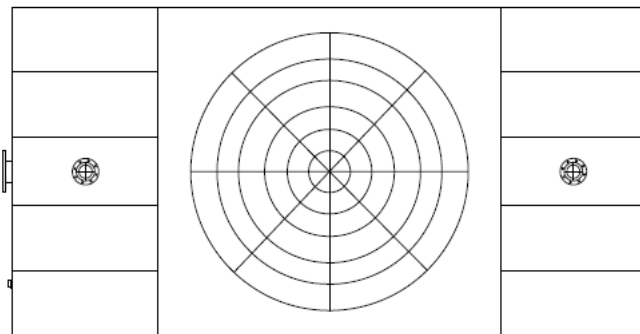
3) Model HLT-832 (D、P、G)



VIEW 2



VIEW 1

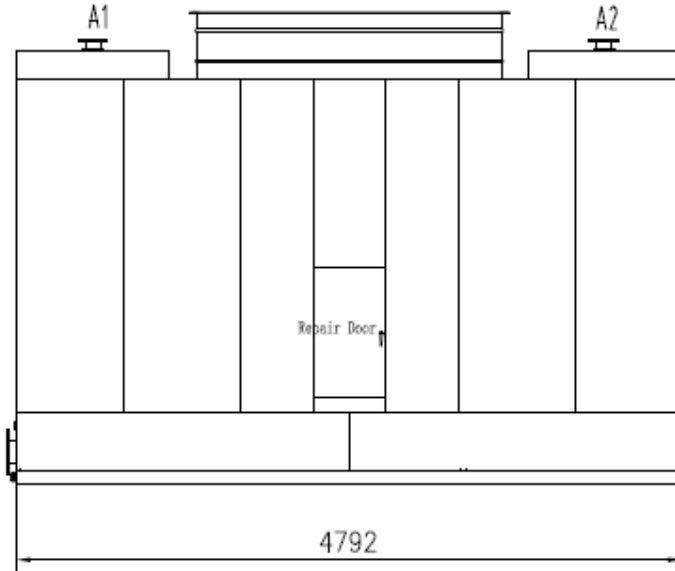


VIEW 3

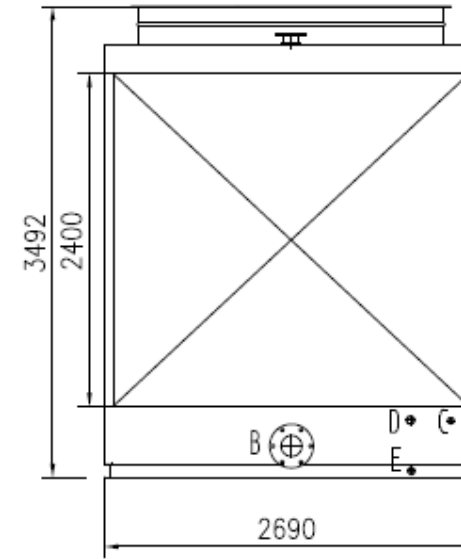
pipe table				
Symbol	Size	standard	seal type	used for
A1	DN125	HG20593,20599	RF	Inlet water
A2	DN125	HG20593,20599	RF	Inlet water
B	DN200	HG20593,20599	RF	Out water
C	DN25	G1'(G pipe thread)	G pipe	water pick up
D	DN50	G2'(G pipe thread)	G pipe	over flow
E	DN50	G2'(G pipe thread)	G pipe	sewage



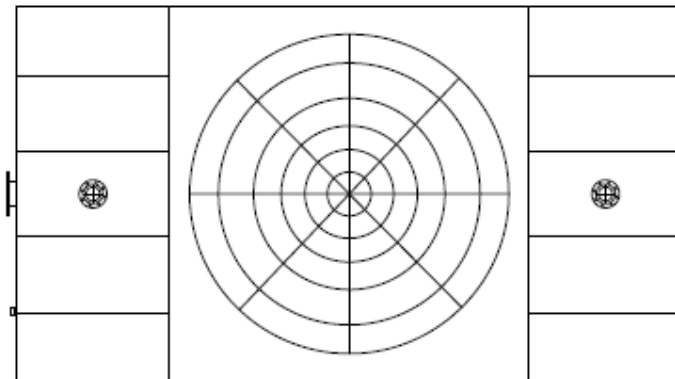
4) Model HLT-842 (D、P、G)



VIEW 2



VIEW 1



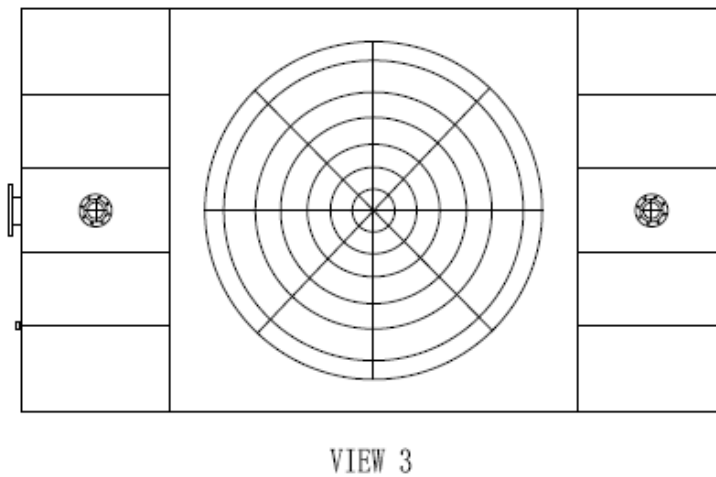
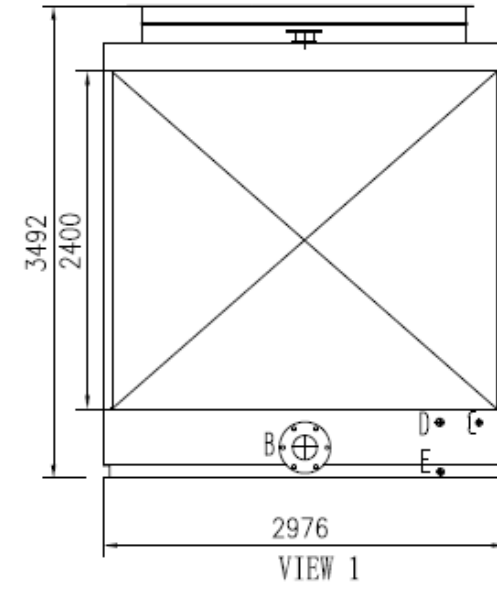
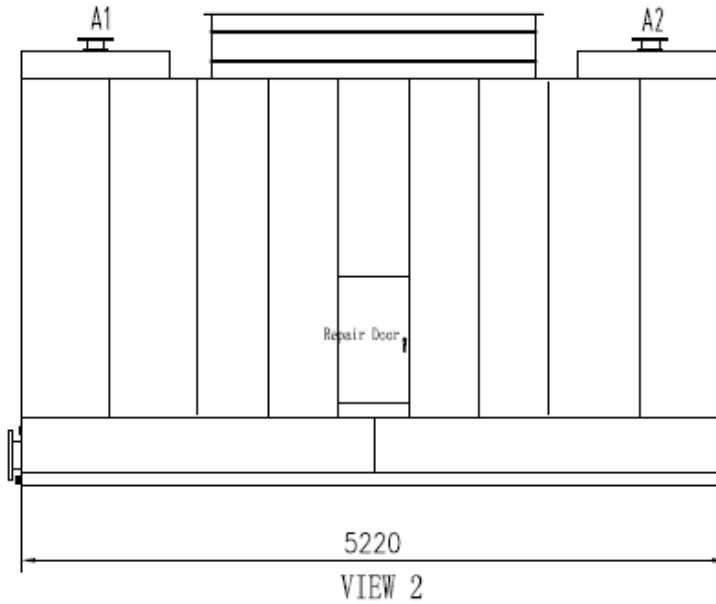
VIEW 3

pipe table				
Symbol	Size	standard	seal type	used for
A1	DN125	HG20593,20599	RF	Inlet water
A2	DN125	HG20593,20599	RF	Inlet water
B	DN200	HG20593,20599	RF	Out water
C	DN25	G1'(G pipe thread)	G pipe	water pick up
D	DN50	G2'(G pipe thread)	G pipe	over flow
E	DN50	G2'(G pipe thread)	G pipe	sewage



江苏大洋冷却塔有限公司
jiangsu dayang cooling tower co.,ltd

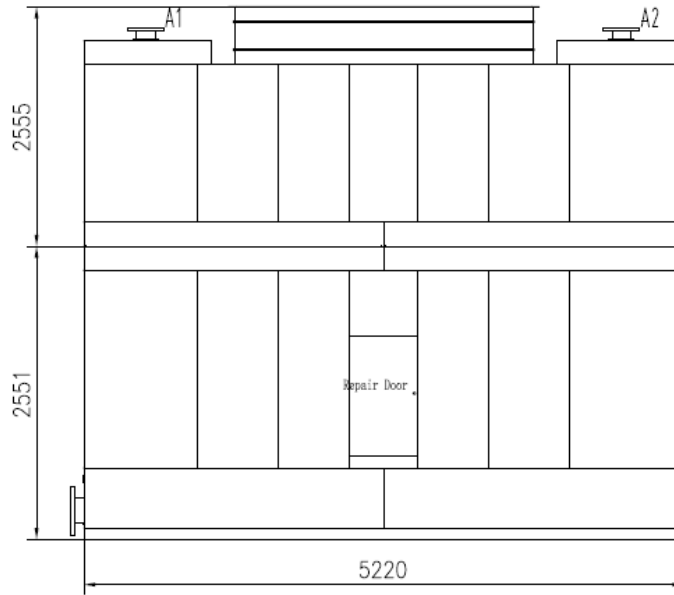
5) Model HLT-852 (D、P、G)



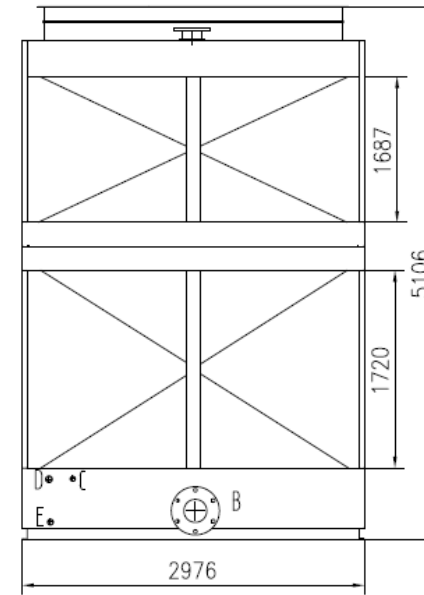
pipe table				
Symbol	Size	standard	seal type	used for
A1	DN150	HG20593,20599	RF	Inlet water
A2	DN150	HG20593,20599	RF	Inlet water
B	DN250	HG20593,20599	RF	Out water
C	DN25	G1'(G pipe thread)	G pipe	water pick up
D	DN50	G2'(G pipe thread)	G pipe	over flow
E	DN50	G2'(G pipe thread)	G pipe	sewage



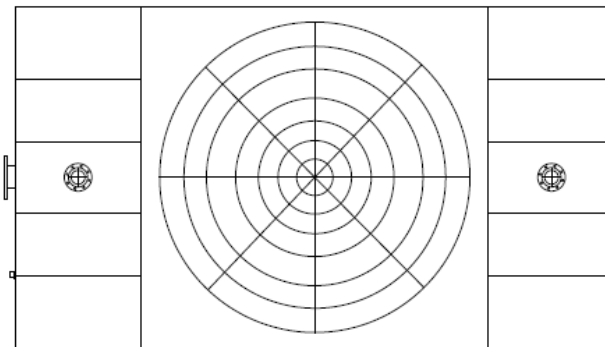
6) Model HLT-854 (D、P、G)



VIEW 2



VIEW 1



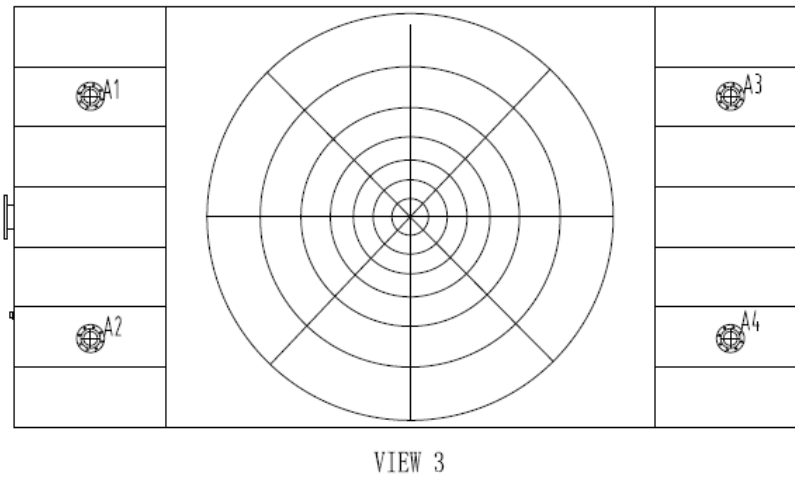
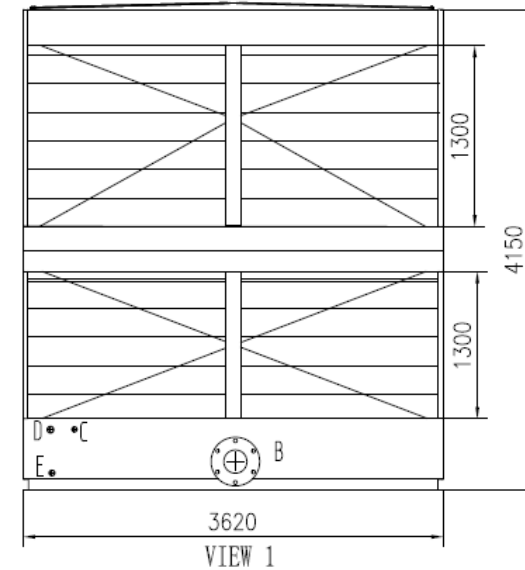
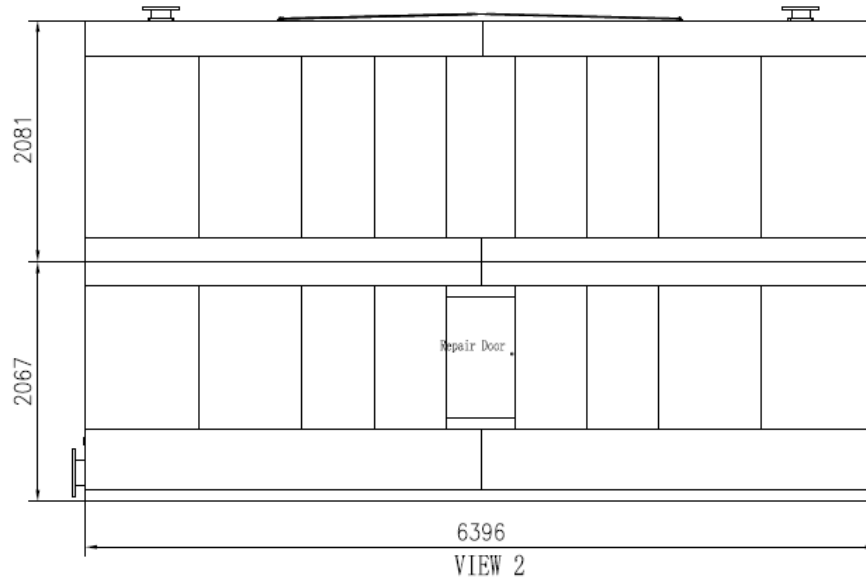
VIEW 3

pipe table				
Symbol	Size	standard	seal type	used for
A1	DN150	HG20593,20599	RF	Inlet water
A2	DN150	HG20593,20599	RF	Inlet water
B	DN250	HG20593,20599	RF	Out water
C	DN25	G1'(G pipe thread)	G pipe	water pick up
D	DN50	G2'(G pipe thread)	G pipe	over flow
E	DN50	G2'(G pipe thread)	G pipe	sewage



江苏大洋冷却塔有限公司
jiangsu dayang cooling tower co.,ltd

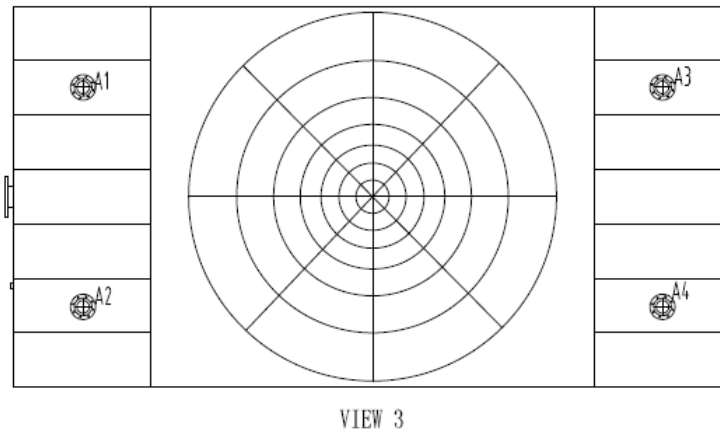
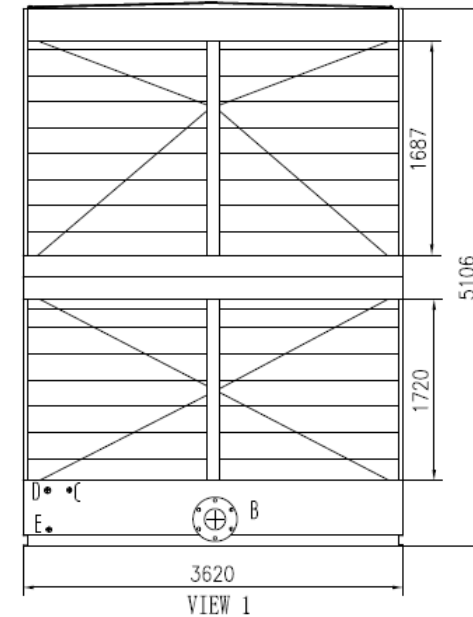
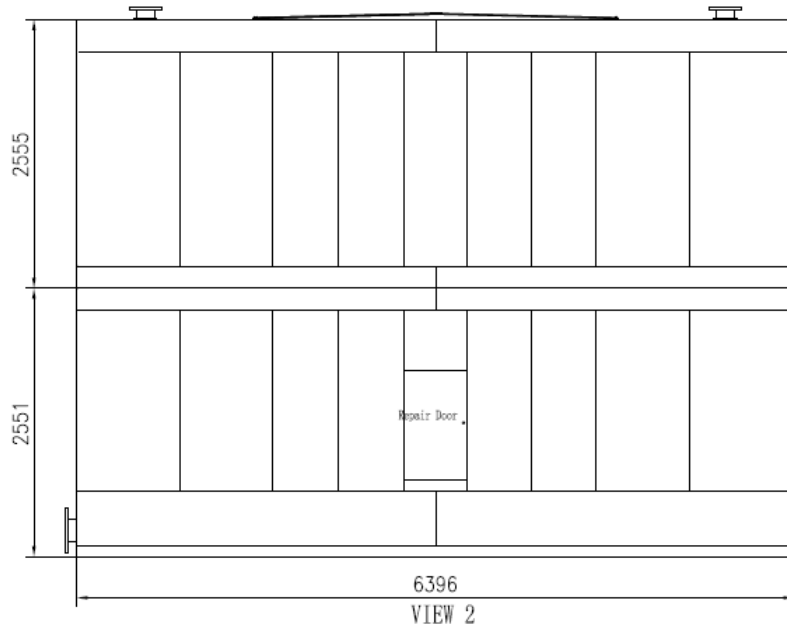
7) Model HLT-873 (D、P、S、U、L、G)



pipe table					
Symbol	Size	standard	seal type	used for	
A1, A2	DN125	HG20593,20599	RF	Inlet water	
A3, A4	DN125	HG20593,20599	RF	Inlet water	
B	DN250	HG20593,20599	RF	Out water	
C	DN25	G1'(G pipe thread)	G pipe	water pick up	
D	DN50	G2'(G pipe thread)	G pipe	over flow	
E	DN50	G2'(G pipe thread)	G pipe	sewage	



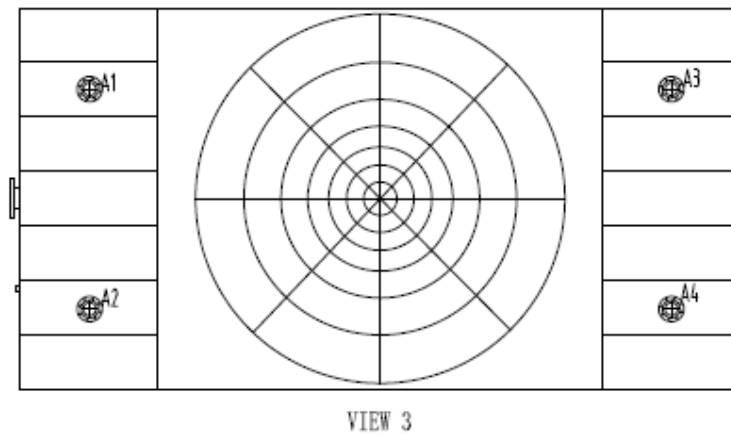
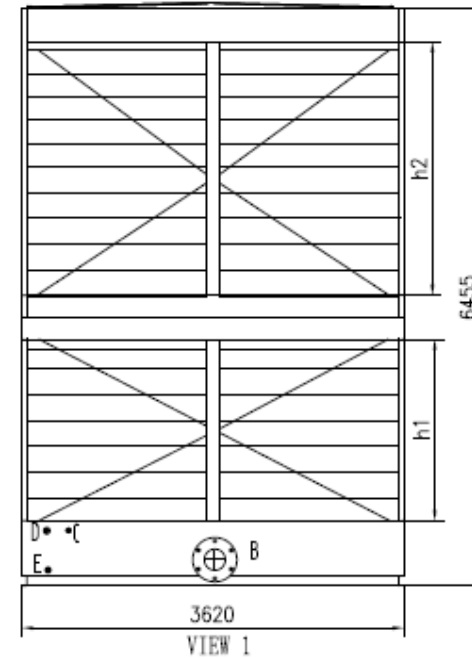
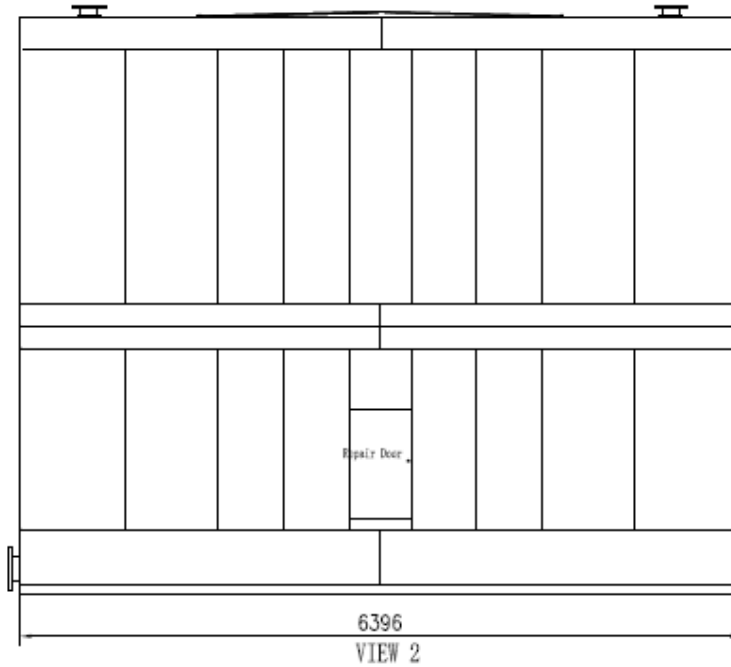
8) Model HLT-874 (P、U、L、G)



pipe table				
Symbol	Size	standard	seal type	used for
A1、A2	DN125	HG20593,20599	RF	Inlet water
A3、A4	DN125	HG20593,20599	RF	Inlet water
B	DN300	HG20593,20599	RF	Out water
C	DN25	G1"(G pipe thread)	G pipe	water pick up
D	DN50	G2"(G pipe thread)	G pipe	over flow
E	DN50	G2"(G pipe thread)	G pipe	sewage



9) Model HLT-875 (P、U、L、G)



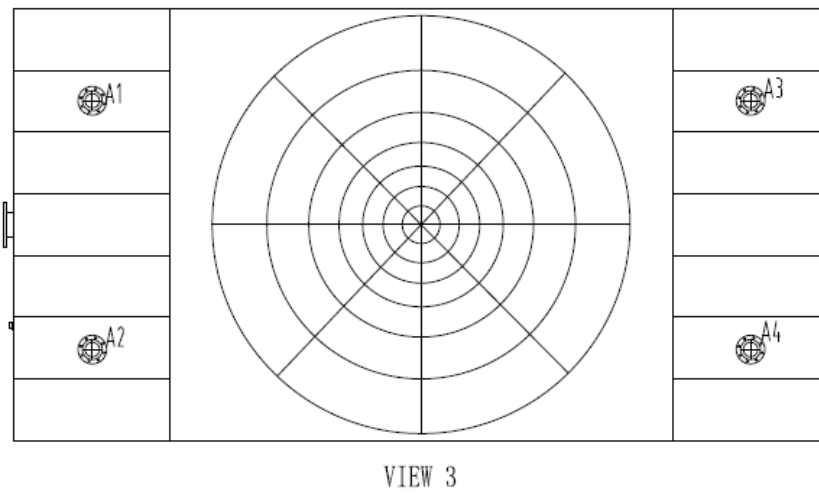
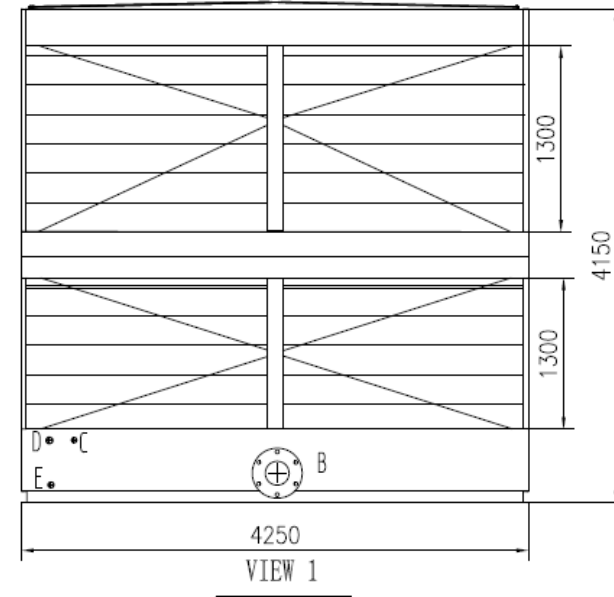
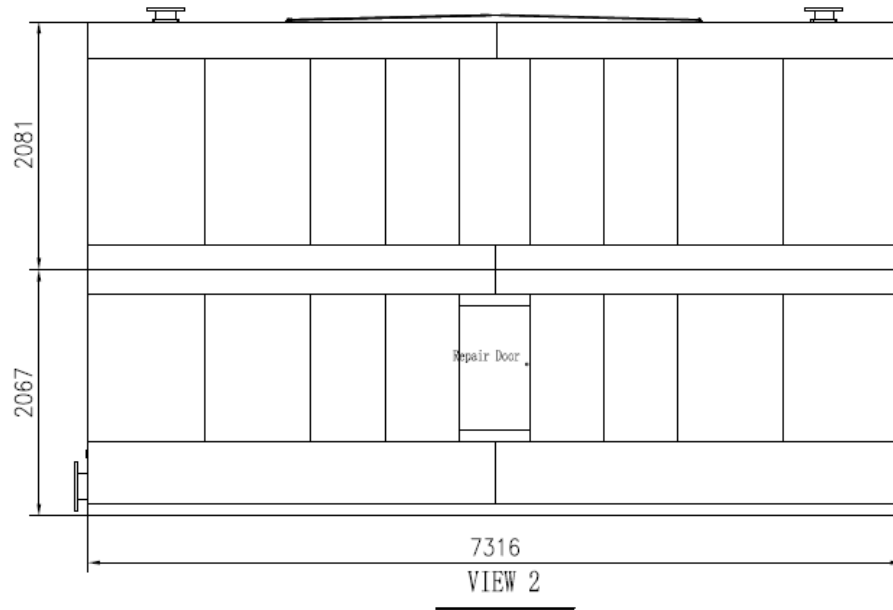
Pipe table

Symbol	Size	Connction Dimension and Standard	Seal Type	Used for
A1. A2	DN150	HG20593, 20599	RF	Inlet water
A3. A4	DN150	HG20593, 20599	RF	Inlet water
B	DN300	HG20593, 20599	RF	Outlet water
C	DN25	G1"IG pipe thread	G pipe thread	Water make up
D	DN50	G2"IG pipe thread	G pipe thread	Over flow
E	DN50	G2"IG pipe thread	G pipe thread	Sewage

Remark : h1+h2=4940



10) Model HLT-893 (D、P、S、U、L、G)

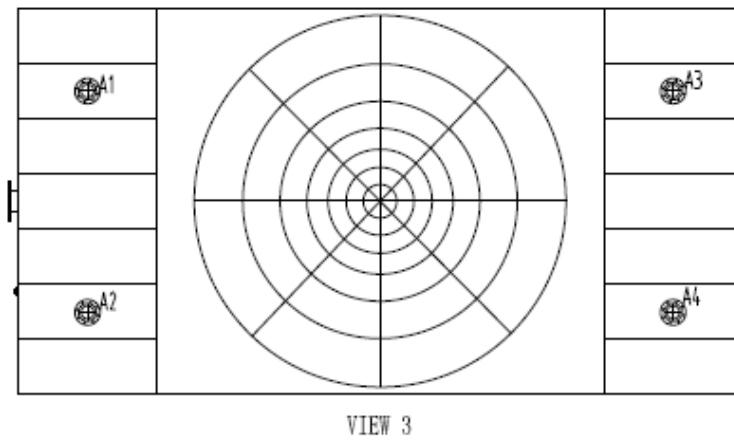
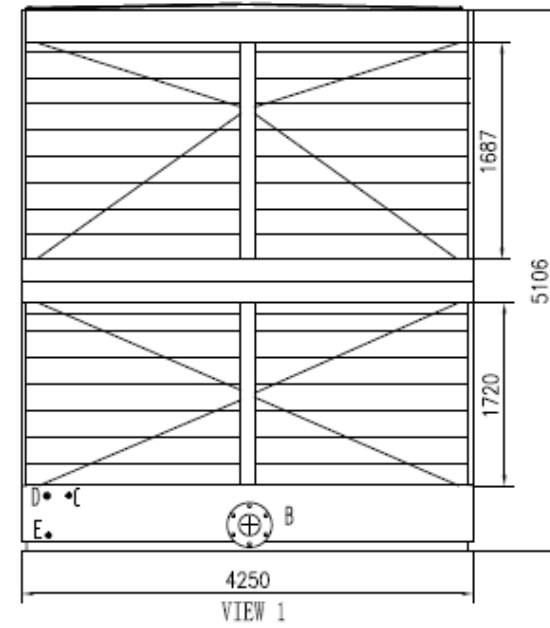
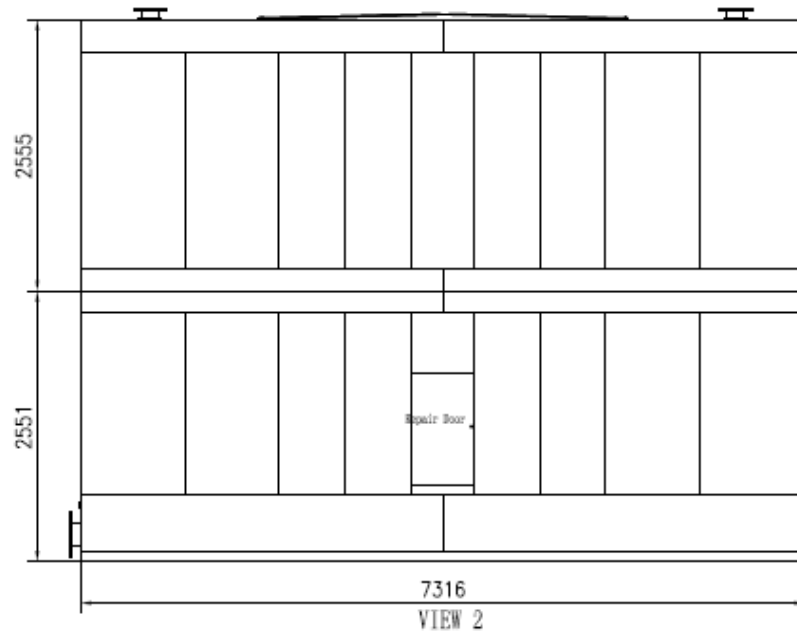


pipe table				
Symbol	Size	standard	seal type	used for
A1、A2	DN125	HG20593,20599	RF	Inlet water
A3、A4	DN125	HG20593,20599	RF	Inlet water
B	DN250	HG20593,20599	RF	Out water
C	DN25	G1'(G pipe thread)	G pipe	water pick up
D	DN50	G2'(G pipe thread)	G pipe	over flow
E	DN50	G2'(G pipe thread)	G pipe	sewage

remark :
FKHL-893(D、P) B=DN250
FKHL-893(S、U、L、G) B=DN300



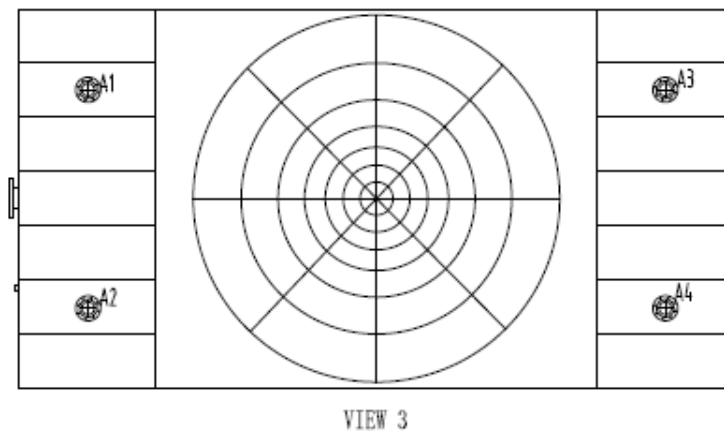
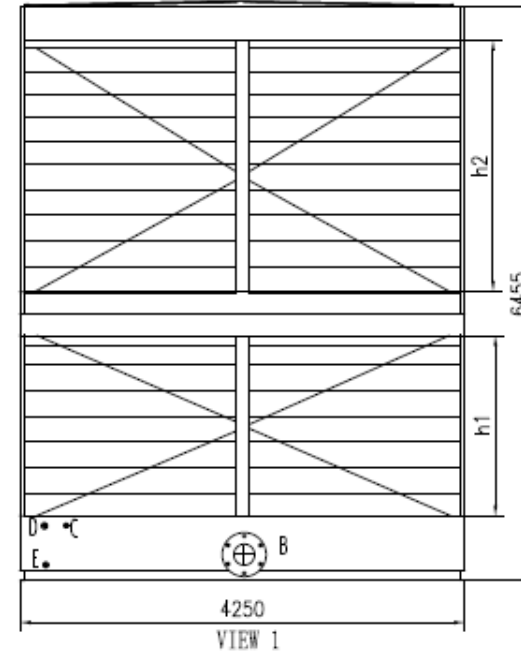
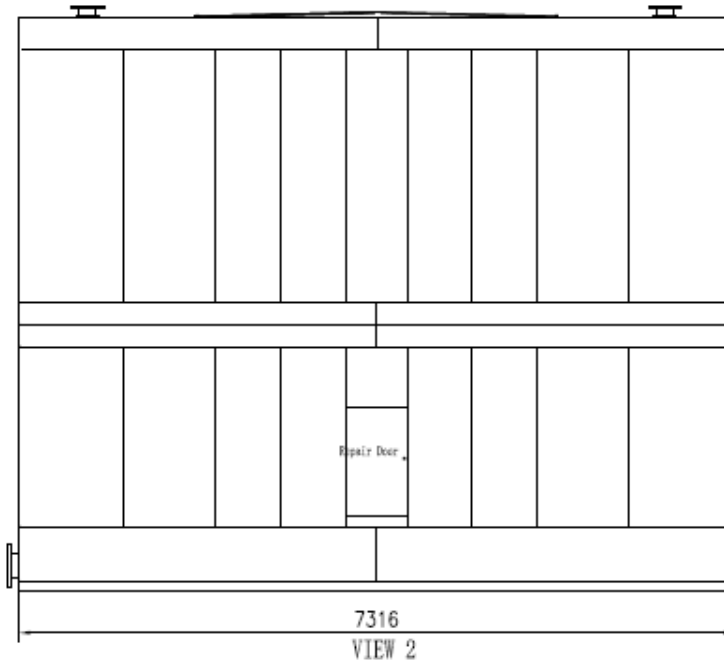
11) Model HLT-894(P、U、L、G)



pipe table					
Symbol	Size	standard	seal type	used for	
A1, A2	DN150	HG20593,20599	RF	Inlet water	
A3, A4	DN150	HG20593,20599	RF	Inlet water	
B	DN350	HG20593,20599	RF	Out water	
C	DN25	G1'G pipe thread	G pipe	water pick up	
D	DN50	G2'G pipe thread	G pipe	over flow	
E	DN50	G2'G pipe thread	G pipe	sewage	



12) Model HLT-895 (P、U、L、G)

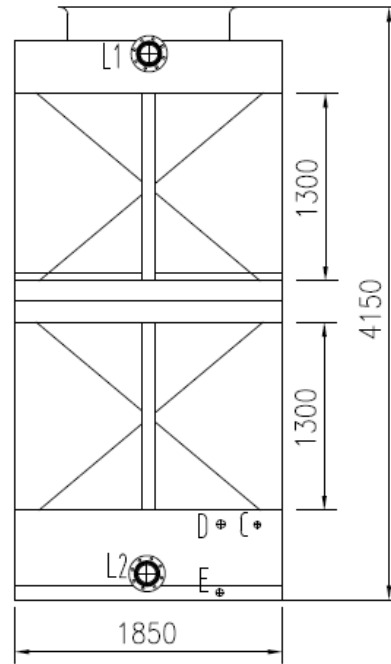


pipe table				
Symbol	Size	standard	seal type	used for
A1、A2	DN200	HG20593,20599	RF	Inlet water
A3、A4	DN200	HG20593,20599	RF	Inlet water
B	DN400	HG20593,20599	RF	Out water
C	DN25	G1/2" G pipe thread	G pipe	water pick up
D	DN50	G2" G pipe thread	G pipe	over flow
E	DN50	G2" G pipe thread	G pipe	sewage

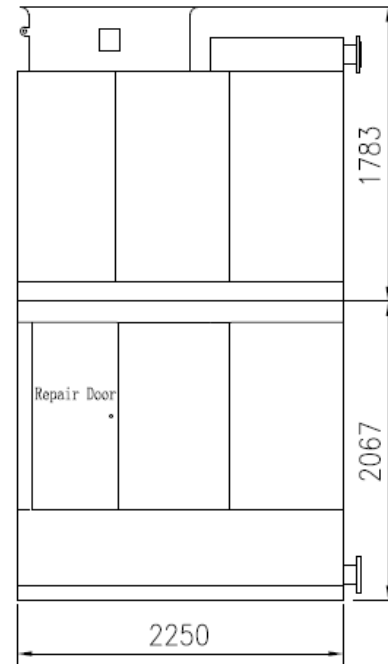
Remark : h1+h2=4940



13) Model HLT-713 (D、P、G)

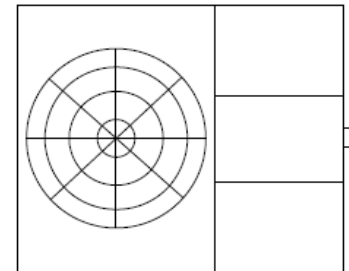


VIEW 2



VIEW 1

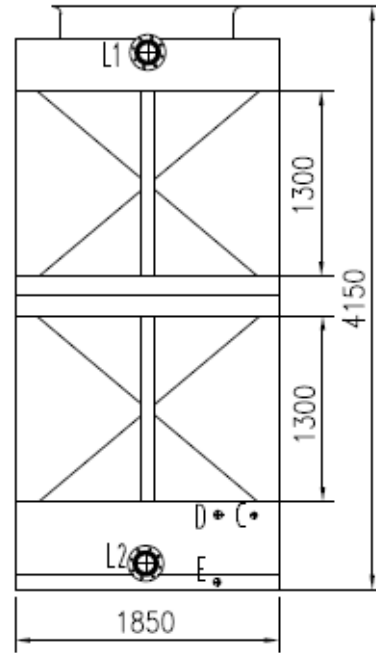
pipe table				
Symbol	Size	standard	seal type	used for
L1	DN100	HG20593,20599	RF	Inlet water
L2	DN100	HG20593,20599	RF	Out water
C	DN25	G1'(G pipe thread)	G pipe	water pick up
D	DN50	G2'(G pipe thread)	G pipe	over flow
E	DN50	G2'(G pipe thread)	G pipe	sewage



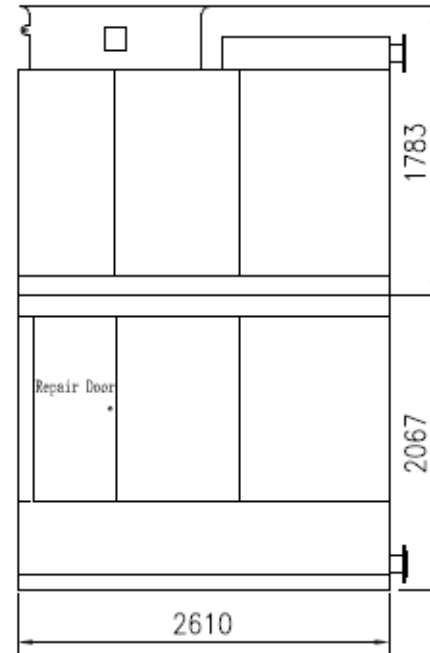
VIEW 3



14) Model HLT-723 (D、P、G)

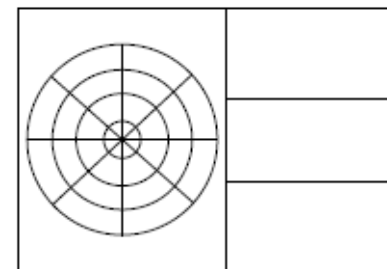


VIEW 2



VIEW 1

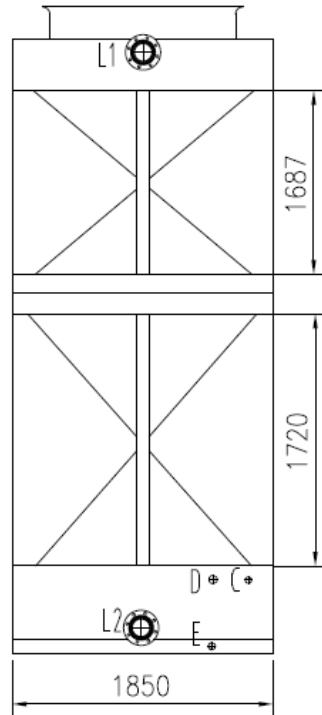
pipe table				
Symbol	Size	standard	seal type	used for
L1	DN125	HG20593,20599	RF	Inlet water
L2	DN125	HG20593,20599	RF	Out water
C	DN25	G1'(G pipe thread)	G pipe	water pick up
D	DN50	G2'(G pipe thread)	G pipe	over flow
E	DN50	G2'(G pipe thread)	G pipe	sewage



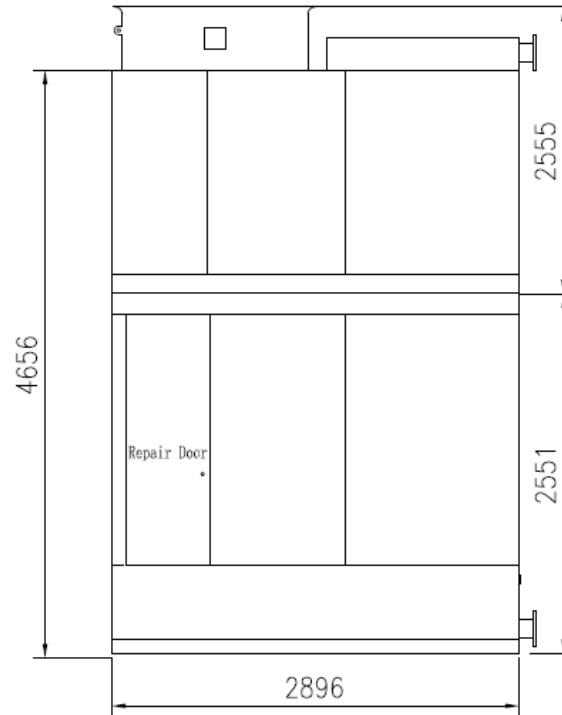
VIEW 3



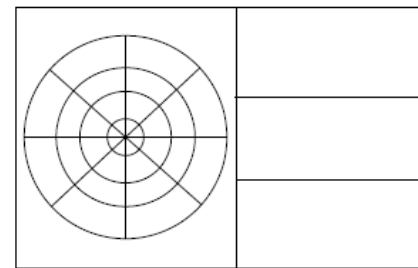
15) Model HLT-734(D、P、G)



VIEW 2



VIEW 1

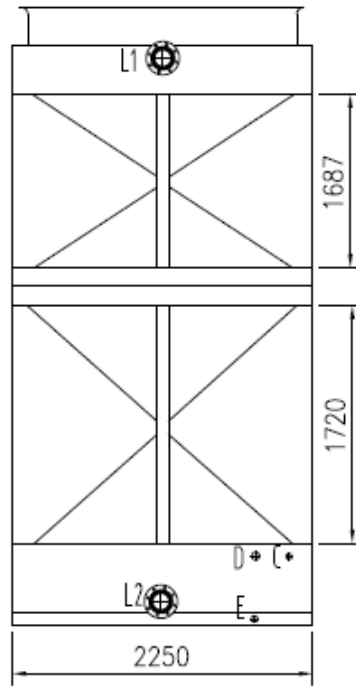


VIEW 3

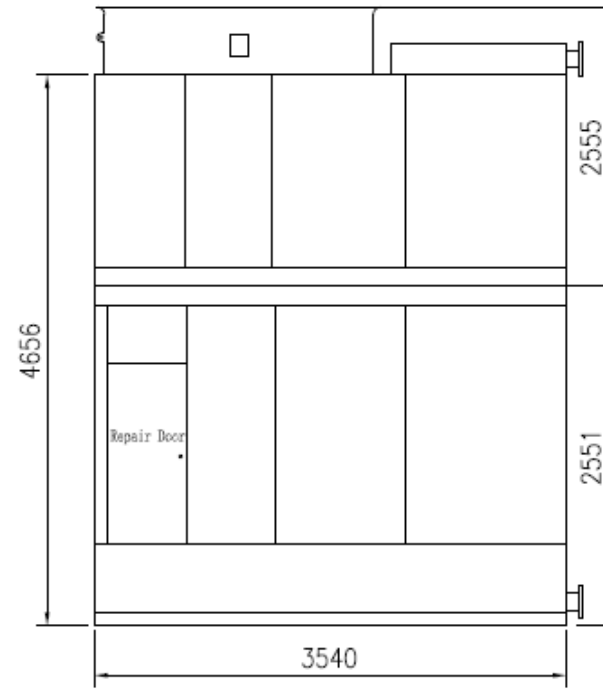
pipe table				
Symbol	Size	standard	seal type	used for
L1	DN150	HG20593,20599	RF	Inlet water
L2	DN150	HG20593,20599	RF	Out water
C	DN25	G1'(G pipe thread)	G pipe	water pick up
D	DN50	G2'(G pipe thread)	G pipe	over flow
E	DN50	G2'(G pipe thread)	G pipe	sewage



16) Model HLT-744 (D、P、G)

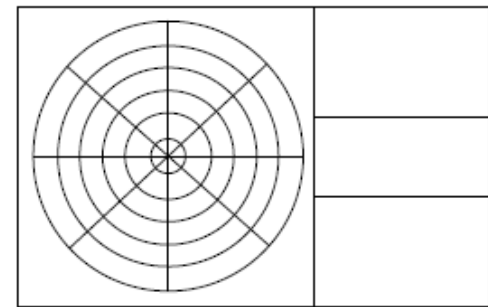


VIEW 2



VIEW 1

pipe table				
Symbol	Size	standard	seal type	used for
L1	DN200	HG20593,20599	RF	Inlet water
L2	DN200	HG20593,20599	RF	Out water
C	DN25	G1'(G pipe thread)	G pipe	water pick up
D	DN50	G2'(G pipe thread)	G pipe	over flow
E	DN50	G2'(G pipe thread)	G pipe	sewage



VIEW 3