



东莞空研冷却塔有限公司

**KUKEN COOLING TOWER Co., Ltd**

Shan Xia Zone, HengLi Town, Dong Guan, GuangDong Province, China

TEL: 0769-8372 9282

FAX: 0769-8372 9286

URL: [www.kuken.cn](http://www.kuken.cn)

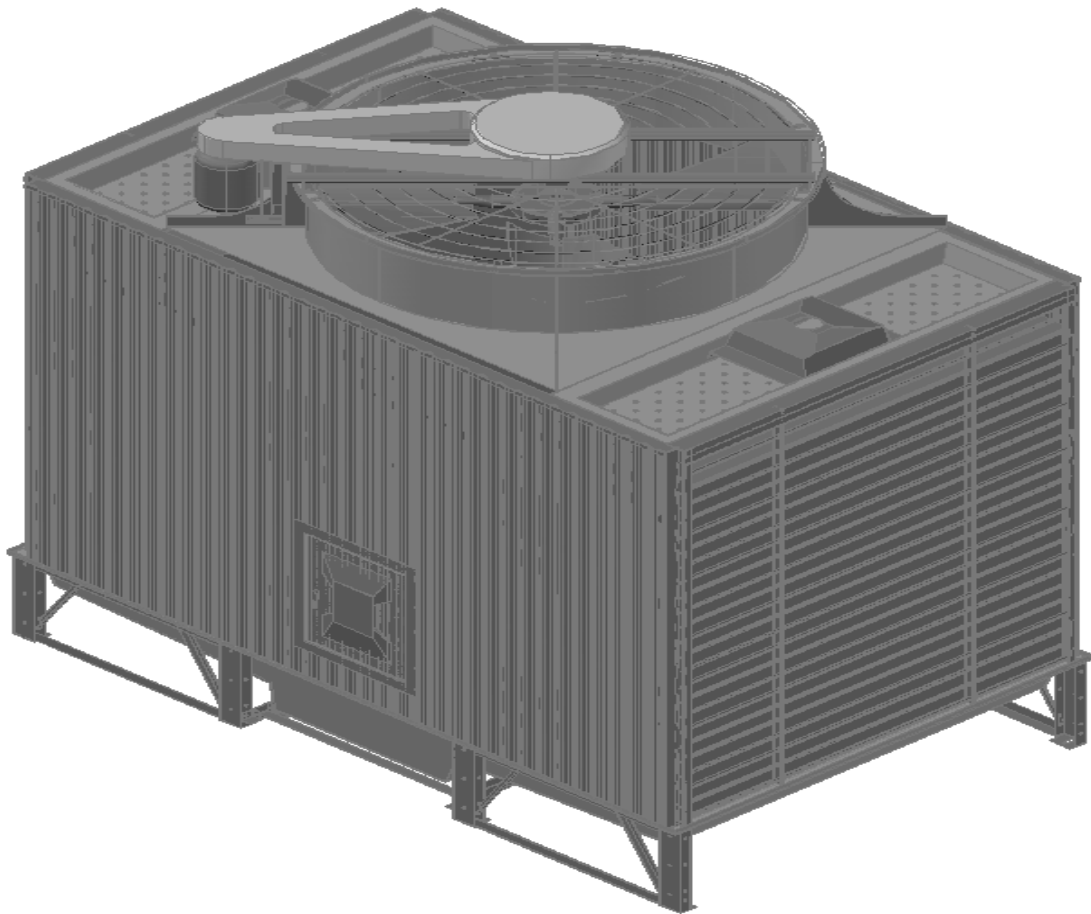
MAIL: [factorymanager@kuken.cn](mailto:factorymanager@kuken.cn)



## **Low Noise Closed Cooling Tower**

### **GXC SERIES**

#### Design Information



**GXC-1601-2403**



东莞空研冷却塔有限公司

### I. Outline of models

(Closed type, Cross Flow, and induced draft)

Models	Cooling capacity (37-32-28 °C) Kcal/h	Inlet and outlet pipe Diameter of host machine	Water rate (m <sup>3</sup> /h)	Fan		Outline dimension			Weight of host machine (kg)	Operating weight (kg)
				Power (KW)	Diameter (mm)	Length mm	Width mm	Height mm		
GXC-1601AR	250000	DN100×1 DN100×1	50	4.0	1600	3230	1870	3130	1695	3475
GXC-1602AR	300000	DN100×1 DN100×1	60	5.5	1600	3230	1870	3130	1710	3490
GXC-1603AR	325000	DN100×1 DN100×1	65	7.5	1600	3230	1870	3130	1720	3510
GXC-1604AR	375000	DN100×1 DN100×1	75	7.5	1600	3230	1870	3730	1960	3750
GXC-2001AR	425000	DN100×1 DN100×1	85	7.5	2000	3630	2270	3130	2030	4480
GXC-2002AR	450000	DN100×1 DN100×1	90	7.5	2000	3630	2270	3730	2310	4850
GXC-2003AR	500000	DN125×1 DN125×1	100	7.5	2000	3630	2270	4030	2445	5045
GXC-2004AR	625000	DN125×1 DN125×1	125	11.0	2000	3630	2270	4030	2460	5060
GXC-2201AR	750000	DN150×1 DN150×1	150	15.0	2200	4330	2470	4030	3385	7440
GXC-2202AR	875000	DN150×1 DN150×1	175	18.5	2200	4330	2470	4030	4405	9690



东莞空研冷却塔有限公司

GXC-2401AR	4530	DN200×1 DN200×1	200	18.5	2400	4530	2670	4700	5720	12580
GXC-2402AR	4530	DN200×1 DN200×1	225	22.0	2400	4530	2670	5100	6080	13380
GXC-2403AR	4530	DN200×1 DN200×1	250	22.0	2400	4530	2670	5700	6650	14650

\* Significance of the model names:

GXC	-	1601AR
KUKEN, Cross-flow, Closed type		Model code



东莞空研冷却塔有限公司

II. Drawings:

