



东莞空研冷却塔有限公司

KUKEN COOLING TOWER Co., Ltd

Shan Xia Zone, HengLi Town, Dong Guan, GuangDong Province, China

TEL: 0769-8372 9282

FAX: 0769-8372 9286

URL: www.kuken.cn

MAIL: factorymanager@kuken.cn

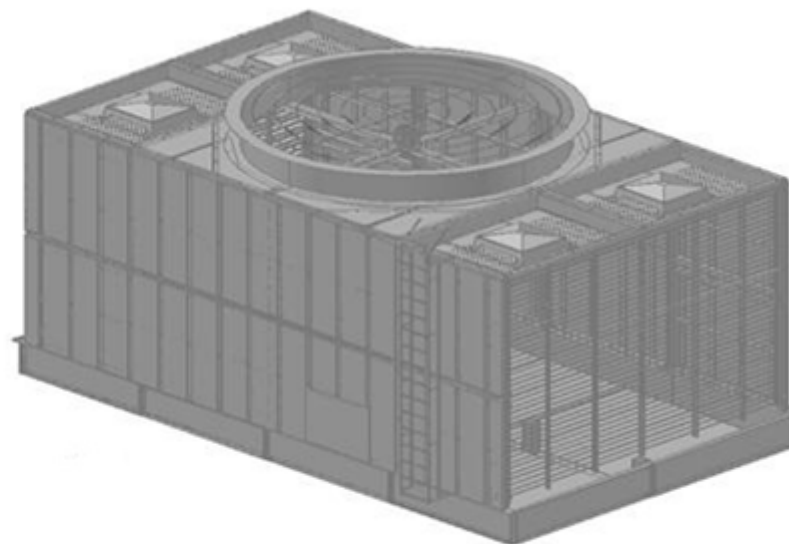


GXE Cross Flow Induced Draft Cooling Tower

Design Information



GXE1211-2415



GXE2611-4013



东莞空研冷却塔有限公司

I. Outline of models

(open type, Cross-flow, and induced-draft)

TowerModel	Water Flow (m ³ /h)	Dimensions(mm)					Fan Assembly				Cooling capacity (37-32-28 °C) Kcal/h
		Width	Length	Height			Motor			Fan Dia D (mm)	
GXE		W	L	h ₁	h ₂	H	Kw	Hp	Num/Set		
1211ARo	20	1470	2830	520	1930	2450	1.5	2	1	1180	100000
1212ARo	30	1470	2830	520	2430	2950	1.5	2	1	1180	150000
1213ARo	40	1470	2830	520	2630	3150	1.5	2	1	1180	200000
1411ARo	50	1670	3030	570	2780	3350	1.5	2	1	1380	250000
1611ARo	65	1870	3230	570	2630	3200	2.2	3	1	1580	325000
1612ARo	75	1870	3230	570	2630	3200	4	5.5	1	1580	375000
1613ARo	85	1870	3230	570	3230	3800	5.5	7.5	1	1580	425000
1614ARo	95	1870	3230	570	3230	3800	7.5	10	1	1580	475000
1811ARo	105	2070	3430	700	3230	3930	5.5	7.5	1	1780	525000
2011ARo	125	2270	3630	700	3230	3930	5.5	7.5	1	1980	625000
2012ARo	150	2270	3630	700	3230	3930	7.5	10	1	1980	750000
2211ARo	175	2470	4330	800	3730	4530	7.5	10	1	2170	875000
2212ARo	200	2470	4330	800	4030	4830	11	15	1	2170	1000000
2414ARo	225	2670	4530	970	4030	5000	15	20	1	2370	1125000
2415ARo	250	2670	4530	970	4330	5300	18.5	25	1	2370	1250000
2611ARo	275	2870	5330	970	3730	4700	15	20	1	2570	1375000



东莞空研冷却塔有限公司

2612ARo	300	2870	5330	970	3730	4700	18.5	25	1	2570	1500000
2811ARo	350	3010	5530	970	4030	5000	18.5	25	1	2770	1750000
2812ARo	375	3010	5530	970	4030	5000	22	29.5	1	2770	1875000
3011ARo	425	3250	5730	970	4530	5500	22	29.5	1	2970	2125000
3012ARo	475	3250	5730	970	4530	5500	30	40	1	2970	2375000
3211ARo	525	3610	6300	970	4530	5500	30	40	1	3170	2625000
3212ARo	575	3610	6300	970	5110	6080	30	40	1	3170	2875000
3611ARo	625	4010	6800	970	5110	6080	30	40	1	3570	3125000
3612ARo	675	4010	6800	970	5110	6080	37	50	1	3570	3375000
4011ARo	725	4260	7800	970	5110	6080	45	60	1	3970	3625000
4012ARo	775	4260	7800	970	5610	6580	45	60	1	3970	3875000
4013ARo	825	4260	7800	970	6110	7080	55	74	1	3970	4000000



东莞空研冷却塔有限公司

Tower Model	Connecting Pipe Dimension (inch)						Dry Wt. (Kg)	Operating Wt (Kg)	Tower Head (M)
	Inlet	Outlet	Drain	Over flow	Filler				
GXE	I	C	D	O	Auto(A)	Quick(M)			
1211ARo	DN80x2	DN100 x1	DN50 x1	DN50 x1	DN15 x1	DN15 x1	630	1520	2.5
1212ARo	DN80x2	DN100 x1	DN50 x1	DN50 x1	DN15 x1	DN15 x1	700	1650	2.8
1213ARo	DN80x2	DN100 x1	DN50 x1	DN50 x1	DN15 x1	DN15 x1	700	1650	2.8
1411ARo	DN80x2	DN100 x1	DN50 x1	DN50 x1	DN15 x1	DN15 x1	800	1990	3.1
1611ARo	DN100x2	DN125 x1	DN50 x1	DN50 x1	DN25 x1	DN25 x1	920	2360	3.1
1612ARo	DN100x2	DN125 x1	DN50 x1	DN50 x1	DN25 x1	DN25 x1	930	2370	3.1
1613ARo	DN125x2	DN150 x1	DN50 x1	DN50 x1	DN25 x1	DN25 x1	1080	2520	3.5
1614ARo	DN125x2	DN150 x1	DN50 x1	DN50 x1	DN25 x1	DN25 x1	1090	2530	3.5
1811ARo	DN125x2	DN150 x1	DN50 x1	DN50 x1	DN25 x1	DN25 x1	1260	2940	3.5
2011ARo	DN125x2	DN150 x1	DN50 x1	DN50 x1	DN25 x1	DN25 x1	1330	3240	3.5
2012ARo	DN125x2	DN150 x1	DN50 x1	DN50 x1	DN25x1	DN25 x1	1335	3245	3.5
2211ARo	DN150x2	DN200 x1	DN50 x1	DN50 x1	DN40x1	DN40 x1	1750	3895	4.0
2212ARo	DN150x2	DN200 x1	DN50 x1	DN50 x1	DN40x1	DN40 x1	1850	4050	4.0
2414ARo	DN150x2	DN200 x1	DN50 x1	DN50 x1	DN40x1	DN40 x1	2120	4360	4.5
2415ARo	DN150x2	DN200 x1	DN50 x1	DN50 x1	DN40x1	DN40 x1	2140	4380	4.5
2611ARo	DN125x4	DN200 x1	DN50 x1	DN50 x1	DN40x1	DN40 x1	2570	6280	4.0
2612ARo	DN125x4	DN200 x1	DN50 x1	DN50 x1	DN40x1	DN40 x1	2660	6360	4.0



东莞空研冷却塔有限公司

2811ARo	DN125x4	DN150 x2	DN80 x1	DN80 x1	DN40x1	DN40 x1	2880	10150	4.5
2812ARo	DN125x4	DN150 x2	DN80 x1	DN80 x1	DN40x1	DN40 x1	2905	10175	4.5
3011ARo	DN125x4	DN150 x2	DN80 x1	DN80 x1	DN40x2	DN40 x1	3320	11570	5.2
3012ARo	DN125x4	DN150 x2	DN80 x1	DN80 x1	DN40x2	DN40 x1	3350	11600	5.2
3211ARo	DN150x4	DN200 x2	DN80 x1	DN80 x1	DN40x2	DN40 x1	3580	12570	5.2
3212ARo	DN150x4	DN200 x2	DN80 x1	DN80 x1	DN40x2	DN40 x1	3605	12595	5.2
3611ARo	DN200x4	DN250x2	DN100 x1	DN100 x1	DN40x2	DN40 x2	6450	21750	5.2
3612ARo	DN200x4	DN250x2	DN100 x1	DN100 x1	DN40x2	DN40 x2	6490	21790	5.2
4011ARo	DN200x4	DN250x2	DN100 x1	DN100 x1	DN40x2	DN40 x2	7100	26835	5.2
4012ARo	DN200x4	DN250x2	DN100 x1	DN100 x1	DN40x2	DN40 x2	7140	26875	5.7
4013ARo	DN200x4	DN250x2	DN100 x1	DN100 x1	DN40x2	DN40 x2	7390	27125	6.3

* Significance of the model names:

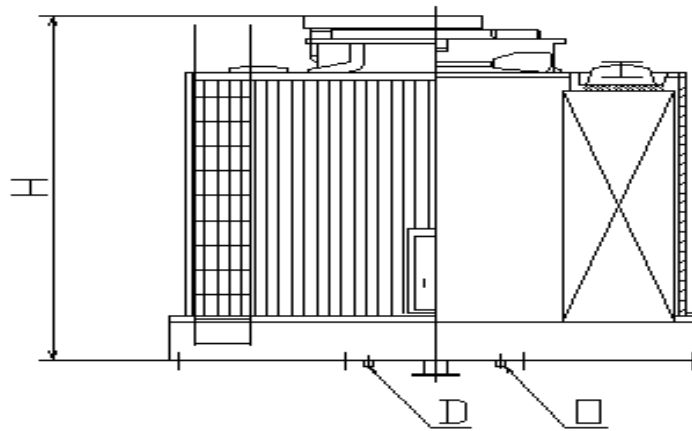
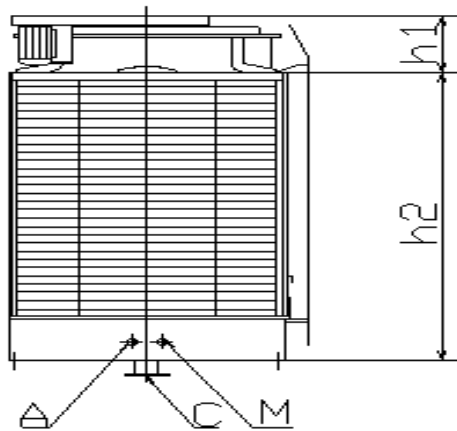
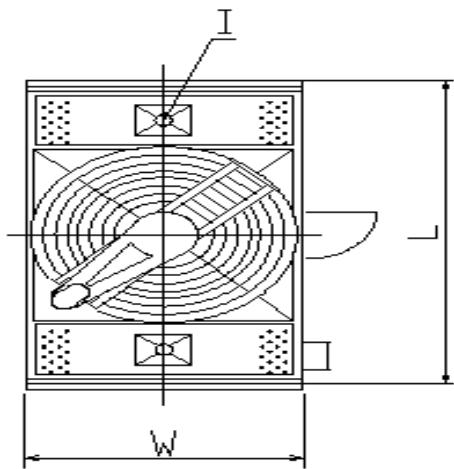
GXE	-	1211ARo
KUKEN, Cross-flow, Open type		Model code



东莞空研冷却塔有限公司

II. Drawings:

(1) Model: GXE1211-2415ARo





东莞空研冷却塔有限公司

(2)Model: GXE2611-4013ARo

