

OTTC-C SERIES [COUNTER FLOW] [Low Noise Closed Circuit Type]

Engineering Data Information

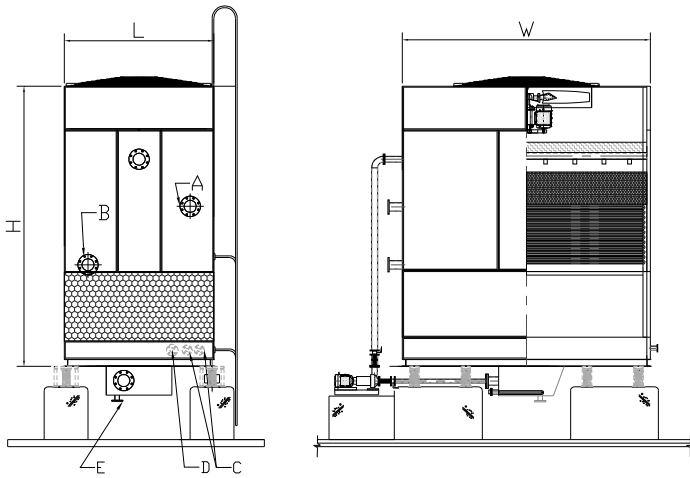
Temperature Condition	: 37-32/27°C
Fan Type	: Axial Fan
Fan Blade Type	: Wide Airfoil
Nozzle Type	: Low Pressure Spary
Driver System	: V-Belt type
Motor Type	: T.E.A.O
Closed Circuit Coil	: Coil Tube

Material

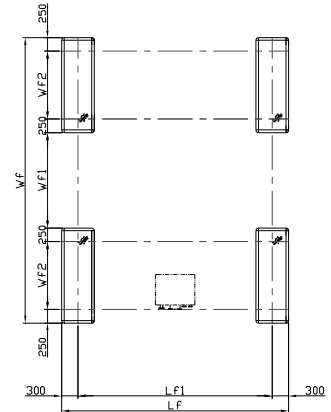
Casing / Bain	: Galvanized C.S (Z27)
Structure	: Galvanized C.S (Z27)
Fan Blade	: AL. ALLOY
Fill/Louver/Eliminator	: P.V.C
Closed Circuit Coil	: Copper or SUS

Single Cell Engineering Data

Model	CRT	Heat Load	WATER	MOTOR	FAN DIA.	AIR	SHIPPING	OPERATING
		[Kcal/hr]	FLOW	(KW)	[mm]	VOLUME	WEIGHT	WEIGHT
			[m ³ /h]			[CMM]	[kg]	[kg]
OTTC-10C	10	39,000	7.8	0.5	600	220	479	719
OTTC-13C	13	50,700	10.14	0.75	600	142	520	780
OTTC-15C	15	58,500	11.7	1.5	600	174	561	842
OTTC-20C	20	78,000	15.6	0.75	770	220	770	1,155
OTTC-25C	25	97,500	19.5	1.5	770	276	841	1,262
OTTC-35C	35	136,500	27.3	1.5	1200	383	1,309	1,964
OTTC-40C	40	156,000	31.2	2.2	1200	446	1,380	2,070
OTTC-50C	50	195,000	39	3	1200	574	1,511	2,267
OTTC-65C	65	253,500	50.7	2.2	1500	573	2,460	3,690
OTTC-75C	75	292,500	58.5	3.7	1500	701	2,621	3,932
OTTC-90C	90	351,000	70.2	3.7	1800	818	3,362	5,043
OTTC-100C	100	390,000	78	5.5	1800	940	3,534	5,301
OTTC-115C	115	448,500	89.7	5.5	2000	1,040	4,058	6,087
OTTC-125C	125	487,500	97.5	7.5	2000	1,168	4,230	6,345
OTTC-140C	140	546,000	109.2	11	2000	1,149	5,077	7,616
OTTC-150C	150	585,000	117	11	2000	1,262	5,249	7,874
OTTC-180C	180	702,000	140.4	15	2000	1,491	5,571	8,357
OTTC-190C	190	741,000	148.2	11	2400	1,598	6,056	9,084
OTTC-200C	200	780,000	156	15	2400	1,695	6,358	9,537
OTTC-230C	230	897,000	179.4	15	2400	1,906	7,699	11,549
OTTC-250C	250	975,000	195	18.5	2400	1,998	8,021	12,032
OTTC-280C	280	1,092,000	218.4	18.5	2600	2,195	9,202	13,803
OTTC-300C	300	1,170,000	234	22	2600	2,394	9,524	14,286
OTTC-350C	350	1,365,000	273	30	3000	2,796	10,627	15,941
OTTC-400C	400	1,560,000	312	30	3300	3,187	12,042	18,063
OTTC-465C	465	1,813,500	362.7	30	3600	3,579	13,555	20,333
OTTC-510C	510	1,989,000	397.8	45	3600	4,002	14,375	21,563
OTTC-560C	560	2,184,000	436.8	45	3800	4,032	15,120	22,400
OTTC-610C	610	2,379,000	475.8	55	3800	4,392	16,470	24,400
OTTC-660C	660	2,574,000	514.8	55	4200	4,752	17,820	26,400
OTTC-710C	710	2,769,000	553.8	75	4200	5,112	19,170	28,400
OTTC-765C	765	2,983,500	596.7	55	4200	5,508	20,655	30,600
OTTC-840C	840	3,276,000	655.2	75	4200	6,048	22,680	33,600
OTTC-815C	815	3,178,500	635.7	55	4200	5,868	22,005	32,600
OTTC-900C	900	3,510,000	702	75	4200	6,480	24,300	36,000



A	Hot Water Inlet	D	Over Flow
B	Cold Water Outlet	E	Drain
C	Make Up (Auto & Manual)		



Single Cell Dimension Data

Model	LENGTH L[mm]	WIDTH W[mm]	HEIGHT[mm]		PIPE [A]					FOUNDATION [mm]				
			INLET PIPE	DECK	OUTLET	INLET	MAKE UP	DRAIN	OVERFLO W	Lf	Lf1	Wf	Wf1	Wf2
OTTC-10C	900	1800	900	2300	40	40	15(A)	32	32	1450	850	2050	500	275
OTTC-13C	900	1800	900	2300	40	40	15(A)	32	32	1450	850	2050	500	275
OTTC-15C	900	1800	900	2300	50	50	15(A)	32	32	1450	850	2050	500	275
OTTC-20C	1100	2400	900	2300	50	50	15(A)	32	32	1650	1050	2650	500	575
OTTC-25C	1100	2400	900	2300	80	80	15(A)	32	32	1650	1050	2650	500	575
OTTC-35C	1600	3300	900	2300	80	80	15(A)	32	32	2150	1550	3450	500	975
OTTC-40C	1600	3300	900	2300	80	80	15(A)	32	32	2150	1550	3450	500	975
OTTC-50C	1600	3300	900	2300	80	80	15(A)	32	32	2150	1550	3450	500	975
OTTC-65C	1750	3400	1100	3200	100	100	25(2)	50	50	2300	1700	3450	500	975
OTTC-75C	1750	3400	1100	3200	100	100	25(2)	50	50	2300	1700	3450	500	975
OTTC-90C	2050	3700	1400	3500	100	100	25(2)	50	50	2600	2000	3850	1000	925
OTTC-100C	2050	3700	1400	3500	125	125	25(2)	50	50	2600	2000	3850	1000	925
OTTC-115C	2400	4000	1700	4450	125	125	25(2)	50	50	2850	2250	3850	1000	925
OTTC-125C	2400	4000	1700	4450	125	125	32(2)	50	50	2850	2250	3850	1000	925
OTTC-140C	2400	4000	1700	4450	150	150	32(2)	50	50	2850	2250	4450	1000	1225
OTTC-150C	2400	4400	1700	4450	150	150	32(2)	50	50	2850	2250	4450	1000	1225
OTTC-180C	2400	4400	1700	4450	150	150	32(2)	50	50	2850	2250	4450	1000	1225
OTTC-190C	2800	4400	1700	4450	175	175	32(2)	50	50	3350	2750	4450	1000	1225
OTTC-200C	2800	4400	1700	4450	175	175	32(2)	50	50	3350	2750	4450	1000	1225
OTTC-230C	2800	5000	2000	5150	175	175	32(2)	50	50	3350	2750	5150	1500	1325
OTTC-250C	2800	5000	2000	5150	175	175	32(2)	50	50	3350	2750	5150	1500	1325
OTTC-280C	3200	5400	2000	5400	150(2)	150(2)	32(2)	50	50	3750	3150	5450	1500	1475
OTTC-300C	3200	5400	2000	5400	150(2)	150(2)	50(2)	80	80	3750	3150	5450	1500	1475
OTTC-350C	3600	5400	2000	5700	150(2)	150(2)	50(2)	80	80	4150	3550	5450	1500	1475
OTTC-400C	3900	6000	2000	5825	150(2)	150(2)	50(2)	80	80	4450	3850	5950	1500	1725
OTTC-465C	4200	6000	2000	5825	175(2)	175(2)	50(2)	80	80	4750	4150	6450	1500	1975
OTTC-510C	4200	6000	2000	5825	175(2)	175(2)	50(2)	80	80	4750	4150	6450	1500	1975
OTTC-560C	4600	6000	2500	6625	200(2)	200(2)	50(2)	80	80	5150	4550	6450	1500	1975
OTTC-610C	4600	6000	2500	6625	200(2)	200(2)	50(2)	80	80	5150	4550	6450	1500	1975
OTTC-660C	5150	6000	2500	6625	200(2)	200(2)	50(2)	80	80	5700	5100	6450	1500	1975
OTTC-710C	5150	6000	2500	6625	250(2)	250(2)	50(2)	80	80	5700	5100	6450	1500	1975
OTTC-765C	6000	6000	2500	6625	250(2)	250(2)	50(2)	80	80	6550	5950	6450	1500	1975
OTTC-840C	6000	6000	2500	6625	250(2)	250(2)	50(2)	80	80	6550	5950	6450	1500	1975
OTTC-815C	6000	6600	2500	6625	250(2)	250(2)	50(2)	80	80	6550	5950	7050	1500	2575
OTTC-900C	6000	6600	2500	6625	250(2)	250(2)	80(2)	100	100	6550	5950	7050	1500	2575

위 Engineering 및 Dimension Data는 제품성능 향상과 개선을 위해 예고 없이 변경될 수도 있습니다.

OTTC-CS SERIES [COUNTER FLOW] [Super Low Noise Closed Circuit Type]

Engineering Data Information

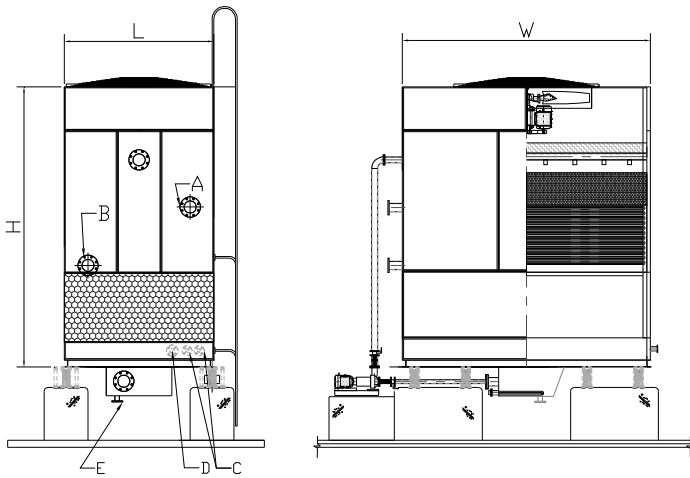
Temperature Condition	: 37-32/27°C
Fan Type	: Axial Fan
Fan Blade Type	: Wide Airfoil
Nozzle Type	: Low Pressure Spay
Driver System	: V-Belt type
Motor Type	: T.E.A.O
Closed Circuit Coil	: Coil Tube

Material

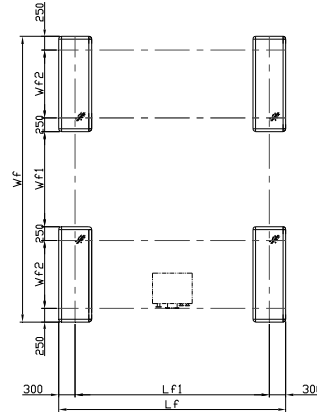
Casing / Bain	: Galvanized C.S (Z27)
Structure	: Galvanized C.S (Z27)
Fan Blade	: AL. ALLOY
Fill/Louver/Eliminator	: P.V.C
Closed Circuit Coil	: Copper or SUS

Single Cell Engineering Data

Model	CRT	Heat Load	WATER	MOTOR	FAN DIA.	AIR	SHIPPING	OPERATING
		[Kcal/hr]	FLOW	(KW)	[mm]	VOLUME	WEIGHT	WEIGHT
			[m ³ /h]			[CMM]	[kg]	[kg]
OTTC-9CS	9	35,100	7.02	0.37	600	199	479	719
OTTC-11CS	11	42,900	8.58	0.5	600	124	520	780
OTTC-12CS	12	46,800	9.36	0.75	600	138	561	842
OTTC-17CS	17	66,300	13.26	0.5	770	192	770	1,155
OTTC-20CS	20	78,000	15.6	0.75	770	219	841	1,262
OTTC-28CS	28	109,200	21.84	0.75	1200	304	1,309	1,964
OTTC-35CS	35	136,500	27.3	1.5	1200	392	1,380	2,070
OTTC-45CS	45	175,500	35.1	2.2	1200	518	1,511	2,267
OTTC-57CS	57	222,300	44.46	1.5	1500	504	2,460	3,690
OTTC-63CS	63	245,700	49.14	2.2	1500	589	2,621	3,932
OTTC-75CS	75	292,500	58.5	2.2	1800	688	3,362	5,043
OTTC-88CS	88	343,200	68.64	3.7	1800	824	3,534	5,301
OTTC-100CS	100	390,000	78	3.7	2000	911	4,058	6,087
OTTC-113CS	113	440,700	88.14	5.5	2000	1,053	4,230	6,345
OTTC-125CS	125	487,500	97.5	7.5	2000	1,011	5,077	7,616
OTTC-132CS	132	514,800	102.96	7.5	2000	1,110	5,249	7,874
OTTC-160CS	160	624,000	124.8	11	2000	1,345	5,571	8,357
OTTC-165CS	165	643,500	128.7	7.5	2400	1,406	6,056	9,084
OTTC-180CS	180	702,000	140.4	11	2400	1,529	6,358	9,537
OTTC-205CS	205	799,500	159.9	11	2400	1,719	7,699	11,549
OTTC-230CS	230	897,000	179.4	15	2400	1,863	8,021	12,032
OTTC-260CS	260	1,014,000	202.8	15	2600	2,047	9,202	13,803
OTTC-280CS	280	1,092,000	218.4	18.5	2600	2,260	9,524	14,286
OTTC-300CS	300	1,170,000	234	18.5	3000	2,380	10,627	15,941
OTTC-360CS	360	1,404,000	280.8	22	3300	2,874	12,042	18,063
OTTC-390CS	390	1,521,000	304.2	22	3600	3,228	13,555	20,333
OTTC-445CS	445	1,735,500	347.1	30	3600	3,496	14,375	21,563
OTTC-525CS	525	2,047,500	409.5	37	3800	3,777	15,120	22,400
OTTC-570CS	570	2,223,000	444.6	45	3800	4,108	16,470	24,400
OTTC-660CS	660	2,574,000	514.8	45	4200	4,445	17,820	26,400
OTTC-710CS	710	2,769,000	553.8	55	4200	4,610	19,170	28,400
OTTC-715CS	715	2,788,500	557.7	45	4200	5,152	20,655	30,600
OTTC-757CS	757	2,952,300	590.46	55	4200	5,454	22,680	33,600
OTTC-762CS	762	2,971,800	594.36	45	4200	5,488	22,005	32,600
OTTC-811CS	811	3,162,900	632.58	55	4200	5,844	24,300	36,000



A	Hot Water Inlet	D	Over Flow
B	Cold Water Outlet	E	Drain
C	Make Up (Auto & Manual)		



Single Cell Dimension Data

Model	LENGTH L[mm]	WIDTH W[mm]	HEIGHT[mm]		PIPE [A]					FOUNDATION [mm]				
			INLET PIPE E	DECK	OUTLET	INLET	MAKE UP	DRAIN	OVERFLOW	Lf	Lf1	Wf	Wf1	Wf2
OTTC-9CS	900	1800	900	2300	40	40	15(A)	32	32	1450	850	2050	500	275
OTTC-11CS	900	1800	900	2300	40	40	15(A)	32	32	1450	850	2050	500	275
OTTC-12CS	900	1800	900	2300	50	50	15(A)	32	32	1450	850	2050	500	275
OTTC-17CS	1100	2400	900	2300	50	50	15(A)	32	32	1650	1050	2650	500	575
OTTC-20CS	1100	2400	900	2300	80	80	15(A)	32	32	1650	1050	2650	500	575
OTTC-28CS	1600	3300	900	2300	80	80	15(A)	32	32	2150	1550	3450	500	975
OTTC-35CS	1600	3300	900	2300	80	80	15(A)	32	32	2150	1550	3450	500	975
OTTC-45CS	1600	3300	900	2300	80	80	15(A)	32	32	2150	1550	3450	500	975
OTTC-57CS	1750	3400	1100	3200	100	100	25(2)	50	50	2300	1700	3450	500	975
OTTC-63CS	1750	3400	1100	3200	100	100	25(2)	50	50	2300	1700	3450	500	975
OTTC-75CS	2050	3700	1400	3500	100	100	25(2)	50	50	2600	2000	3850	1000	925
OTTC-88CS	2050	3700	1400	3500	125	125	25(2)	50	50	2600	2000	3850	1000	925
OTTC-100CS	2400	4000	1700	4450	125	125	25(2)	50	50	2850	2250	3850	1000	925
OTTC-113CS	2400	4000	1700	4450	125	125	32(2)	50	50	2850	2250	3850	1000	925
OTTC-125CS	2400	4000	1700	4450	150	150	32(2)	50	50	2850	2250	4450	1000	1225
OTTC-132CS	2400	4400	1700	4450	150	150	32(2)	50	50	2850	2250	4450	1000	1225
OTTC-160CS	2400	4400	1700	4450	150	150	32(2)	50	50	2850	2250	4450	1000	1225
OTTC-165CS	2800	4400	1700	4450	175	175	32(2)	50	50	3350	2750	4450	1000	1225
OTTC-180CS	2800	4400	1700	4450	175	175	32(2)	50	50	3350	2750	4450	1000	1225
OTTC-205CS	2800	5000	2000	5150	175	175	32(2)	50	50	3350	2750	5150	1500	1325
OTTC-230CS	2800	5000	2000	5150	175	175	32(2)	50	50	3350	2750	5150	1500	1325
OTTC-260CS	3200	5400	2000	5400	150(2)	150(2)	32(2)	50	50	3750	3150	5450	1500	1475
OTTC-280CS	3200	5400	2000	5400	150(2)	150(2)	50(2)	80	80	3750	3150	5450	1500	1475
OTTC-300CS	3600	5400	2000	5700	150(2)	150(2)	50(2)	80	80	4150	3550	5450	1500	1475
OTTC-360CS	3900	6000	2000	5825	150(2)	150(2)	50(2)	80	80	4450	3850	5950	1500	1725
OTTC-390CS	4200	6000	2000	5825	175(2)	175(2)	50(2)	80	80	4750	4150	6450	1500	1975
OTTC-445CS	4200	6000	2000	5825	175(2)	175(2)	50(2)	80	80	4750	4150	6450	1500	1975
OTTC-525CS	4600	6000	2500	6625	200(2)	200(2)	50(2)	80	80	5150	4550	6450	1500	1975
OTTC-570CS	4600	6000	2500	6625	200(2)	200(2)	50(2)	80	80	5150	4550	6450	1500	1975
OTTC-660CS	5150	6000	2500	6625	200(2)	200(2)	50(2)	80	80	5700	5100	6450	1500	1975
OTTC-710CS	5150	6000	2500	6625	250(2)	250(2)	50(2)	80	80	5700	5100	6450	1500	1975
OTTC-715CS	6000	6000	2500	6625	250(2)	250(2)	50(2)	80	80	6550	5950	6450	1500	1975
OTTC-757CS	6000	6000	2500	6625	250(2)	250(2)	50(2)	80	80	6550	5950	6450	1500	1975
OTTC-762CS	6000	6600	2500	6625	250(2)	250(2)	50(2)	80	80	6550	5950	7050	1500	2575
OTTC-811CS	6000	6600	2500	6625	250(2)	250(2)	80(2)	100	100	6550	5950	7050	1500	2575

위 Engineering 및 Dimension Data는 제품성능 향상과 개선을 위해 예고 없이 변경될 수도 있습니다.