

OTTX-C SERIES [CROSS FLOW] [Low Noise Closed Circuit Type]

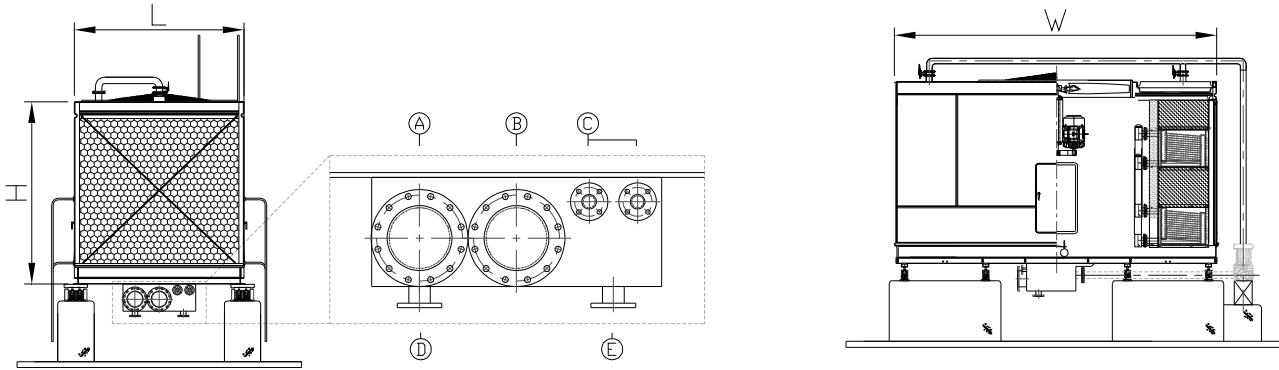
Engineering Data Information

Temperature Condition	: 37-32/27°C	Material	
Fan Type	: Axial Fan	Casing / Bain	: Galvanized C.S (Z27)
Fan Blade Type	: Wide Airfoil	Structure	: Galvanized C.S (Z27)
Nozzle Type	: Open gravity Fall	Fan Blade	: AL. ALLOY
Driver System	: V-Belt type	Fill/Louver/Eliminator	: P.V.C
Motor Type	: T.E.A.O	Closed Circuit Coil	: Copper or SUS
Closed Circuit Coil	: Coil Tube		

Single Cell Engineering Data

Model	CRT	Heat Load	WATER	모터	FAN DIA.	AIR	SHIPPING	OPERATING
		[Kcal/hr]	FLOW	(KW)	[mm]	VOLUME	WEIGHT	WEIGHT
			[m³/h]			[CMM]	[kg]	[kg]
OTTX-65C	65	253,500	50.7	2.2	1500	605	2,025	3,580
OTTX-75C	75	292,500	58.5	3.7		726	2,240	3,834
OTTX-85C	85	331,500	66.3	3.7	1800	846	2,685	4,638
OTTX-100C	100	390,000	78	5.5		968	2,900	4,892
OTTX-115C	115	448,500	89.7	5.5	2000	1,089	3,165	5,606
OTTX-125C	125	487,500	97.5	7.5		1,210	3,370	5,860
OTTX-140C	140	546,000	109.2	7.5	2000	1,330	3,795	6,574
OTTX-150C	150	585,000	117	11		1,451	4,010	6,828
OTTX-170C	170	663,000	132.6	15		1,694	4,420	7,316
OTTX-175C	175	682,500	136.5	11	2400	1,662	4,930	8,476
OTTX-200C	200	780,000	156	15		1,935	5,340	8,964
OTTX-225C	225	877,500	175.5	15	2400	2,178	6,170	10,712
OTTX-260C	260	1,014,000	202.8	18.5		2,419	6,580	11,200
OTTX-300C	300	1,170,000	234	22	2600	2,903	7,880	13,116
OTTX-360C	360	1,404,000	280.8	30	3000	3,387	8,680	15,052
OTTX-410C	410	1,599,000	319.8	30	3300	3,870	10,820	17,924
OTTX-460C	460	1,794,000	358.8	37	3600	4,354	13,600	21,360
OTTX-560C	560	2,184,000	436.8	45	3300	5,322	15,060	24,232
OTTX-610C	610	2,379,000	475.8	56		5,806	15,460	25,232
OTTX-700C	700	2,730,000	546	56	3600	6,532	18,300	29,040
OTTX-780C	780	3,042,000	608.4	75		7,258	18,800	30,040

A	Hot Water Inlet	D	Over Flow
B	Cold Water Outlet	E	Drain
C	Make Up (Auto & Manual)		



Single Cell Dimension Data

Model	LENGTH L[mm]	WIDTH W[mm]	HEIGHT[mm]		FOUNDATION[mm]					PIPE LINE				
			H	H1	Lf	Lf1	Wf	Wf1	Wf2	A	B	C	D	E
OTTX-65C	1750	3900	2605	200	2220	1620	4120	1120	1000	100	100	20(2)	32	32
OTTX-75C														
OTTX-85C	2050	4100	2605	200	2520	1920	4320	1320	1000	125	125	32(2)	50	50
OTTX-100C														
OTTX-115C	2400	4400	2605	200	2870	2270	4620	1620	1000	150	150	32(2)	50	50
OTTX-125C														
OTTX-140C	2400	4900	2705	250	2870	2270	5120	1720	1200	150	150	32(2)	50	50
OTTX-150C														
OTTX-170C														
OTTX-175C	2800	5300	2705	250	3270	2670	5520	2120	1200	200	200	32(2)	50	50
OTTX-200C														
OTTX-225C	2800	5300	3005	250	3270	2670	5520	2120	1200	200	200	50(2)	80	80
OTTX-260C														
OTTX-300C	3200	5700	3005	300	3670	3070	5920	2520	1200	200	200	50(2)	80	80
OTTX-360C	3600	6100	3005	300	4070	3470	6320	2920	1200	250	250	50(2)	80	80
OTTX-410C	3900	6400	3005	300	4370	3770	6620	3220	1200	250	250	50(2)	80	80
OTTX-460C	4200	6900	3005	300	4670	4070	7120	3720	1200	250	250	50(2)	80	80
OTTX-560C	3900	6400	6005	350	4370	3770	6620	3220	1200	300	300	50(2)	80	80
OTTX-610C	3900	6400	6005	350	4370	3770	6620	3220	1200	300	300	50(2)	80	80
OTTX-700C	4200	6900	6005	350	4670	4070	7120	3720	1200	300	300	50(2)	80	80
OTTX-780C	4200	6900	6005	350	4670	4070	7120	3720	1200	350	350	80(2)	100	100

위 Engineering 및 Dimension Data는 제품성능 향상과 개선을 위해 예고 없이 변경될 수도 있습니다.

OTTX-CS SERIES [CROSS FLOW] [Super Low Noise Closed Circuit Type]

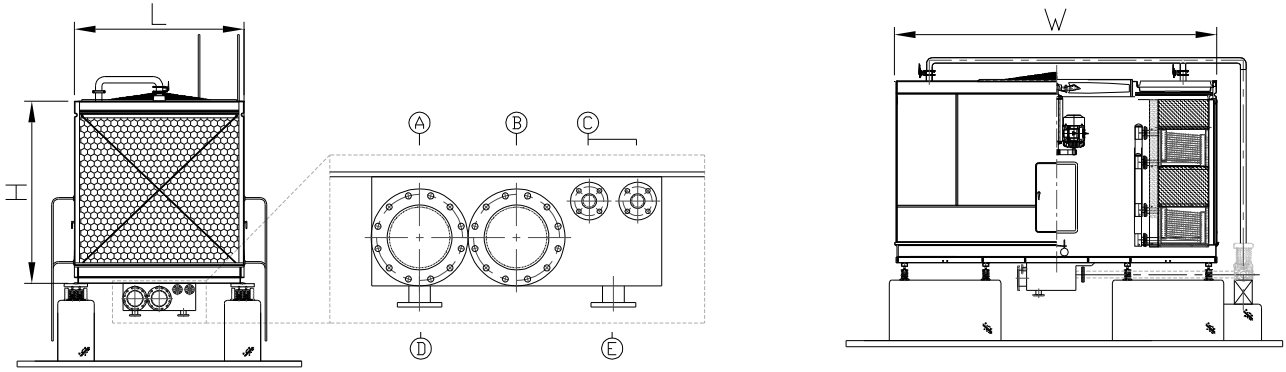
Engineering Data Information

Temperature Condition	: 37-32/27°C	Material	
Fan Type	: Axial Fan	Casing / Bain	: Galvanized C.S (Z27)
Fan Blade Type	: Wide Airfoil	Structure	: Galvanized C.S (Z27)
Nozzle Type	: Open gravity Fall	Fan Blade	: AL. ALLOY
Driver System	: V-Belt type	Fill/Louver/Eliminator	: P.V.C
Motor Type	: T.E.A.O	Closed Circuit Coil	: Copper or SUS
Closed Circuit Coil	: Coil Tube		

Single Cell Engineering Data

Model	CRT	Heat Load	WATER	모터	FAN DIA.	AIR	SHIPPING	OPERATING
		[Kcal/hr]	FLOW	(KW)	[mm]	VOLUME	WEIGHT	WEIGHT
			[m ³ /h]			[CMM]	[kg]	[kg]
OTTX-57CS	57	222,300	44.46	2.2	1500	532	2,023	3,578
OTTX-63CS	63	245,700	49.14	3.7		610	2,236	3,830
OTTX-72CS	72	280,800	56.16	3.7	1800	712	2,681	4,634
OTTX-88CS	88	343,200	68.64	5.5		848	2,895	4,887
OTTX-100CS	100	390,000	78	5.5	2000	954	3,160	5,601
OTTX-113CS	113	440,700	88.14	7.5		1,091	3,363	5,853
OTTX-125CS	125	487,500	97.5	7.5	2000	1,200	3,788	6,567
OTTX-140CS	140	546,000	109.2	11		1,277	3,999	6,817
OTTX-150CS	150	585,000	117	15		1,527	4,405	7,301
OTTX-155CS	155	604,500	120.9	11	2400	1,462	4,919	8,465
OTTX-175CS	175	682,500	136.5	15		1,745	5,325	8,949
OTTX-200CS	200	780,000	156	15	2400	1,964	6,155	10,697
OTTX-225CS	225	877,500	175.5	18.5		2,256	6,562	11,182
OTTX-280CS	280	1,092,000	218.4	22	2600	2,740	7,858	13,094
OTTX-325CS	325	1,267,500	253.5	30	3000	3,055	8,650	15,022
OTTX-370CS	370	1,443,000	288.6	30	3300	3,490	10,790	17,894
OTTX-425CS	425	1,657,500	331.5	37	3600	4,060	13,563	21,323
OTTX-525CS	525	2,047,500	409.5	45	3300	4,986	15,015	24,187
OTTX-570CS	570	2,223,000	444.6	56		5,398	15,404	25,176
OTTX-650CS	650	2,535,000	507	56	3600	6,073	18,244	28,984
OTTX-700CS	700	2,730,000	546	75		6,584	18,725	29,965

A	Hot Water Inlet	D	Over Flow
B	Cold Water Outlet	E	Drain
C	Make Up (Auto & Manual)		



Single Cell Dimension Data

Model	LENGTH L[mm]	WIDTH W[mm]												
			H	H1	Lf	Lf1	Wf	Wf1	Wf2	A	B	C	D	E
OTTX-57CS	1750	3900	2605	200	2220	1620	4120	1120	1000	100	100	20(2)	32	32
OTTX-63CS														
OTTX-72CS	2050	4100	2605	200	2520	1920	4320	1320	1000	125	125	32(2)	50	50
OTTX-88CS														
OTTX-100CS	2400	4400	2605	200	2870	2270	4620	1620	1000	150	150	32(2)	50	50
OTTX-113CS														
OTTX-125CS	2400	4900	2705	250	2870	2270	5120	1720	1200	150	150	32(2)	50	50
OTTX-140CS														
OTTX-150CS														
OTTX-155CS	2800	5300	2705	250	3270	2670	5520	2120	1200	200	200	32(2)	50	50
OTTX-175CS														
OTTX-200CS	2800	5300	3005	250	3270	2670	5520	2120	1200	200	200	50(2)	80	80
OTTX-225CS														
OTTX-280CS	3200	5700	3005	300	3670	3070	5920	2520	1200	200	200	50(2)	80	80
OTTX-325CS	3600	6100	3005	300	4070	3470	6320	2920	1200	250	250	50(2)	80	80
OTTX-370CS	3900	6400	3005	300	4370	3770	6620	3220	1200	250	250	50(2)	80	80
OTTX-425CS	4200	6900	3005	300	4670	4070	7120	3720	1200	250	250	50(2)	80	80
OTTX-525CS	3900	6400	6005	350	4370	3770	6620	3220	1200	300	300	50(2)	80	80
OTTX-570CS	3900	6400	6005	350	4370	3770	6620	3220	1200	300	300	50(2)	80	80
OTTX-650CS	4200	6900	6005	350	4670	4070	7120	3720	1200	300	300	50(2)	80	80
OTTX-700CS	4200	6900	6005	350	4670	4070	7120	3720	1200	350	350	80(2)	100	100

위 Engineering 및 Dimension Data는 제품성능 향상과 개선을 위해 예고 없이 변경될 수도 있습니다.