

Shanghai Tyacht Cooling System Co.Ltd

No.5 Anshan Road, Yangpu Commercial Center 16B-2, Shanghai, China

TEL: +86-021-55960572

FAX: +86-021-65045049-112

URL: <http://www.tyacht.com.cn/index.php>

MAIL: tyacht@tyacht.com.cn



Low Sound Cross-Flow Cooling Towers

TCT SERIES

Design Information



I. Outline of models

(Opened type, Cross Flow, and induced draft)

Models	Cooling capacity (37-32-27 °C)	Inlet and outlet pipe Diameter of host machine	Water rate (m ³ /h)	Fan		Outline dimension			Weight of host machine (kg)	Operating weight (kg)
				Power (KW)	Diameter (mm)	Length mm	Width mm	Height mm		
TCT-25C	133000Kcal/h	DN80×1 DN80×1	26.6	1.5	950	2350	1870	2180	510	900
TCT-30C	158500Kcal/h	DN100×1 DN100×1	31.7	1.5	1200	2830	1470	1630	630	1490
TCT-40C	211500Kcal/h	DN100×1 DN100×1	42.3	2.2	1200	2830	1470	1930	650	1520
TCT-50C	239000Kcal/h	DN100×1 DN100×1	47.8	2.2	1200	2830	1470	2230	690	1560
TCT-60C	330500Kcal/h	DN125×1 DN125×1	66.1	4.0	1600	3230	1870	2230	860	2100
TCT-80C	392000Kcal/h	DN125×1 DN125×1	78.4	4.0	1600	3230	1870	2630	930	2370
TCT-90C	443000Kcal/h	DN150×1 DN150×1	88.6	5.5	1600	3230	1870	2630	1080	2520
TCT-100C	505500Kcal/h	DN150×1 DN150×1	101.1	5.5	1800	3430	2070	3130	1210	2890
TCT-125C	635000Kcal/h	DN150×1 DN150×1	127.0	7.5	2000	3630	2270	2630	1130	3040
TCT-140C	686000Kcal/h	DN150×1 DN150×1	137.2	5.5	2000	3630	2270	3130	1280	3190



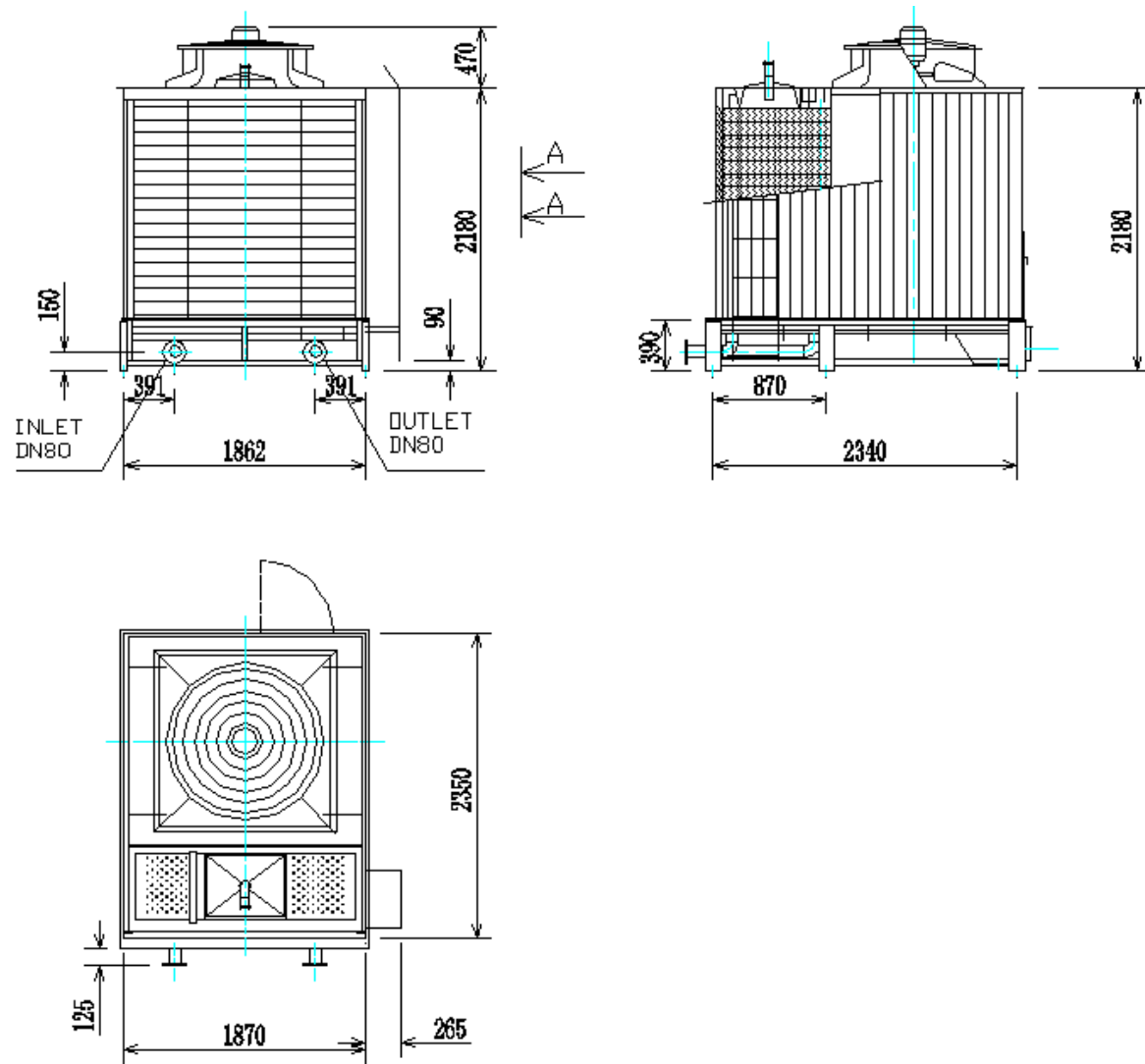
TCT-150C	784000 Kcal/h	DN150×1 DN150×1	156.8	7.5	2000	3630	2270	3130	1300	3210
----------	---------------	--------------------	-------	-----	------	------	------	------	------	------

* Significance of the model names:

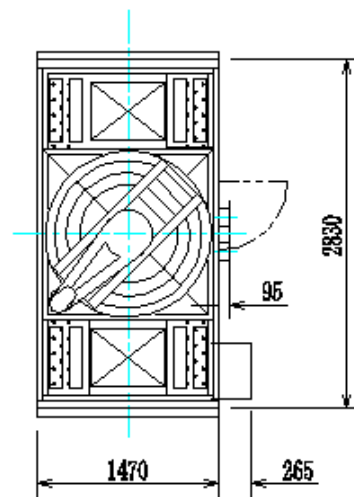
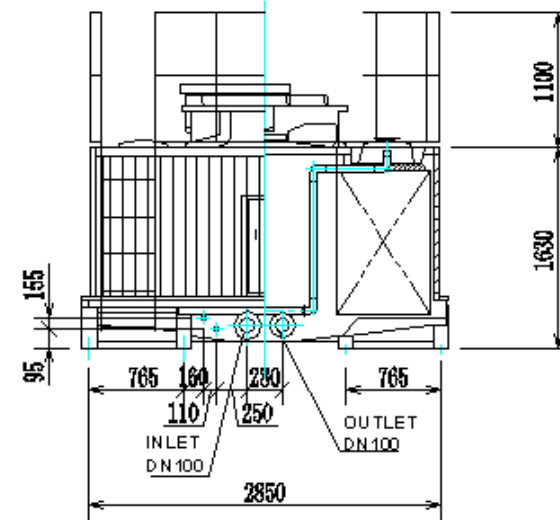
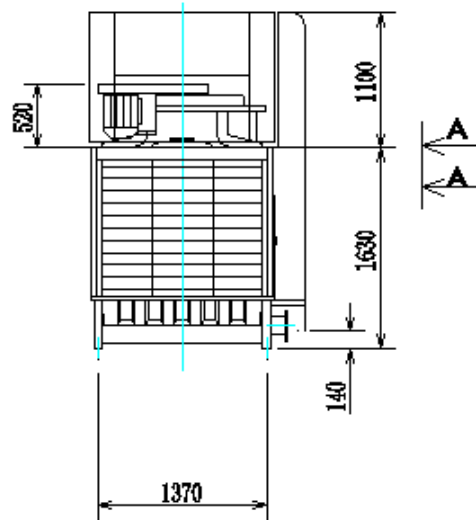
TCT	-	25C
Low Sound Cross-Flow Cooling Towers		Unit Model

II. Drawings:

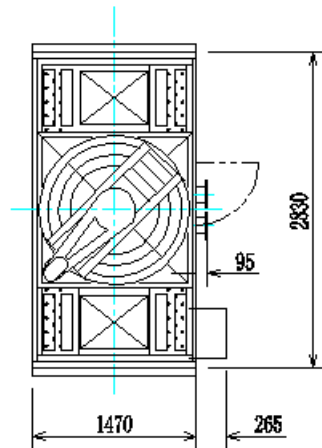
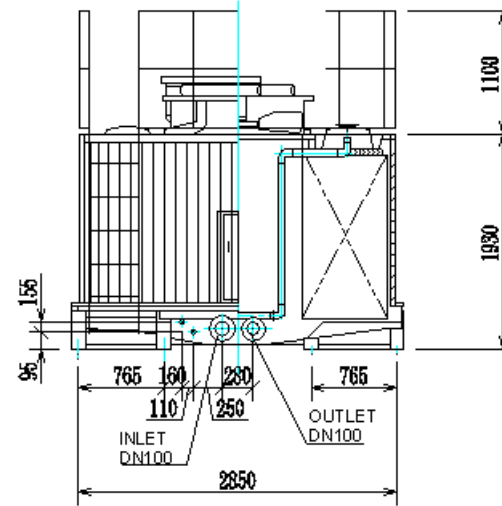
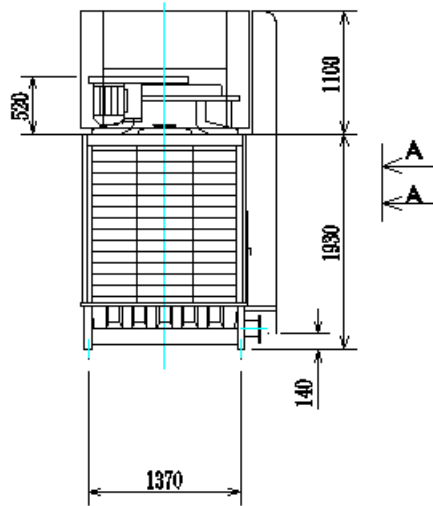
1) Model TCT-25C



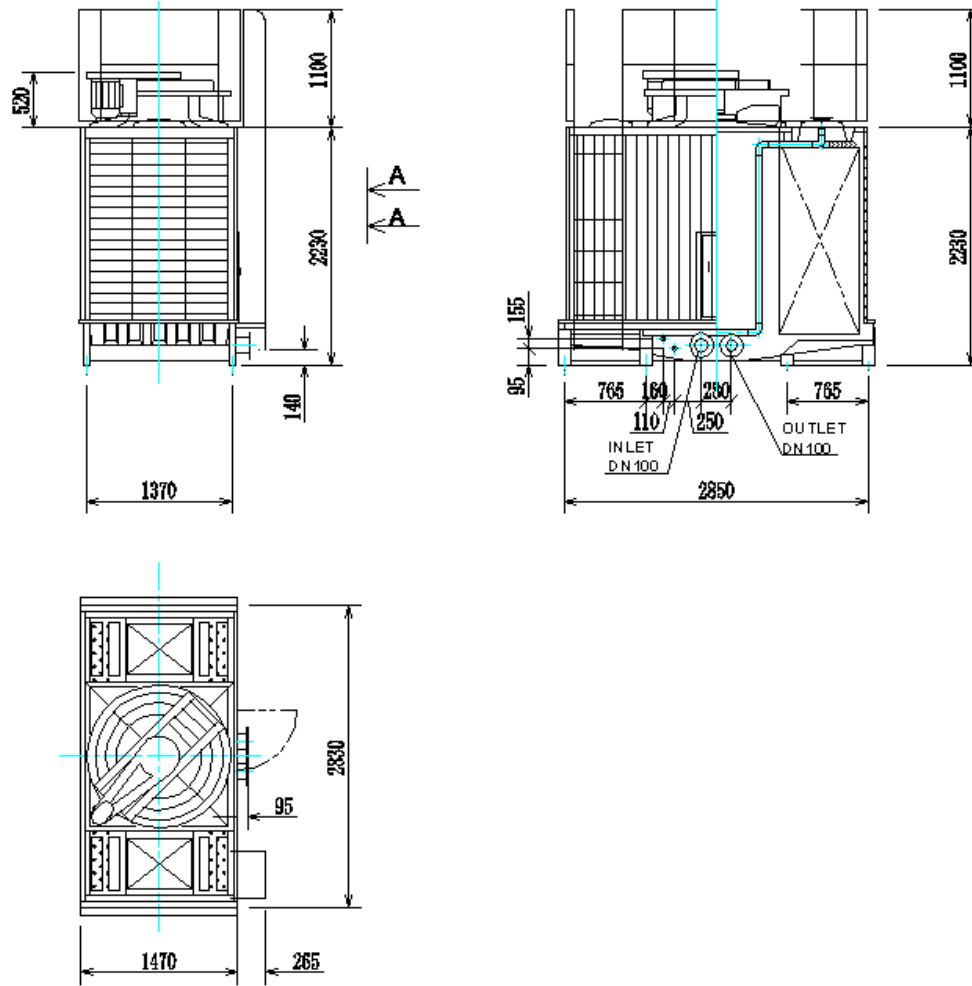
2) Model TCT-30C



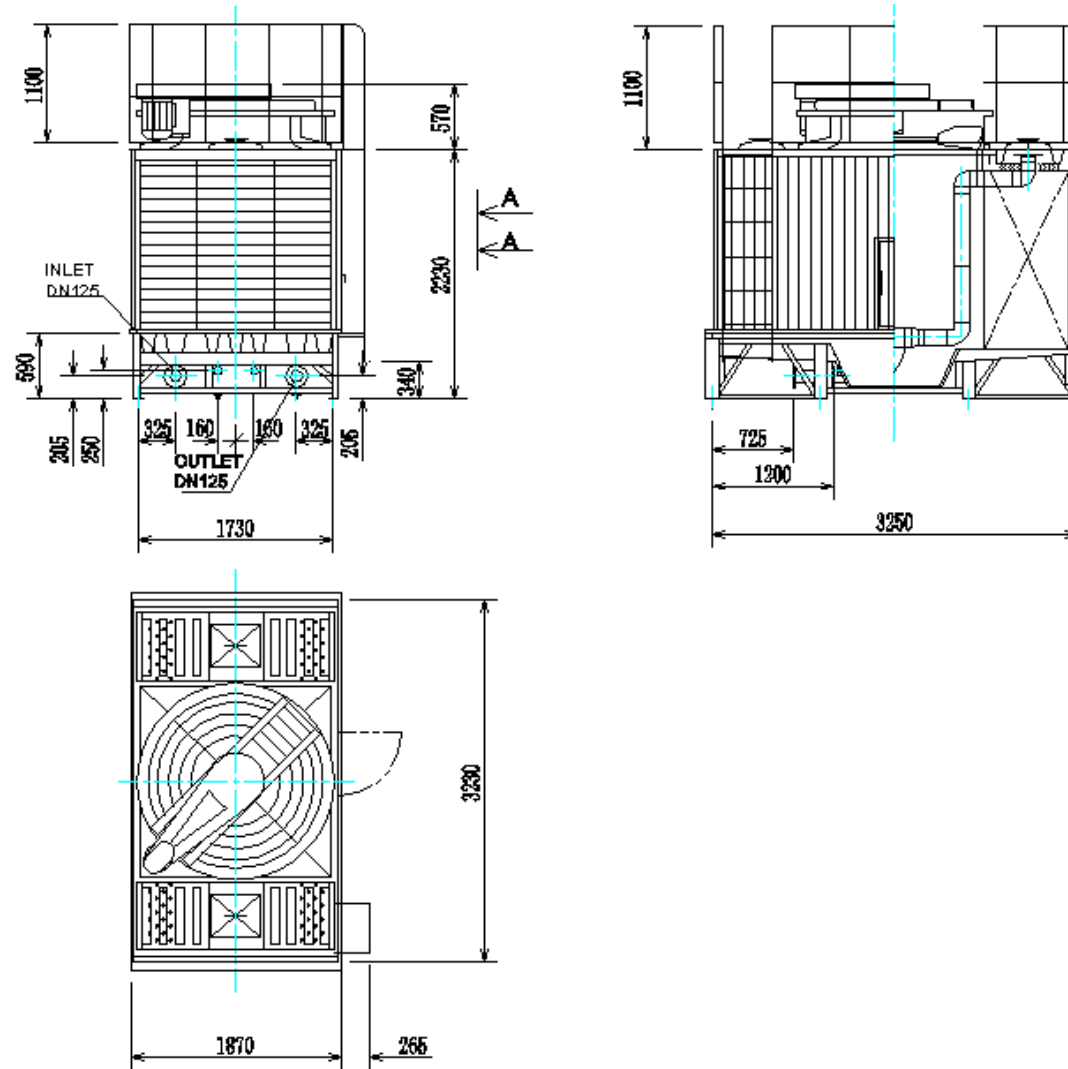
3) Model TCT-40C



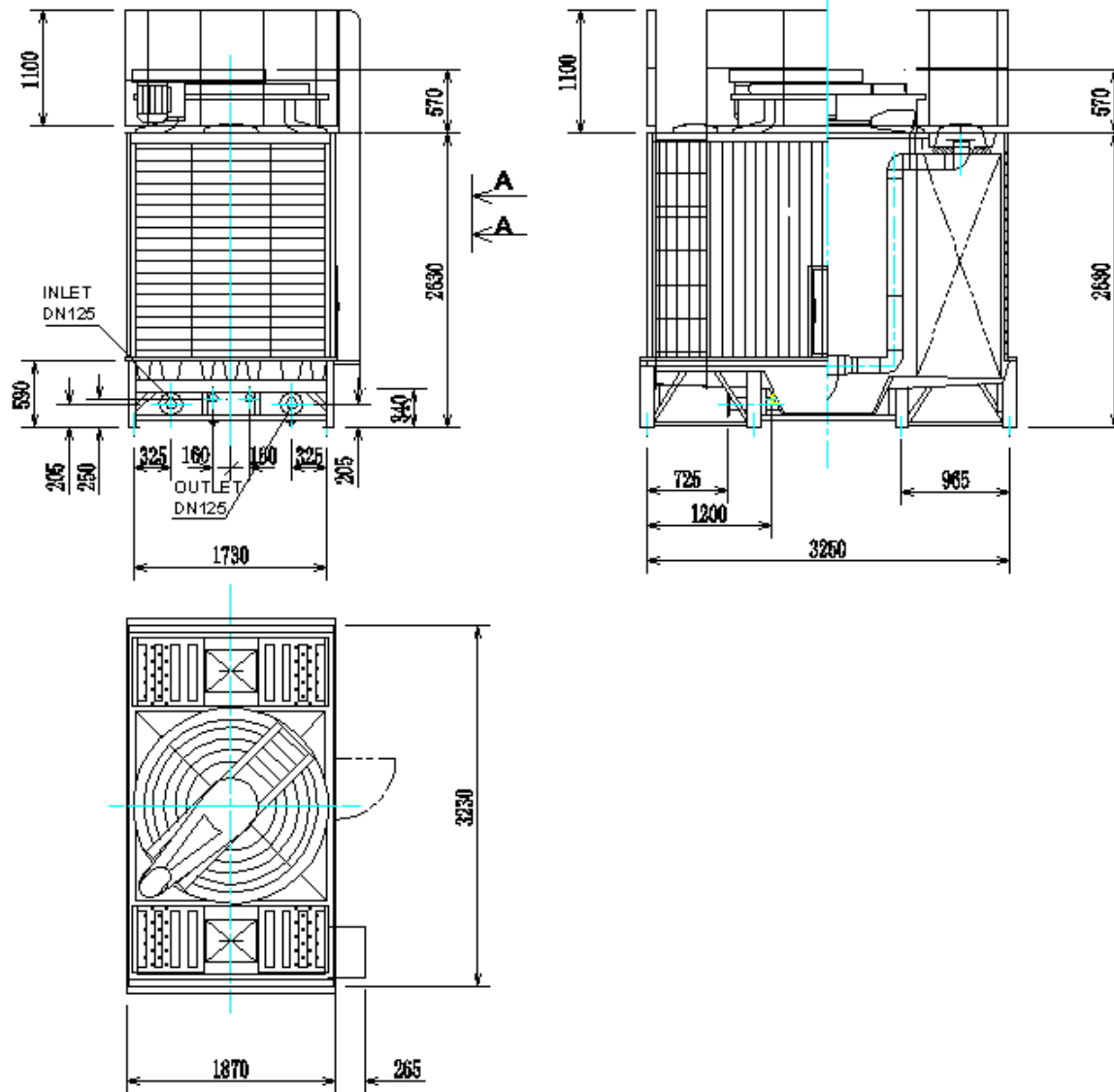
4) Model TCT-50C



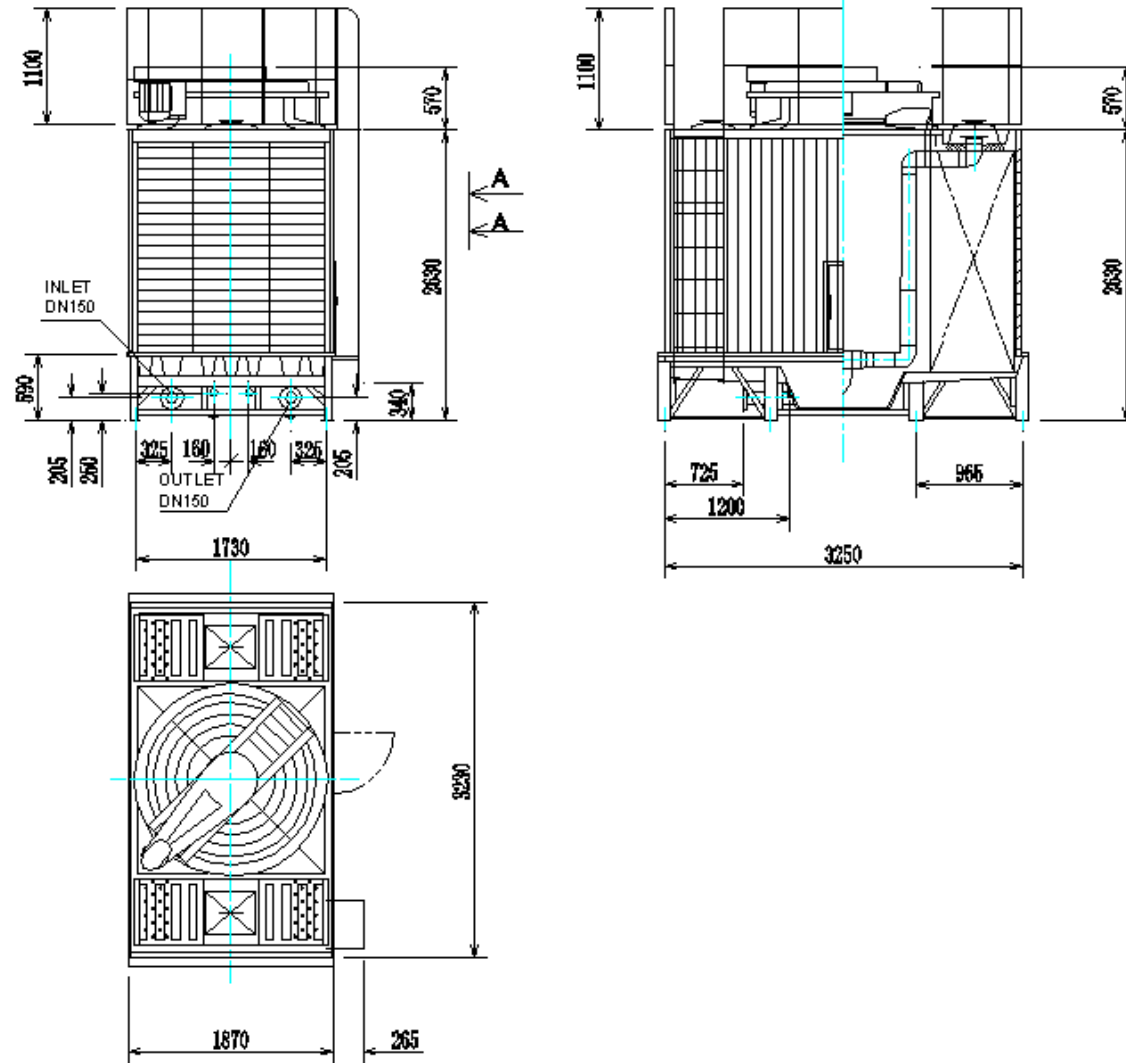
5) Model TCT-60C



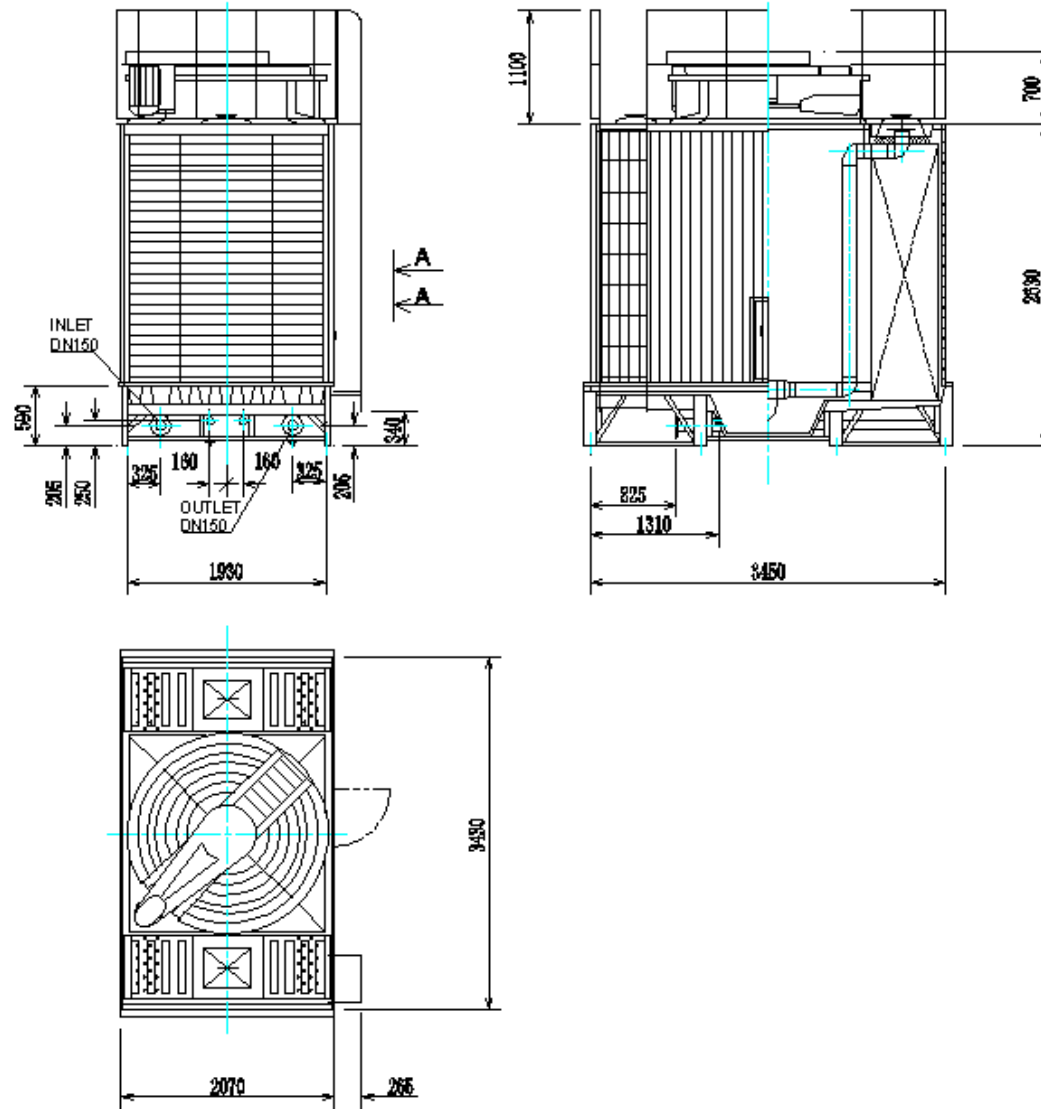
6) Model TCT-80C



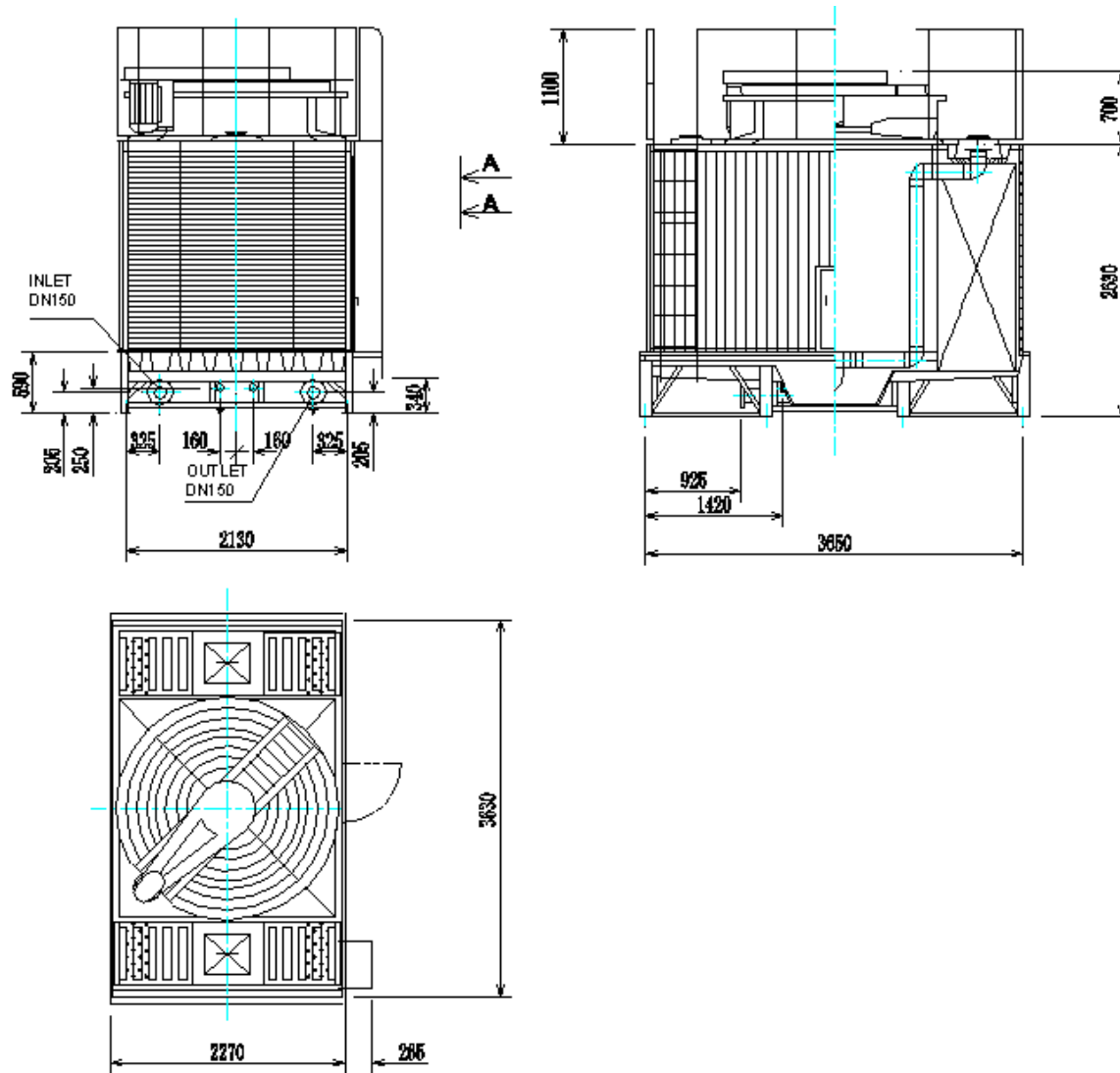
7) Model TCT-90C

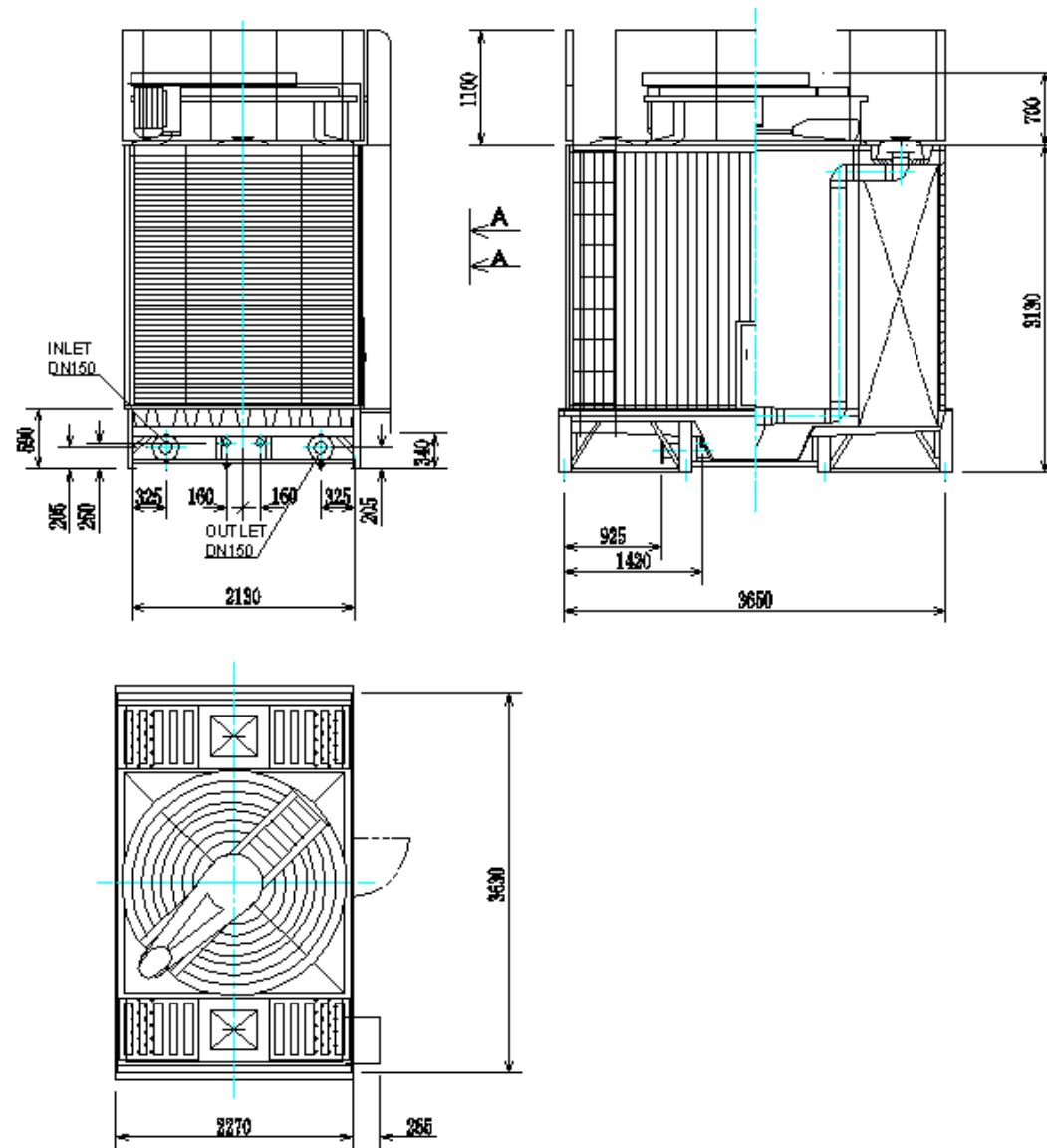


8) Model TCT-100C



9) Model TCT-125C





11) Model TCT-150C

