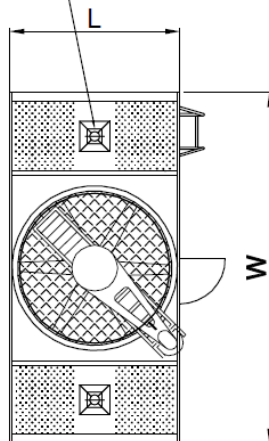
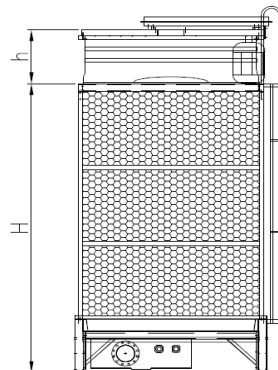


## VX-S SERIES RANGE

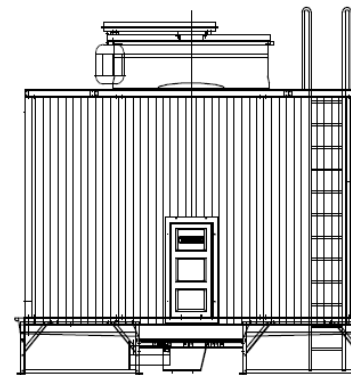
WATER INLET



PLAN VIEW



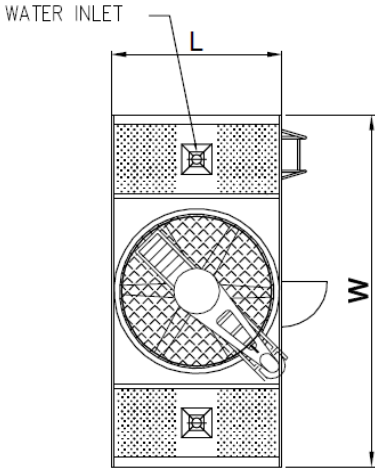
SIDE VIEW



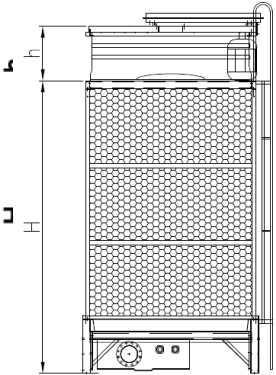
FRONT VIEW

Tower Model	Motor kW	Fan Diameter mm	Overall Dimension (mm)				Piping Dimension (mm)					
							External Piping	Internal Piping	Water Outlet	Overflow	Drain	Make Up Auto & Manual
			L	W	H	h						
VXS 2220A	4.0	2000	2280	3770	2750	600	125	150	200	50	50	50
VXS 2220B	5.5	2000	2280	3770	2750	600	125	150	200	50	50	50
VXS 2220C	7.5	2000	2280	3770	2750	600	125	150	250	50	50	50
VXS 2227A	4.0	2000	2280	3770	3460	600	125	150	200	50	50	50
VXS 2227B	5.5	2000	2280	3770	3460	600	125	150	250	50	50	50
VXS 2227C	7.5	2000	2280	3770	3460	600	125	150	250	50	50	50
VXS 2227D	11.0	2000	2280	3770	3460	600	125	150	250	50	50	50

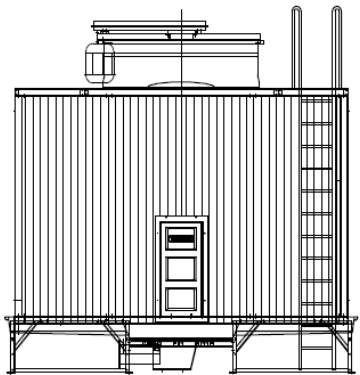
**VX-S SERIES RANGE**



PLAN VIEW



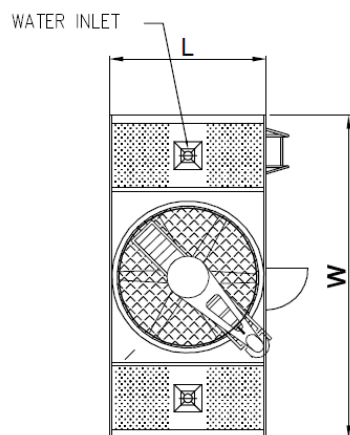
SIDE VIEW



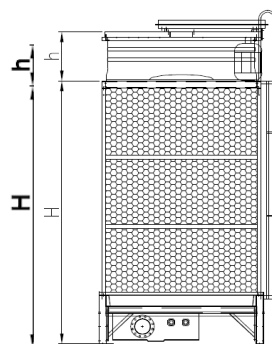
FRONT VIEW

Tower Model	Motor kW	Fan Diameter mm	Overall Dimension (mm)				Piping Dimension (mm)					
			L	W	H	h	External Piping	Internal Piping	Water Outlet	Overflow	Drain	Make Up Auto & Manual
VXS 2230A	4.0	2000	2280	4700	3800	600	125	150	200	50	50	50
VXS 2230B	5.5	2000	2280	4700	3800	600	125	150	200	50	50	50
VXS 2230C	7.5	2000	2280	4700	3800	600	125	200	250	50	50	50
VXS 2230D	11.0	2000	2280	4700	3800	600	125	200	250	50	50	50
VXS 2230E	15.0	2000	2280	4700	3800	600	150	200	250	80	50	50
VXS 2240A	4.0	2000	2280	4700	4800	600	125	150	200	50	50	50
VXS 2240B	5.5	2000	2280	4700	4800	600	125	200	250	50	50	50
VXS 2240C	7.5	2000	2280	4700	4800	600	125	200	250	50	50	50
VXS 2240D	11.0	2000	2280	4700	4800	600	150	200	250	50	50	50
VXS 2240E	15.0	2000	2280	4700	4800	600	150	200	250	50	50	50

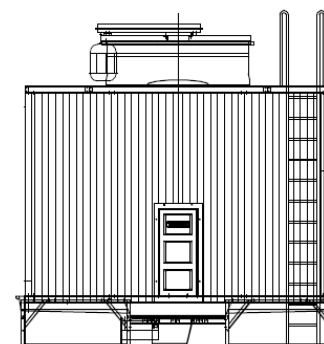
## VX-S SERIES RANGE



PLAN VIEW



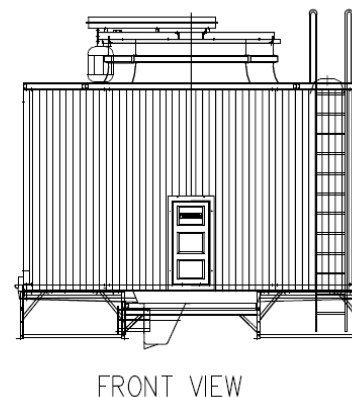
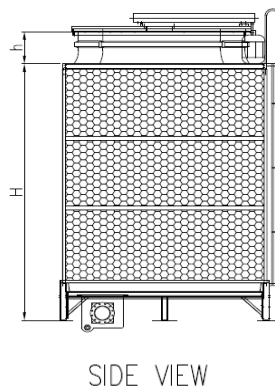
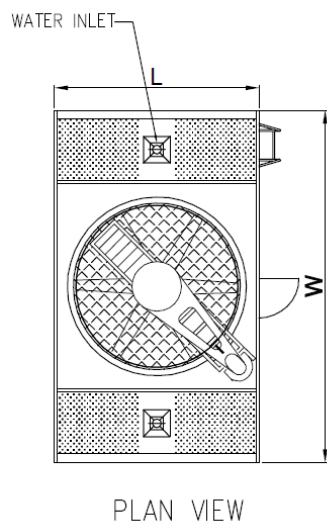
SIDE VIEW



FRONT VIEW

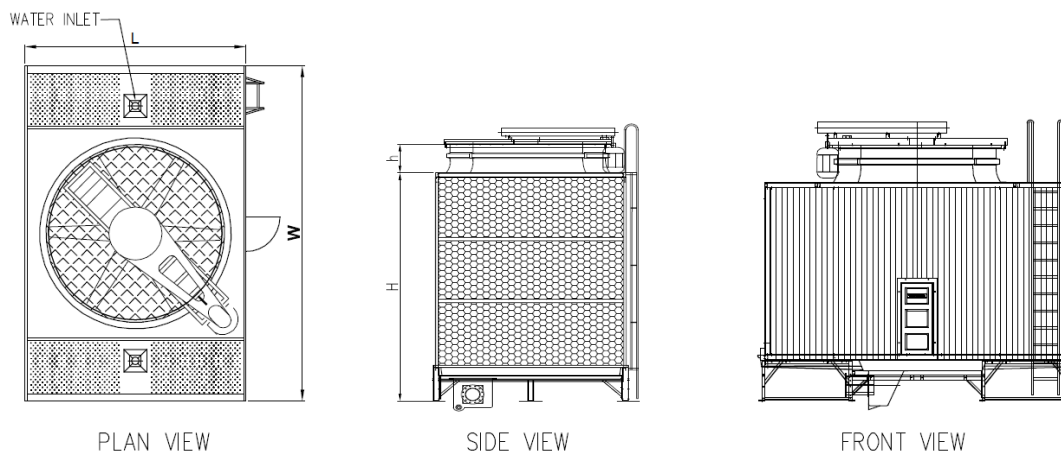
Tower Model	Motor kW	Fan Diameter mm	Overall Dimension (mm)				Piping Dimension (mm)					
			L	W	H	h	External Piping	Internal Piping	Water Outlet	Overflow	Drain	Make Up Auto & Manual
VXS 2625A	4.0	2135	2680	5000	3300	600	125	150	150	50	50	50
VXS 2625B	5.5	2135	2680	5000	3300	600	125	150	200	50	50	50
VXS 2625C	7.5	2135	2680	5000	3300	600	125	150	200	50	50	50
VXS 2625D	11.0	2135	2680	5000	3300	600	125	150	200	50	50	50
VXS 2625E	15.0	2135	2680	5000	3300	600	125	150	200	50	50	50
VXS 2630A	4.0	2135	2680	5000	3800	600	125	150	200	50	50	50
VXS 2630B	5.5	2135	2680	5000	3800	600	125	200	250	50	50	50
VXS 2630C	7.5	2135	2680	5000	3800	600	125	200	250	50	50	50
VXS 2630D	11.0	2135	2680	5000	3800	600	150	200	250	50	50	50
VXS 2630E	15.0	2135	2680	5000	3800	600	150	200	250	50	50	50
VXS 2640A	4.0	2135	2680	5000	4800	600	125	200	250	50	50	50
VXS 2640B	5.5	2135	2680	5000	4800	600	125	200	250	50	50	50
VXS 2640C	7.5	2135	2680	5000	4800	600	150	200	250	50	50	50
VXS 2640D	11.0	2135	2680	5000	4800	600	150	200	250	50	50	50
VXS 2640E	15.0	2135	2680	5000	4800	600	150	250	250	50	50	50

## VX-S SERIES RANGE



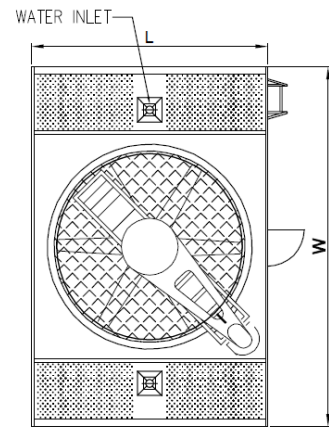
Tower Model	Motor kW	Fan Diameter mm	Overall Dimension (mm)				Piping Dimension (mm)					
							External Piping	Internal Piping	Water Outlet	Overflow	Drain	Make Up Auto & Manual
			L	W	H	h						
VXS 3030B	5.5	2440	3080	5300	3800	600	125	200	250	80	50	50
VXS 3030C	7.5	2440	3080	5300	3800	600	150	200	250	80	50	50
VXS 3030D	11.0	2440	3080	5300	3800	600	150	200	250	80	50	50
VXS 3030E	15.0	2440	3080	5300	3800	600	150	200	250	80	50	50
VXS 3030F	18.5	2440	3080	5300	3800	600	150	250	250	80	50	50
VXS 3030G	22.0	2440	3080	5300	3800	600	150	250	250	80	50	50
VXS 3040B	5.5	2440	3080	5300	4800	600	125	200	250	80	50	50
VXS 3040C	7.5	2440	3080	5300	4800	600	150	200	250	80	50	50
VXS 3040D	11.0	2440	3080	5300	4800	600	150	200	250	80	50	50
VXS 3040E	15.0	2440	3080	5300	4800	600	150	250	250	80	50	50
VXS 3040F	18.5	2440	3080	5300	4800	600	200	250	250	80	50	50
VXS 3040G	22.0	2440	3080	5300	4800	600	200	250	250	80	50	50

## VX-S SERIES RANGE

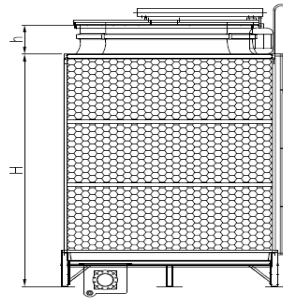


Tower Model	Motor kW	Fan Diameter mm	Overall Dimension (mm)				Piping Dimension (mm)					
			L	W	H	h	External Piping	Internal Piping	Water Outlet	Overflow	Drain	Make Up Auto & Manual
VXS 3430B	5.5	2745	3480	5600	3800	600	150	200	250	80	50	50
VXS 3430C	7.5	2745	3480	5600	3800	600	150	200	250	80	50	50
VXS 3430D	11.0	2745	3480	5600	3800	600	150	200	250	80	50	50
VXS 3430E	15.0	2745	3480	5600	3800	600	150	250	250	80	50	50
VXS 3430F	18.5	2745	3480	5600	3800	600	200	250	250	80	80	50
VXS 3430G	22.0	2745	3480	5600	3800	600	200	250	250	80	80	50
VXS 3440B	5.5	2745	3480	5600	4800	600	150	200	250	80	50	50
VXS 3440C	7.5	2745	3480	5600	4800	600	150	200	250	80	50	50
VXS 3440D	11.0	2745	3480	5600	4800	600	150	250	250	80	50	50
VXS 3440E	15.0	2745	3480	5600	4800	600	200	250	300	80	50	50
VXS 3440F	18.5	2745	3480	5600	4800	600	200	250	300	80	50	50
VXS 3440G	22.0	2745	3480	5600	4800	600	200	250	300	80	50	50
VXS 3440H	30.0	2745	3480	5600	4800	600	200	250	300	80	50	50

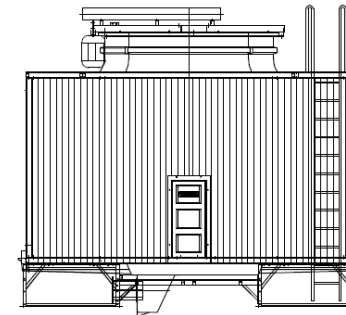
## VX-S SERIES RANGE



PLAN VIEW



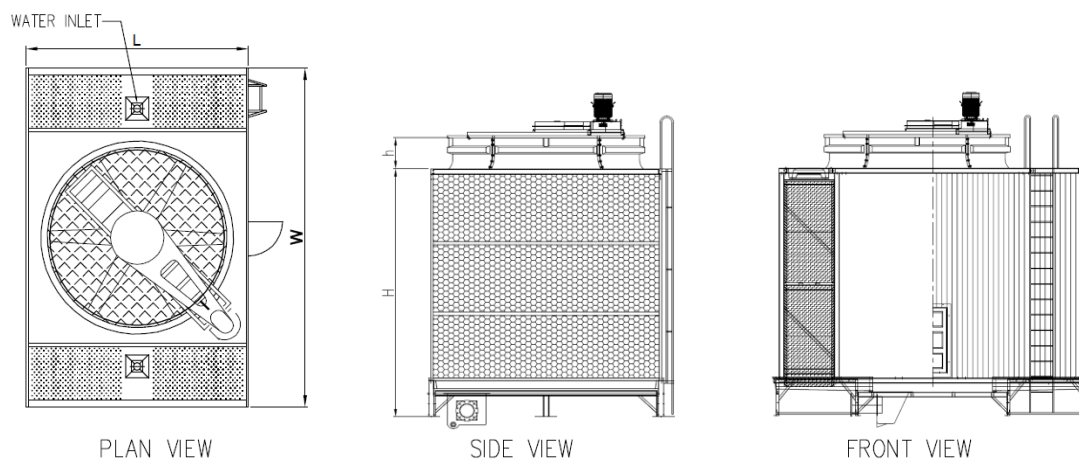
SIDE VIEW



FRONT VIEW

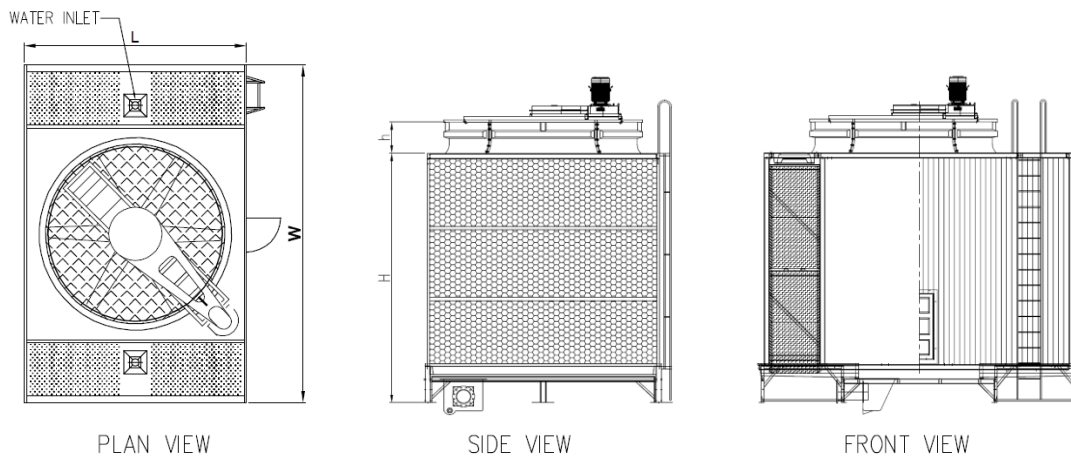
Tower Model	Motor kW	Fan Diameter mm	Overall Dimension (mm)				Piping Dimension (mm)					
							External Piping	Internal Piping	Water Outlet	Overflow	Drain	Make Up Auto & Manual
			L	W	H	h						
VXS 3830C	7.5	3050	3880	5900	3800	600	150	200	250	100	50	50
VXS 3830D	11.0	3050	3880	5900	3800	600	150	250	250	100	50	50
VXS 3830E	15.0	3050	3880	5900	3800	600	200	250	300	100	50	50
VXS 3830F	18.5	3050	3880	5900	3800	600	200	250	300	100	50	50
VXS 3830G	22.0	3050	3880	5900	3800	600	200	250	300	100	50	50
VXS 3830H	30.0	3050	3880	5900	3800	600	200	250	300	100	50	50
VXS 3830I	37.0	3050	3880	5900	3800	600	200	250	300	100	50	50
VXS 3840C	7.5	3050	3880	5900	4800	600	150	250	250	100	50	50
VXS 3840D	11.0	3050	3880	5900	4800	600	200	250	300	100	50	50
VXS 3840E	15.0	3050	3880	5900	4800	600	200	250	300	100	50	50
VXS 3840F	18.5	3050	3880	5900	4800	600	200	250	300	100	50	50
VXS 3840G	22.0	3050	3880	5900	4800	600	200	250	300	100	50	50
VXS 3840H	30.0	3050	3880	5900	4800	600	200	250	300	100	50	50
VXS 3840I	37.0	3050	3880	5900	4800	600	200	250	300	100	50	50

## VX-S SERIES RANGE



Tower Model	Motor kW	Fan Diameter mm	Overall Dimension (mm)				Piping Dimension (mm)					
							External Piping	Internal Piping	Water Outlet	Overflow	Drain	Make Up Auto & Manual
			L	W	H	h						
VXS 4230C	7.5	3355	4280	6200	3800	600	200	250	300	100	50	50
VXS 4230D	11.0	3355	4280	6200	3800	600	200	250	300	100	50	50
VXS 4230E	15.0	3355	4280	6200	3800	600	200	250	300	100	50	50
VXS 4230F	18.5	3355	4280	6200	3800	600	200	250	300	100	50	50
VXS 4230G	22.0	3355	4280	6200	3800	600	200	250	300	100	50	50
VXS 4230H	30.0	3355	4280	6200	3800	600	200	250	300	100	50	50
VXS 4230I	37.0	3355	4280	6200	3800	600	200	250	300	100	50	50
VXS 4230J	45.0	3355	4280	6200	3800	600	200	250	300	100	50	50
VXS 4240C	7.5	3355	4280	6200	4800	600	200	250	300	100	50	50
VXS 4240D	11.0	3355	4280	6200	4800	600	200	250	300	100	50	50
VXS 4240E	15.0	3355	4280	6200	4800	600	200	250	300	100	50	50
VXS 4240F	18.5	3355	4280	6200	4800	600	200	250	300	100	50	50
VXS 4240G	22.0	3355	4280	6200	4800	600	200	250	300	100	50	50
VXS 4240H	30.0	3355	4280	6200	4800	600	200	250	300	100	50	50
VXS 4240I	37.0	3355	4280	6200	4800	600	200	250	300	100	50	50
VXS 4240J	45.0	3355	4280	6200	4800	600	200	250	300	100	50	50

## VX-S SERIES RANGE



Tower Model	Motor kW	Fan Diameter mm	Overall Dimension (mm)				Piping Dimension (mm)					
							External Piping	Internal Piping	Water Outlet	Overflow	Drain	Make Up Auto & Manual
			L	W	H	h						
VXS 4630C	7.5	3660	4680	6500	3800	600	200	250	300	100	50	50
VXS 4630D	11.0	3660	4680	6500	3800	600	200	250	300	100	50	50
VXS 4630E	15.0	3660	4680	6500	3800	600	200	250	300	100	50	50
VXS 4630F	18.5	3660	4680	6500	3800	600	200	250	300	100	50	50
VXS 4630G	22.0	3660	4680	6500	3800	600	200	250	300	100	50	50
VXS 4630H	30.0	3660	4680	6500	3800	600	200	250	300	100	50	50
VXS 4630I	37.0	3660	4680	6500	3800	600	200	250	300	100	50	50
VXS 4630J	45.0	3660	4680	6500	3800	600	200	250	300	100	50	50
VXS 4630K	55.0	3660	4680	6500	3800	600	200	250	300	100	50	50
VXS 4640C	7.5	3660	4680	6500	4800	600	200	250	300	100	50	50
VXS 4640D	11.0	3660	4680	6500	4800	600	200	250	300	100	50	50
VXS 4640E	15.0	3660	4680	6500	4800	600	200	250	300	100	50	50
VXS 4640F	18.5	3660	4680	6500	4800	600	200	250	300	100	50	50
VXS 4640G	22.0	3660	4680	6500	4800	600	200	250	300	100	50	50
VXS 4640H	30.0	3660	4680	6500	4800	600	200	250	300	100	50	50
VXS 4640I	37.0	3660	4680	6500	4800	600	200	250	300	100	50	50
VXS 4640J	45.0	3660	4680	6500	4800	600	200	250	300	100	50	50
VXS 4640K	55.0	3660	4680	6500	4800	600	200	250	300	100	50	50