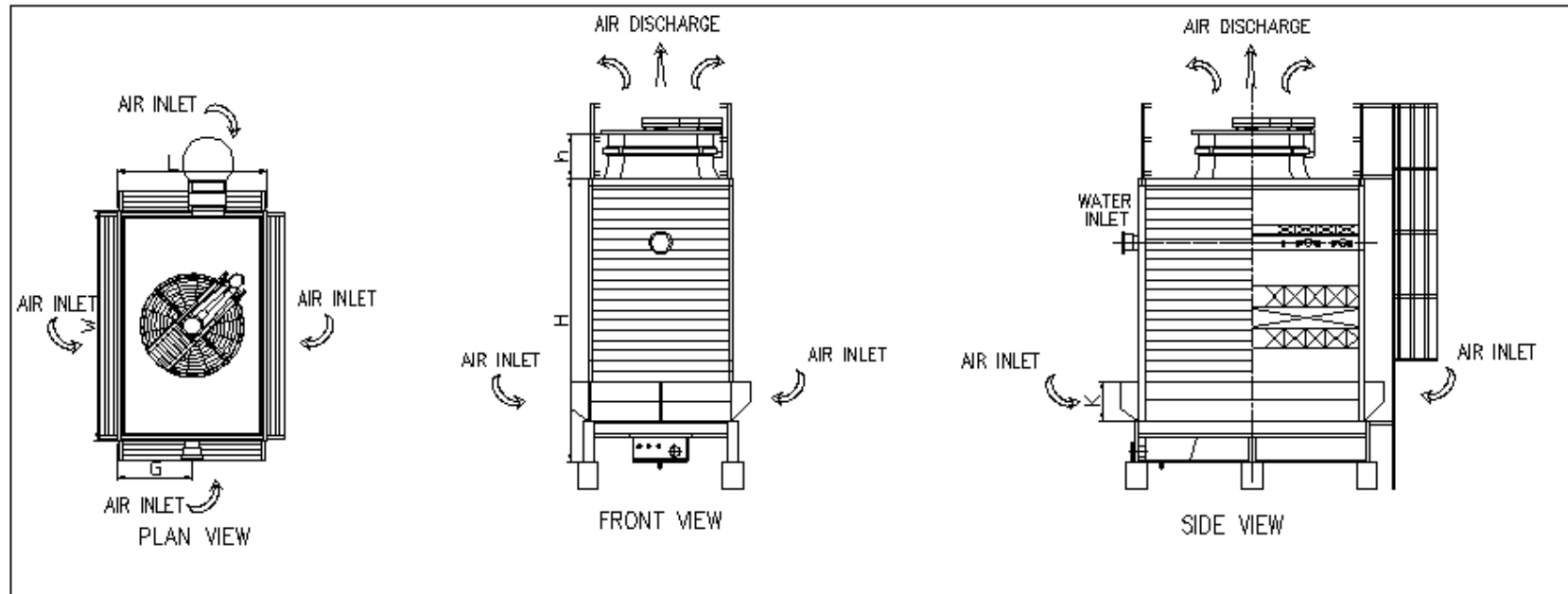
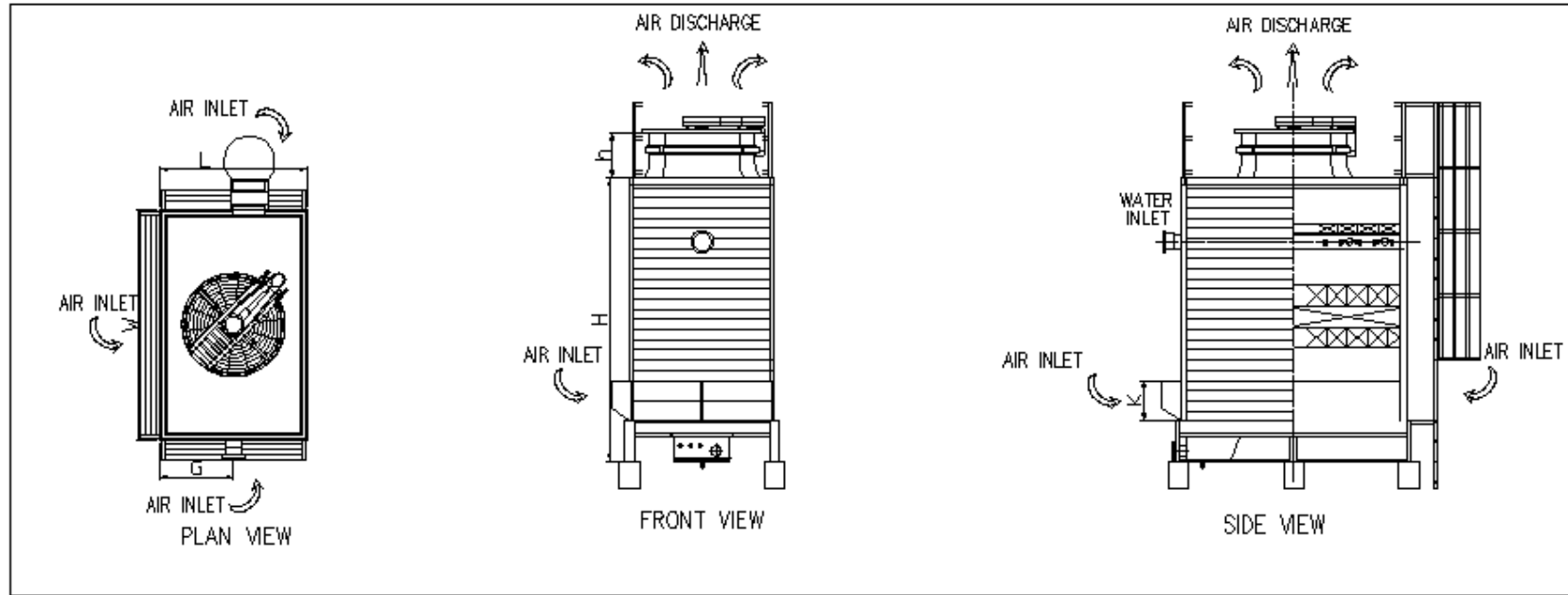


EC-S SERIES RANGE



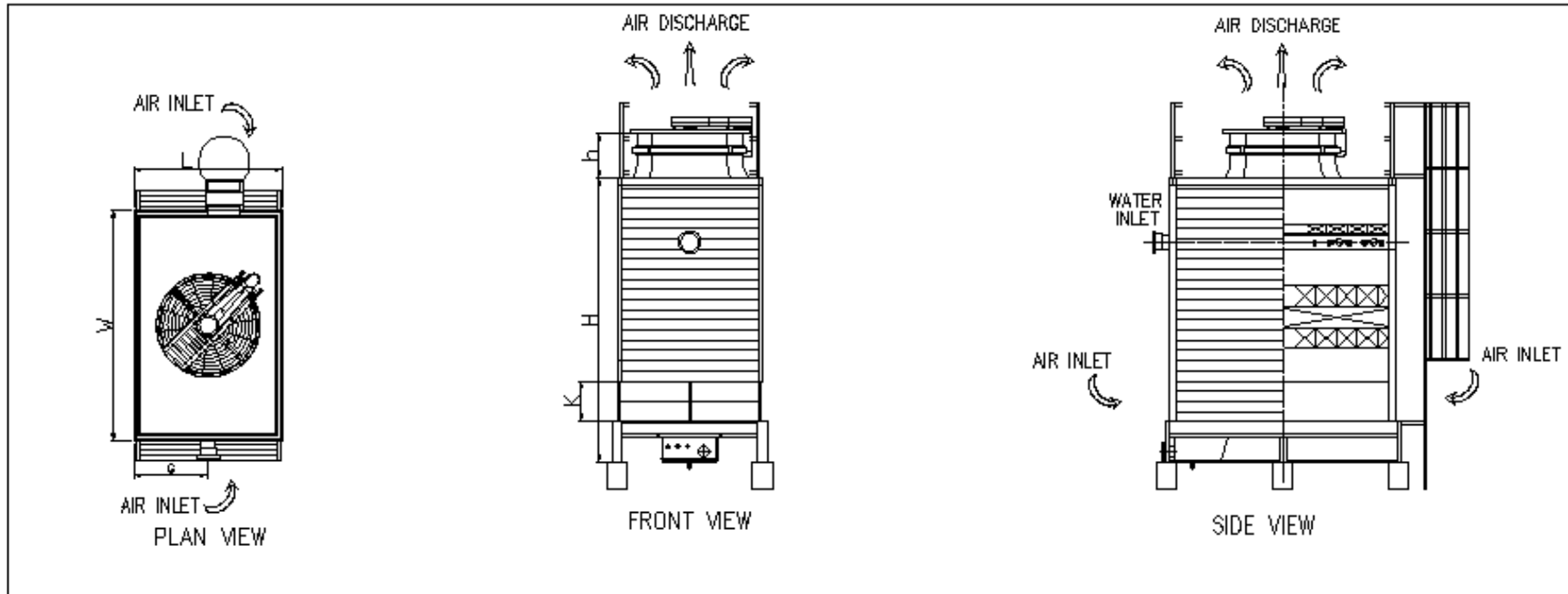
Tower Model	Motor kW	Fan Diameter mm	Overall Dimension (mm)					Piping Dimension (mm)				
								Water Inlet	Water Outlet	Overflow	Drain	Make Up Auto & Manual
			L	W	H	h	K					
ECS0711A4	4.0	1525	2195	3410	3300	650	600	150	150	50	50	40
ECS0711B4	5.5	1525	2195	3410	3300	650	600	150	150	50	50	40
ECS0711C4	7.5	1525	2195	3410	3300	650	600	150	150	50	50	40
ECS0711D4	11.0	1525	2195	3410	3300	650	600	200	200	50	50	40
ECS0811A4	4.0	1830	2500	3410	3600	650	900	150	150	50	50	40
ECS0811B4	5.5	1830	2500	3410	3600	650	900	200	200	50	50	40
ECS0811C4	7.5	1830	2500	3410	3600	650	900	200	200	50	50	40
ECS0811D4	11.0	1830	2500	3410	3600	650	900	200	200	50	50	40
ECS0911A4	4.0	2135	2805	3410	3600	650	900	200	200	50	50	40
ECS0911B4	5.5	2135	2805	3410	3600	650	900	200	200	50	50	40
ECS0911C4	7.5	2135	2805	3410	3600	650	900	200	200	50	50	40
ECS0911D4	11.0	2135	2805	3410	3600	650	900	200	200	50	50	40
ECS1012B4	5.5	2440	3110	3720	4200	650	900	200	200	100	80	40
ECS1012C4	7.5	2440	3110	3720	4200	650	900	200	200	100	80	40
ECS1012D4	11.0	2440	3110	3720	4200	650	900	200	200	100	80	40
ECS1012E4	15.0	2440	3110	3720	4200	650	900	250	250	100	80	40

EC-S SERIES RANGE



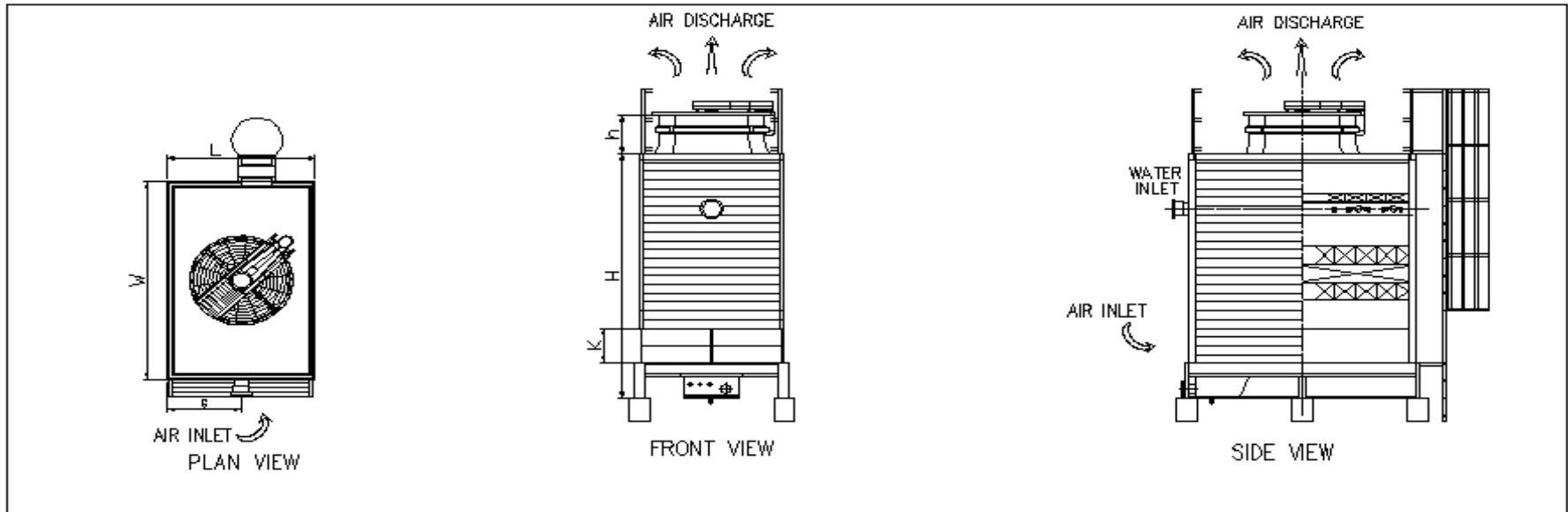
Tower Model	Motor kW	Fan Diameter mm	Overall Dimension (mm)					Piping Dimension (mm)				
								Water Inlet	Water Outlet	Overflow	Drain	Make Up Auto & Manual
ECS0711A3	4.0	1525	2195	3410	3600	650	900	150	150	50	50	40
ECS0711B3	5.5	1525	2195	3410	3600	650	900	150	150	50	50	40
ECS0711C3	7.5	1525	2195	3410	3600	650	900	150	150	50	50	40
ECS0711D3	11.0	1525	2195	3410	3600	650	900	200	200	50	50	40
ECS0811A3	4.0	1830	2500	3410	3900	650	1200	150	150	50	50	40
ECS0811B3	5.5	1830	2500	3410	3900	650	1200	200	200	50	50	40
ECS0811C3	7.5	1830	2500	3410	3900	650	1200	200	200	50	50	40
ECS0811D3	11.0	1830	2500	3410	3900	650	1200	200	200	50	50	40
ECS0911A3	4.0	2135	2805	3410	3900	650	1200	200	200	50	50	40
ECS0911B3	5.5	2135	2805	3410	3900	650	1200	200	200	50	50	40
ECS0911C3	7.5	2135	2805	3410	3900	650	1200	200	200	50	50	40
ECS0911D3	11.0	2135	2805	3410	3900	650	1200	200	200	50	50	40
ECS1012B3	5.5	2440	3080	3720	4500	650	1200	200	200	100	80	40
ECS1012C3	7.5	2440	3080	3720	4500	650	1200	200	200	100	80	40
ECS1012D3	11.0	2440	3080	3720	4500	650	1200	200	200	100	80	40
ECS1012E3	15.0	2440	3080	3720	4500	650	1200	250	250	100	80	40

EC-S SERIES RANGE



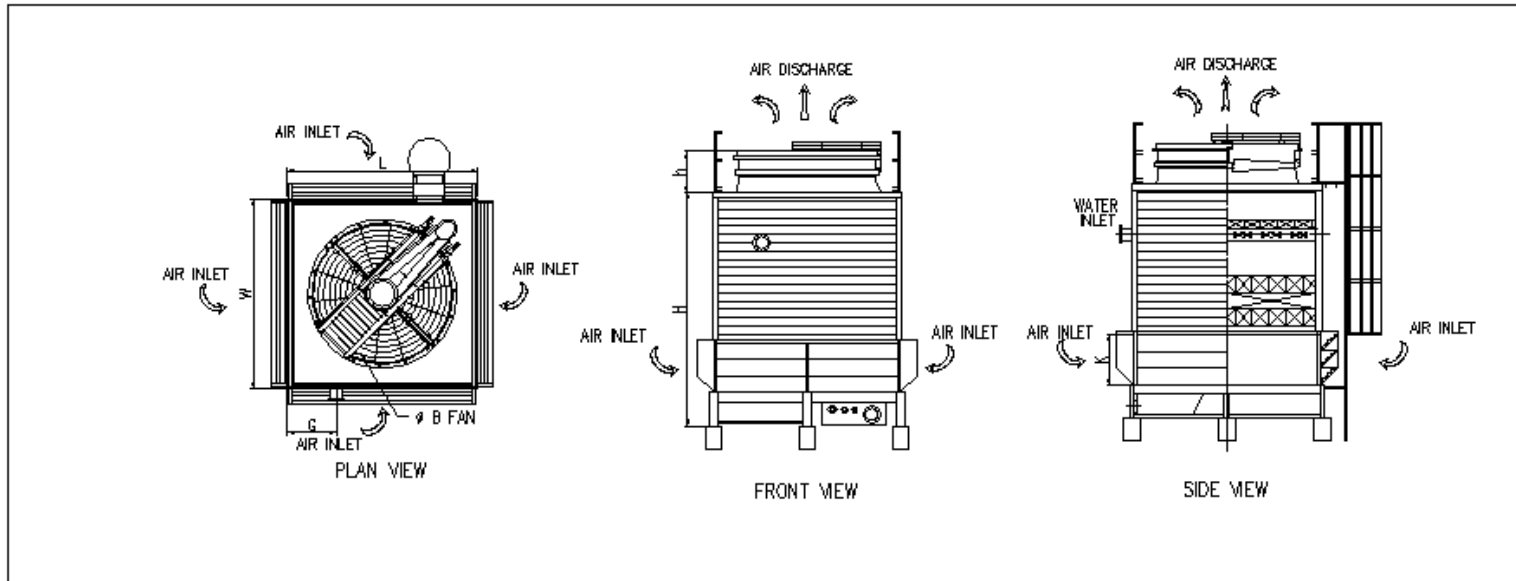
Tower Model	Motor kW	Fan Diameter mm	Overall Dimension (mm)					Piping Dimension (mm)				
								Water Inlet	Water Outlet	Overflow	Drain	Make Up Auto & Manual
			L	W	H	h	K					
ECS0711A2	4.0	1525	2195	3410	3900	650	1200	150	150	50	50	40
ECS0711B2	5.5	1525	2195	3410	3900	650	1200	150	150	50	50	40
ECS0711C2	7.5	1525	2195	3410	3900	650	1200	150	150	50	50	40
ECS0711D2	11.0	1525	2195	3410	3900	650	1200	200	200	50	50	40
ECS0811A2	4.0	1830	2500	3410	4200	650	1500	150	150	50	50	40
ECS0811B2	5.5	1830	2500	3410	4200	650	1500	200	200	50	50	40
ECS0811C2	7.5	1830	2500	3410	4200	650	1500	200	200	50	50	40
ECS0811D2	11.0	1830	2500	3410	4200	650	1500	200	200	50	50	40
ECS0911A2	4.0	2135	2805	3410	4200	650	1500	200	200	50	50	40
ECS0911B2	5.5	2135	2805	3410	4200	650	1500	200	200	50	50	40
ECS0911C2	7.5	2135	2805	3410	4200	650	1500	200	200	50	50	40
ECS0911D2	11.0	2135	2805	3410	4200	650	1500	200	200	50	50	40
ECS1012B2	5.5	2440	3080	3720	4800	650	1500	200	200	100	80	40
ECS1012C2	7.5	2440	3080	3720	4800	650	1500	200	200	100	80	40
ECS1012D2	11.0	2440	3080	3720	4800	650	1500	200	200	100	80	40
ECS1012E2	15.0	2440	3080	3720	4800	650	1500	250	250	100	80	40

EC-S SERIES RANGE



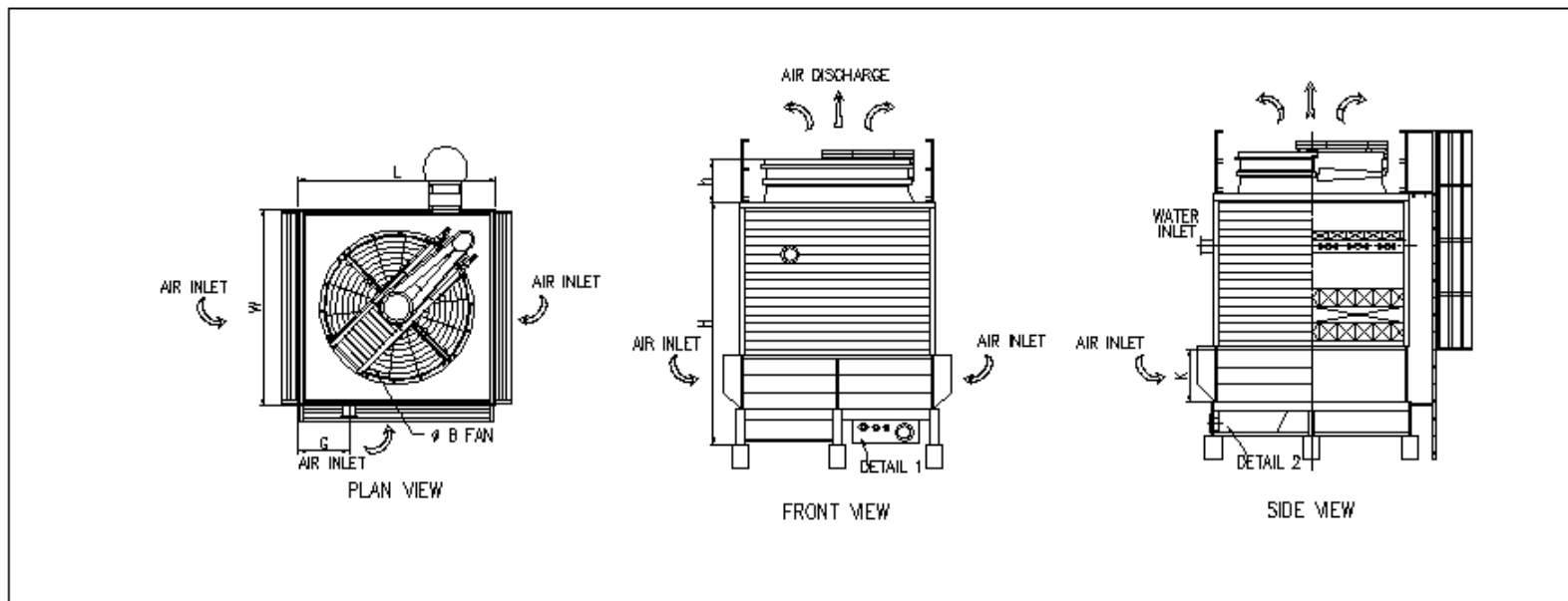
Tower Model	Motor kW	Fan Diameter mm	Overall Dimension (mm)					Piping Dimension (mm)				
								Water Inlet	Water Outlet	Overflow	Drain	Make Up Auto & Manual
ECS0711A1	4.0	1525	2195	3410	4500	650	1800	150	150	50	50	40
ECS0711B1	5.5	1525	2195	3410	4500	650	1800	150	150	50	50	40
ECS0711C1	7.5	1525	2195	3410	4500	650	1800	150	150	50	50	40
ECS0711D1	11.0	1525	2195	3410	4500	650	1800	200	200	50	50	40
ECS0811A1	4.0	1830	2500	3410	4500	650	1800	150	150	50	50	40
ECS0811B1	5.5	1830	2500	3410	4500	650	1800	200	200	50	50	40
ECS0811C1	7.5	1830	2500	3410	4500	650	1800	200	200	50	50	40
ECS0811D1	11.0	1830	2500	3410	4500	650	1800	200	200	50	50	40
ECS0911A1	4.0	2135	2805	3410	4500	650	1800	200	200	50	50	40
ECS0911B1	5.5	2135	2805	3410	4500	650	1800	200	200	50	50	40
ECS0911C1	7.5	2135	2805	3410	4500	650	1800	200	200	50	50	40
ECS0911D1	11.0	2135	2805	3410	4500	650	1800	200	200	50	50	40
ECS1012B1	5.5	2440	3080	3720	5100	650	1800	200	200	100	80	40
ECS1012C1	7.5	2440	3080	3720	5100	650	1800	200	200	100	80	40
ECS1012D1	11.0	2440	3080	3720	5100	650	1800	200	200	100	80	40
ECS1012E1	15.0	2440	3080	3720	5100	650	1800	250	250	100	80	40

EC-S SERIES RANGE



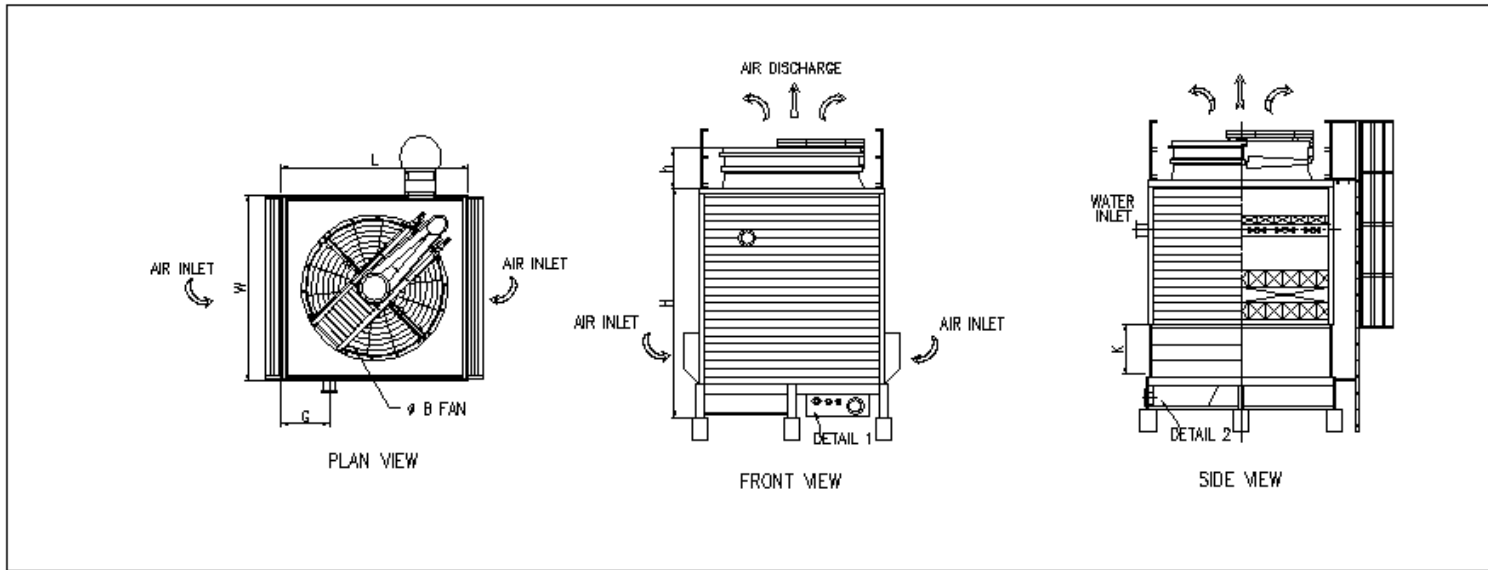
Tower Model	Motor kW	Fan Diameter mm	Overall Dimension (mm)					Piping Dimension (mm)				
								Water Inlet	Water Outlet	Overflow	Drain	Make Up Auto & Manual
			L	W	H	h	K					
ECS1111B4	5.5	2440	3410	3410	4200	650	900	200	200	100	80	50
ECS1111C4	7.5	2440	3410	3410	4200	650	900	200	200	100	80	50
ECS1111D4	11	2440	3410	3410	4200	650	900	200	200	100	80	50
ECS1111E4	15	2440	3410	3410	4200	650	900	250	250	100	80	50
ECS1212C4	7.5	2745	3720	3720	4200	650	900	200	200	100	80	50
ECS1212D4	11	2745	3720	3720	4200	650	900	250	250	100	80	50
ECS1212E4	15	2745	3720	3720	4200	650	900	250	250	100	80	50
ECS1212F4	18.5	2745	3720	3720	4200	650	900	250	250	100	80	50
ECS1313C4	7.5	2745	4020	4020	4500	650	900	250	250	100	80	50
ECS1313D4	11	2745	4020	4020	4500	650	900	250	250	100	80	50
ECS1313E4	15	2745	4020	4020	4500	650	900	250	250	100	80	50
ECS1313F4	18.5	2745	4020	4020	4500	650	900	250	250	100	80	50
ECS1414B4	5.5	3050	4330	4330	4500	650	900	250	250	100	80	50
ECS1414C4	7.5	3050	4330	4330	4500	650	900	250	250	100	80	50
ECS1414D4	11	3050	4330	4330	4500	650	900	250	250	100	80	50
ECS1414E4	15	3050	4330	4330	4500	650	900	250	250	100	80	50
ECS1414F4	18.5	3050	4330	4330	4500	650	900	250	250	100	80	50

EC-S SERIES RANGE



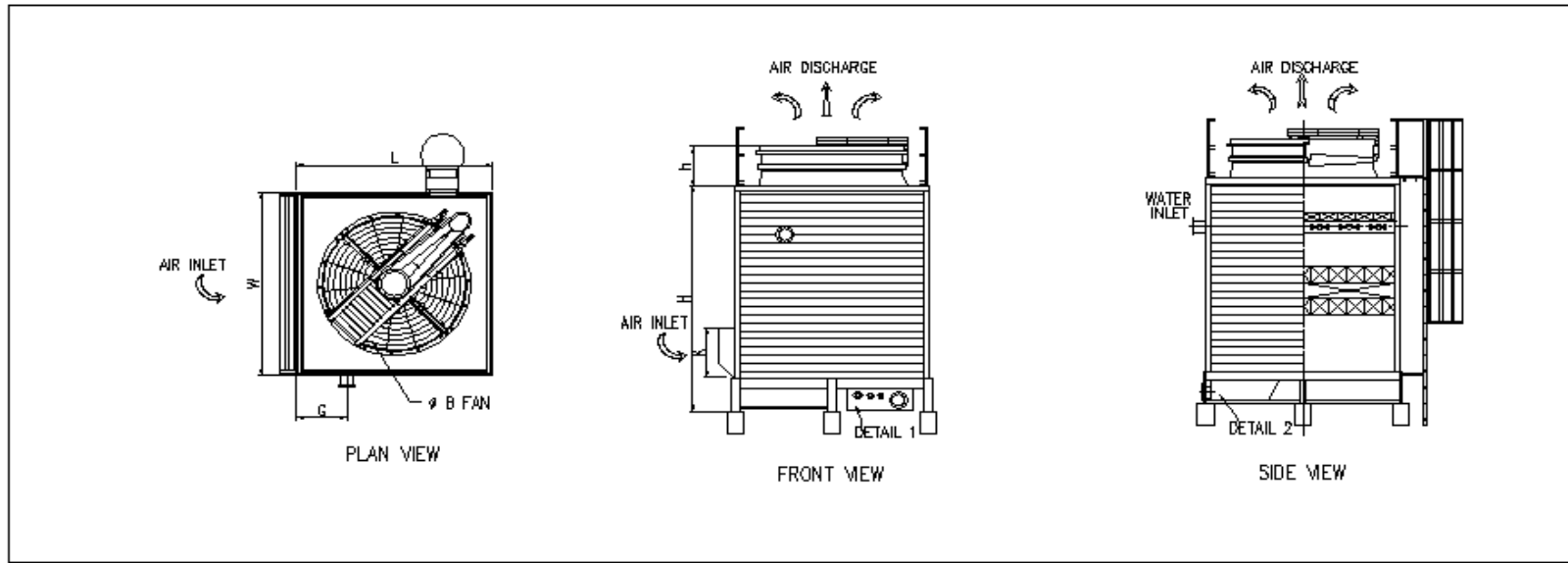
Tower Model	Motor kW	Fan Diameter mm	Overall Dimension (mm)					Piping Dimension (mm)				
								Water Inlet	Water Outlet	Overflow	Drain	Make Up Auto & Manual
ECS1111B3	5.5	2440	3410	3410	4200	650	900	200	200	100	80	50
ECS1111C3	7.5	2440	3410	3410	4200	650	900	200	200	100	80	50
ECS1111D3	11	2440	3410	3410	4200	650	900	200	200	100	80	50
ECS1111E3	15	2440	3410	3410	4200	650	900	250	250	100	80	50
ECS1212C3	7.5	2745	3720	3720	4200	650	900	200	200	100	80	50
ECS1212D3	11	2745	3720	3720	4200	650	900	250	250	100	80	50
ECS1212E3	15	2745	3720	3720	4200	650	900	250	250	100	80	50
ECS1212F3	18.5	2745	3720	3720	4200	650	900	250	250	100	80	50
ECS1313C3	7.5	2745	4020	4020	4500	650	900	250	250	100	80	50
ECS1313D3	11	2745	4020	4020	4500	650	900	250	250	100	80	50
ECS1313E3	15	2745	4020	4020	4500	650	900	250	250	100	80	50
ECS1313F3	18.5	2745	4020	4020	4500	650	900	250	250	100	80	50
ECS1414B3	5.5	3050	4330	4330	4500	650	900	250	250	100	80	50
ECS1414C3	7.5	3050	4330	4330	4500	650	900	250	250	100	80	50
ECS1414D3	11	3050	4330	4330	4500	650	900	250	250	100	80	50
ECS1414E3	15	3050	4330	4330	4500	650	900	250	250	100	80	50
ECS1414F3	18.5	3050	4330	4330	4500	650	900	250	250	100	80	50

EC-S SERIES RANGE



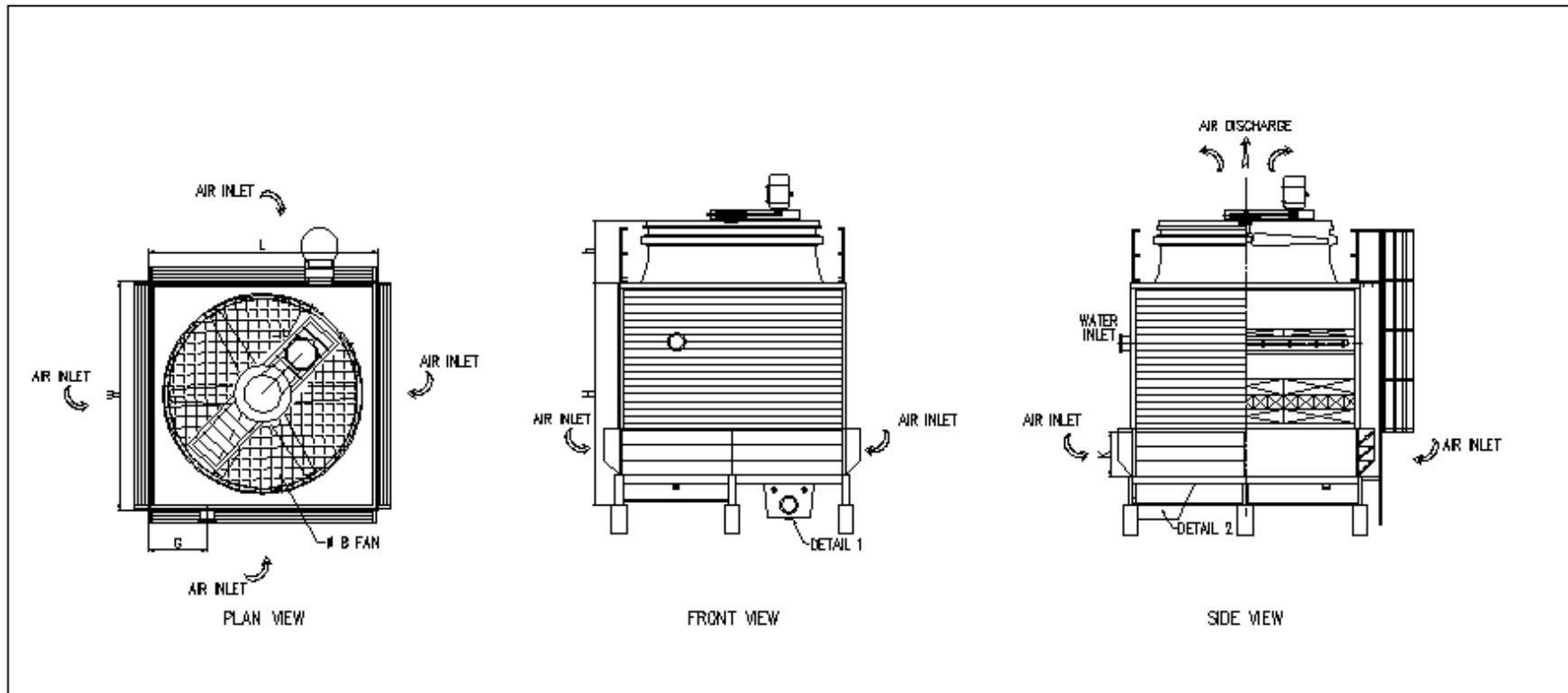
Tower Model	Motor kW	Fan Diameter mm	Overall Dimension (mm)					Piping Dimension (mm)				
								Water Inlet	Water Outlet	Overflow	Drain	Make Up Auto & Manual
			L	W	H	h	K					
ECS1111B2	5.5	2440	3410	3410	4800	650	1500	200	200	100	80	50
ECS1111C2	7.5	2440	3410	3410	4800	650	1500	200	200	100	80	50
ECS1111D2	11	2440	3410	3410	4800	650	1500	200	200	100	80	50
ECS1111E2	15	2440	3410	3410	4800	650	1500	250	250	100	80	50
ECS1212C2	7.5	2745	3720	3720	4800	650	1500	200	200	100	80	50
ECS1212D2	11	2745	3720	3720	4800	650	1500	250	250	100	80	50
ECS1212E2	15	2745	3720	3720	4800	650	1500	250	250	100	80	50
ECS1212F2	18.5	2745	3720	3720	4800	650	1500	250	250	100	80	50
ECS1313C2	7.5	2745	4020	4020	5100	650	1500	250	250	100	80	50
ECS1313D2	11	2745	4020	4020	5100	650	1500	250	250	100	80	50
ECS1313E2	15	2745	4020	4020	5100	650	1500	250	250	100	80	50
ECS1313F2	18.5	2745	4020	4020	5100	650	1500	250	250	100	80	50
ECS1414B2	5.5	3050	4330	4330	5100	650	1500	250	250	100	80	50
ECS1414C2	7.5	3050	4330	4330	5100	650	1500	250	250	100	80	50
ECS1414D2	11	3050	4330	4330	5100	650	1500	250	250	100	80	50
ECS1414E2	15	3050	4330	4330	5100	650	1500	250	250	100	80	50
ECS1414F2	18.5	3050	4330	4330	5100	650	1500	250	250	100	80	50

EC-S SERIES RANGE



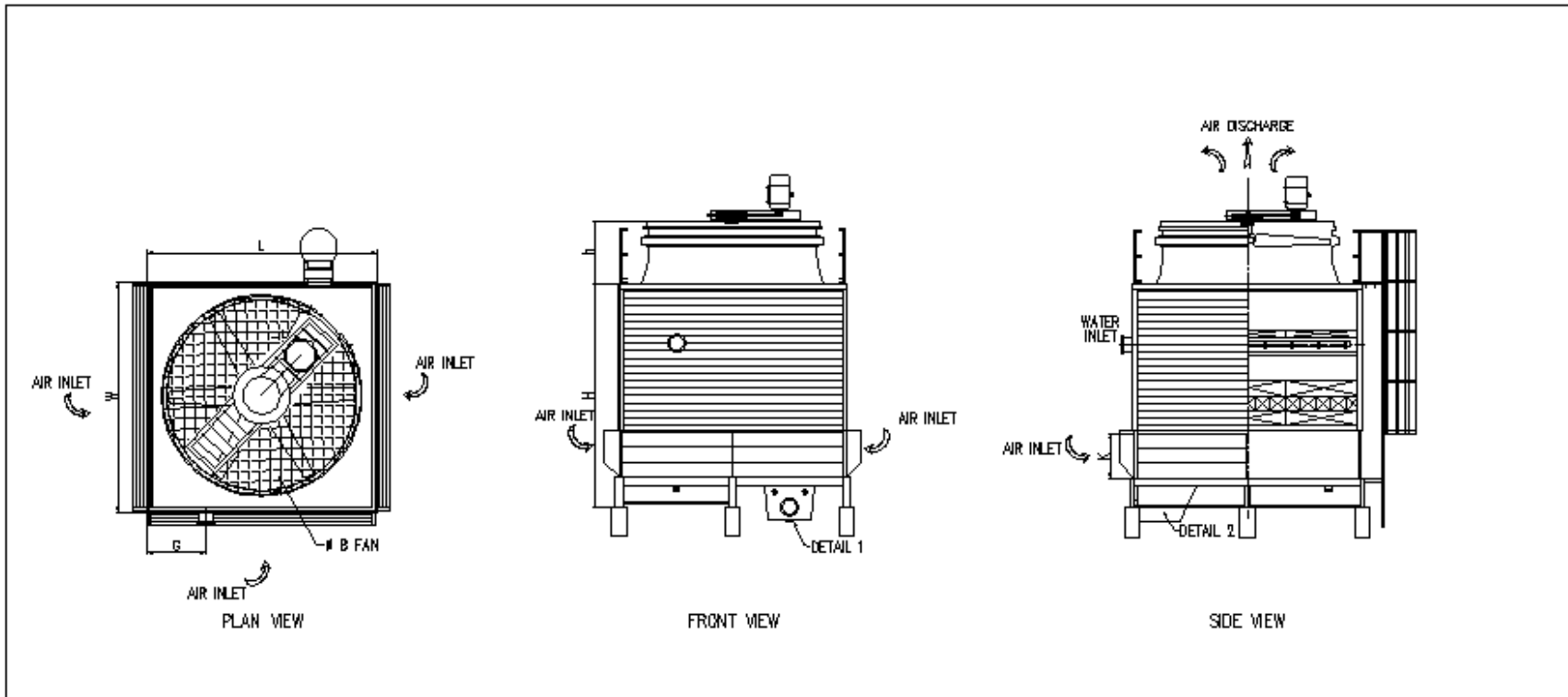
Tower Model	Motor kW	Fan Diameter mm	Overall Dimension (mm)					Piping Dimension (mm)				
								Water Inlet	Water Outlet	Overflow	Drain	Make Up Auto & Manual
			L	W	H	h	K					
ECS1111B1	5.5	2440	3410	3410	5400	650	2100	200	200	100	80	50
ECS1111C1	7.5	2440	3410	3410	5400	650	2100	200	200	100	80	50
ECS1111D1	11	2440	3410	3410	5400	650	2100	200	200	100	80	50
ECS1111E1	15	2440	3410	3410	5400	650	2100	250	250	100	80	50
ECS1212C1	7.5	2745	3720	3720	5400	650	2100	200	200	100	80	50
ECS1212D1	11	2745	3720	3720	5400	650	2100	250	250	100	80	50
ECS1212E1	15	2745	3720	3720	5400	650	2100	250	250	100	80	50
ECS1212F1	18.5	2745	3720	3720	5400	650	2100	250	250	100	80	50
ECS1313C1	7.5	2745	4020	4020	5700	650	2100	250	250	100	80	50
ECS1313D1	11	2745	4020	4020	5700	650	2100	250	250	100	80	50
ECS1313E1	15	2745	4020	4020	5700	650	2100	250	250	100	80	50
ECS1313F1	18.5	2745	4020	4020	5700	650	2100	250	250	100	80	50
ECS1414B1	5.5	3050	4330	4330	5700	650	2100	250	250	100	80	50
ECS1414C1	7.5	3050	4330	4330	5700	650	2100	250	250	100	80	50
ECS1414D1	11	3050	4330	4330	5700	650	2100	250	250	100	80	50
ECS1414E1	15	3050	4330	4330	5700	650	2100	250	250	100	80	50
ECS1414F1	18.5	3050	4330	4330	5700	650	2100	250	250	100	80	50

EC-S SERIES RANGE



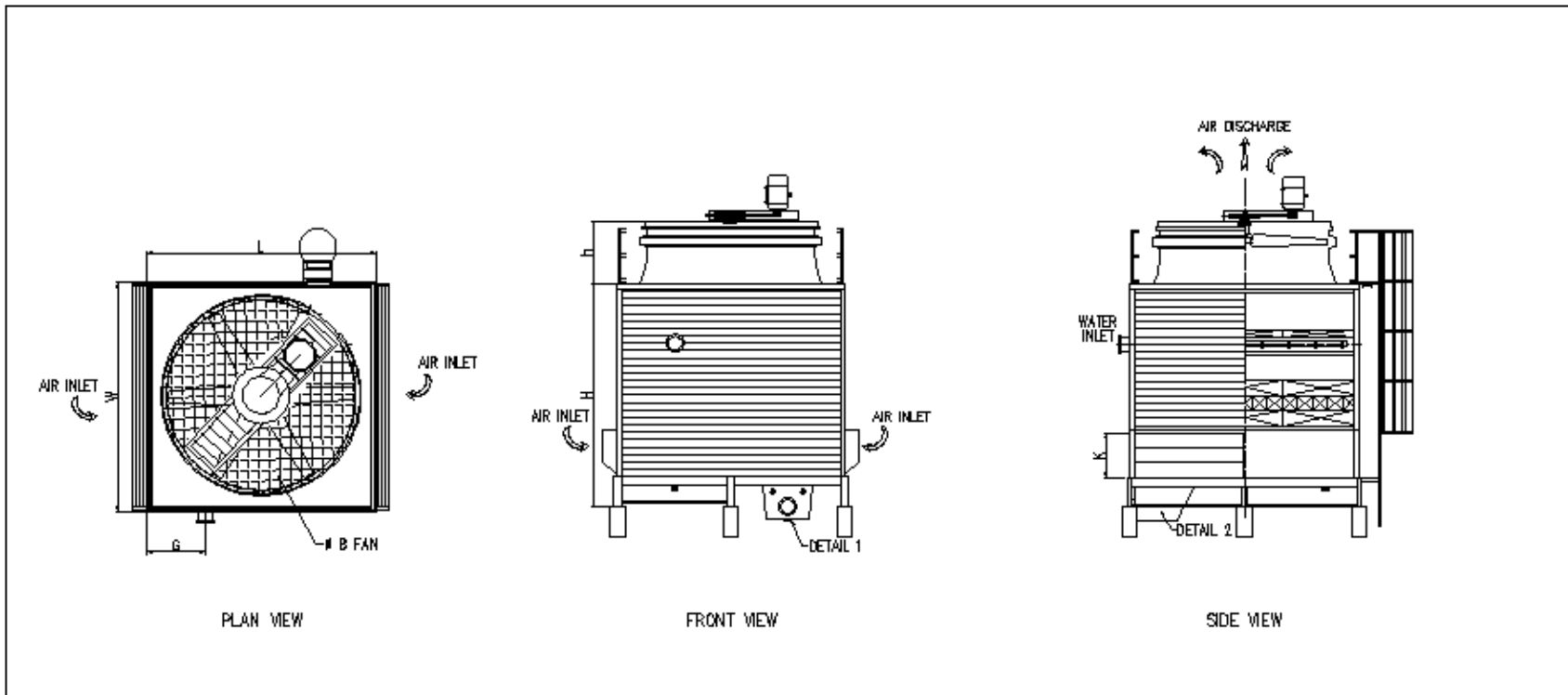
Tower Model	Motor kW	Fan Diameter mm	Overall Dimension (mm)					Piping Dimension (mm)				
								Water Inlet	Water Outlet	Overflow	Drain	Make Up Auto & Manual
			L	W	H	h	K					
ECS1515D4	11	3355	4630	4630	4800	650	1200	250	250	100	80	50
ECS1515E4	15	3355	4630	4630	4800	650	1200	250	250	100	80	50
ECS1515F4	18.5	3355	4630	4630	4800	650	1200	250	250	100	80	50
ECS1515G4	22	3355	4630	4630	4800	650	1200	250	250	100	80	50

EC-S SERIES RANGE



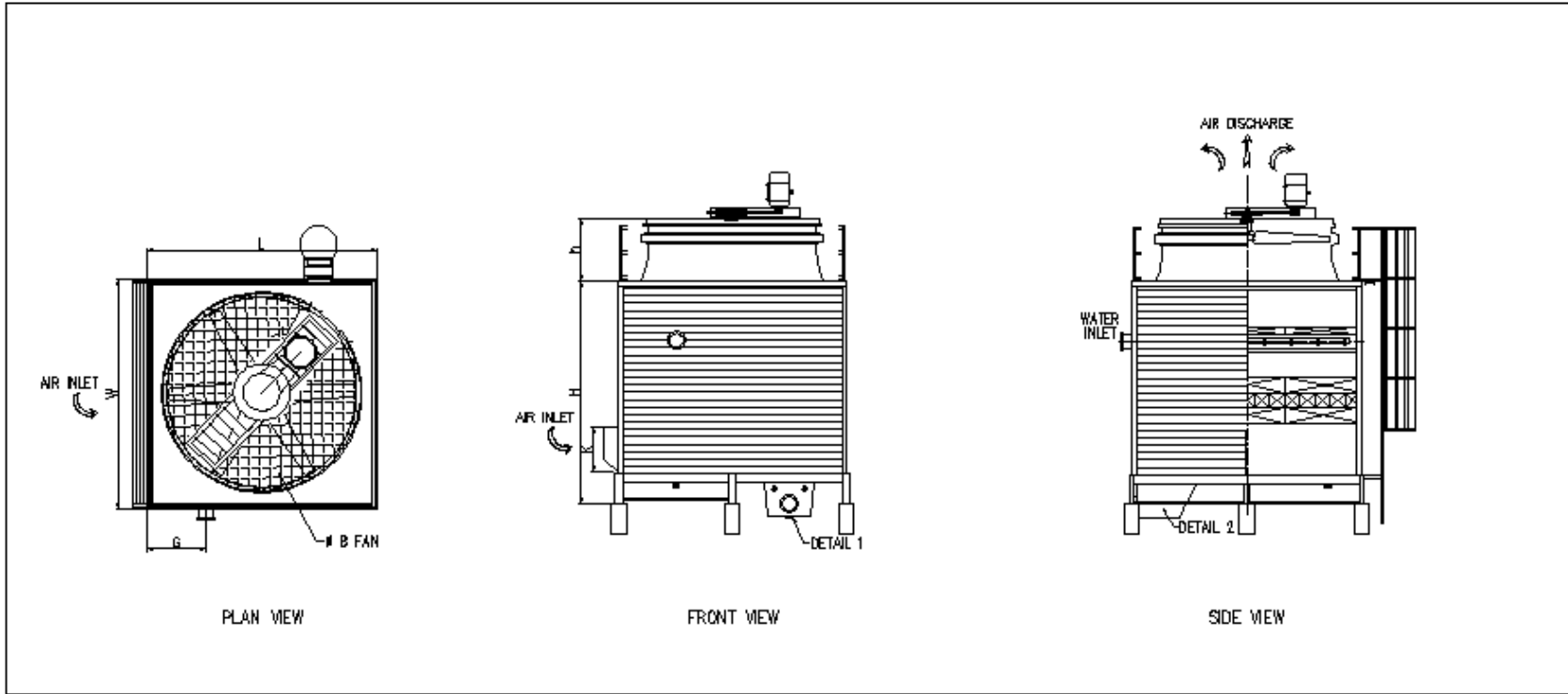
Tower Model	Motor kW	Fan Diameter mm	Overall Dimension (mm)					Piping Dimension (mm)				
								Water Inlet	Water Outlet	Overflow	Drain	Make Up Auto & Manual
ECS1515D3	11	3355	4630	4630	4800	650	1200	250	250	100	80	50
ECS1515E3	15	3355	4630	4630	4800	650	1200	250	250	100	80	50
ECS1515F3	18.5	3355	4630	4630	4800	650	1200	250	250	100	80	50
ECS1515G3	22	3355	4630	4630	4800	650	1200	250	250	100	80	50

EC-S SERIES RANGE



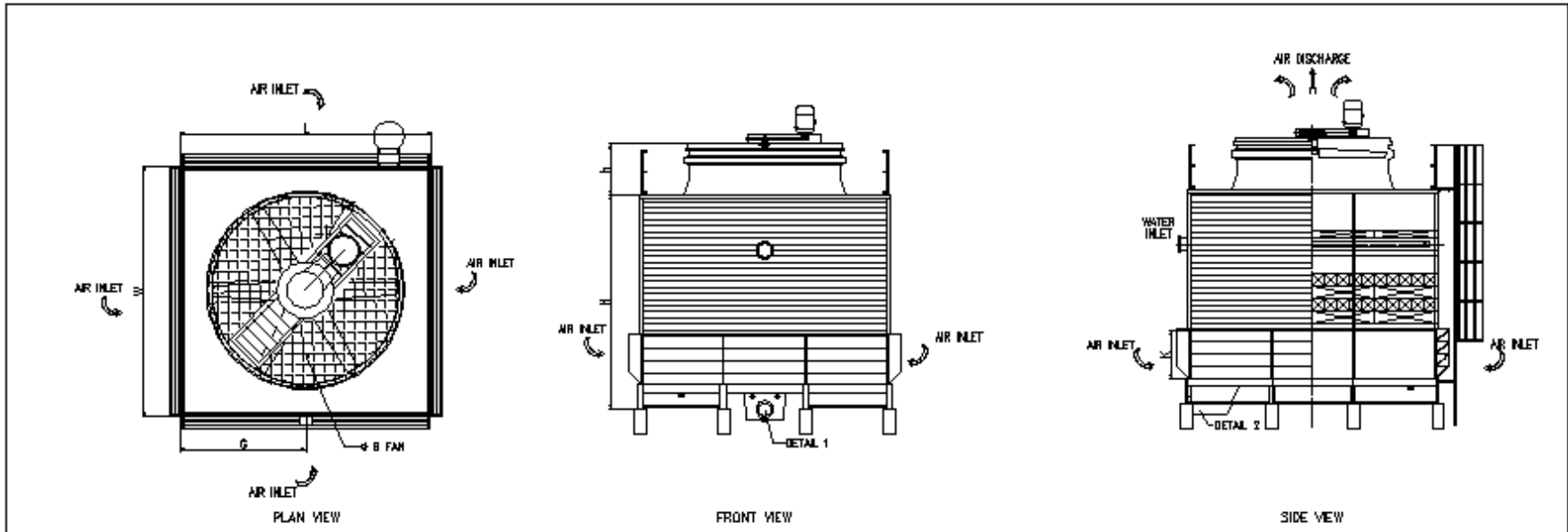
Tower Model	Motor kW	Fan Diameter mm	Overall Dimension (mm)					Piping Dimension (mm)				
								Water Inlet	Water Outlet	Overflow	Drain	Make Up Auto & Manual
			L	W	H	h	K					
ECS1515D2	11	3355	4630	4630	5400	650	1800	250	250	100	80	50
ECS1515E2	15	3355	4630	4630	5400	650	1800	250	250	100	80	50
ECS1515F2	18.5	3355	4630	4630	5400	650	1800	250	250	100	80	50
ECS1515G2	22	3355	4630	4630	5400	650	1800	250	250	100	80	50

EC-S SERIES RANGE



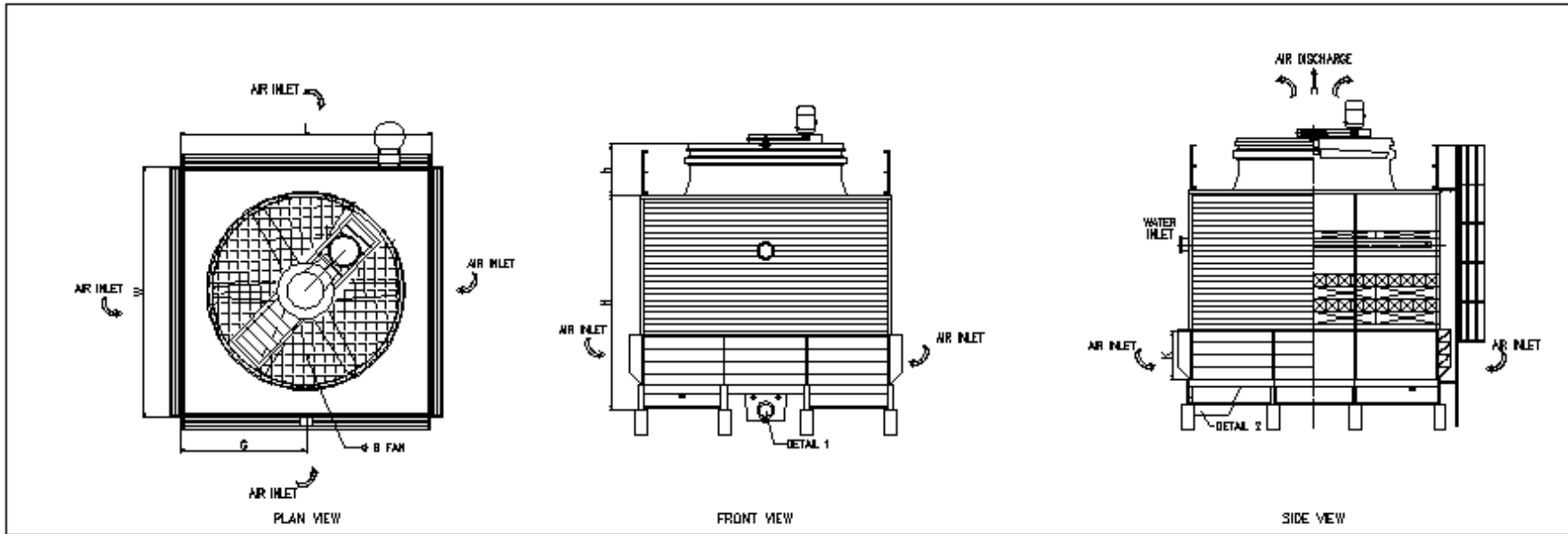
Tower Model	Motor kW	Fan Diameter mm	Overall Dimension (mm)					Piping Dimension (mm)				
								Water Inlet	Water Outlet	Overflow	Drain	Make Up Auto & Manual
			L	W	H	h	K					
ECS1515D1	11	3355	4630	4630	5700	650	2100	250	250	100	80	50
ECS1515E1	15	3355	4630	4630	5700	650	2100	250	250	100	80	50
ECS1515F1	18.5	3355	4630	4630	5700	650	2100	250	250	100	80	50
ECS1515G1	22	3355	4630	4630	5700	650	2100	250	250	100	80	50

EC-S SERIES RANGE



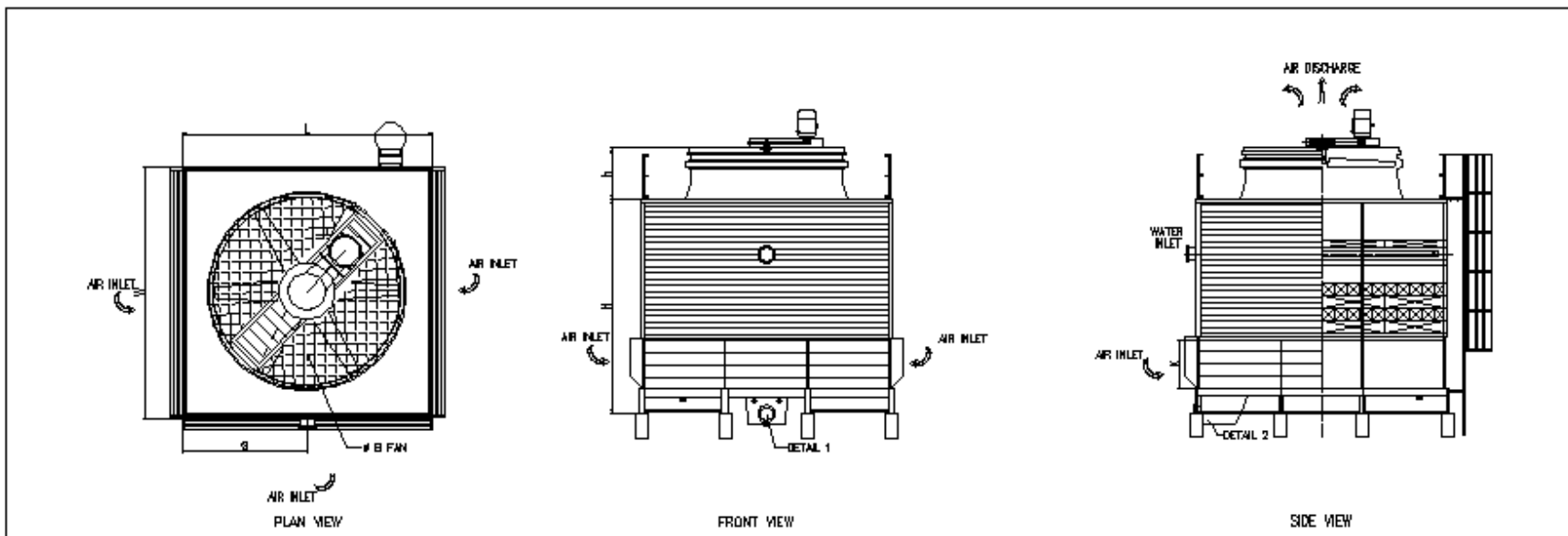
Tower Model	Motor kW	Fan Diameter mm	Overall Dimension (mm)					Piping Dimension (mm)				
								Water Inlet	Water Outlet	Overflow	Drain	Make Up Auto & Manual
			L	W	H	h	K					
ECS1616D4	11.0	3660	4940	4940	4800	650	1200	250	250	100	80	50
ECS1616E4	15.0	3660	4940	4940	4800	650	1200	250	250	100	80	50
ECS1616G4	22.0	3660	4940	4940	4800	650	1200	250	250	100	80	50
ECS1616H4	30.0	3660	4940	4940	4800	650	1200	300	300	100	80	50
ECS1717E4	15.0	3660	5240	5240	4800	650	1200	250	250	100	80	50
ECS1717F4	18.5	3660	5240	5240	4800	650	1200	300	300	100	80	50
ECS1717G4	22.0	3660	5240	5240	4800	650	1200	300	300	100	80	50
ECS1717H4	30.0	3660	5240	5240	4800	650	1200	300	300	100	80	50
ECS1717I4	37.0	3660	5240	5240	4800	650	1200	300	300	100	80	50
ECS1818E4	15.0	3660	5550	5550	5250	650	1200	300	300	100	80	50
ECS1818F4	18.5	3660	5550	5550	5250	650	1200	300	300	100	80	50
ECS1818G4	22.0	3660	5550	5550	5250	650	1200	300	300	100	80	50
ECS1818H4	30.0	3660	5550	5550	5250	650	1200	300	300	100	80	50
ECS1818I4	37.0	3660	5550	5550	5250	650	1200	300	300	100	80	50

EC-S SERIES RANGE



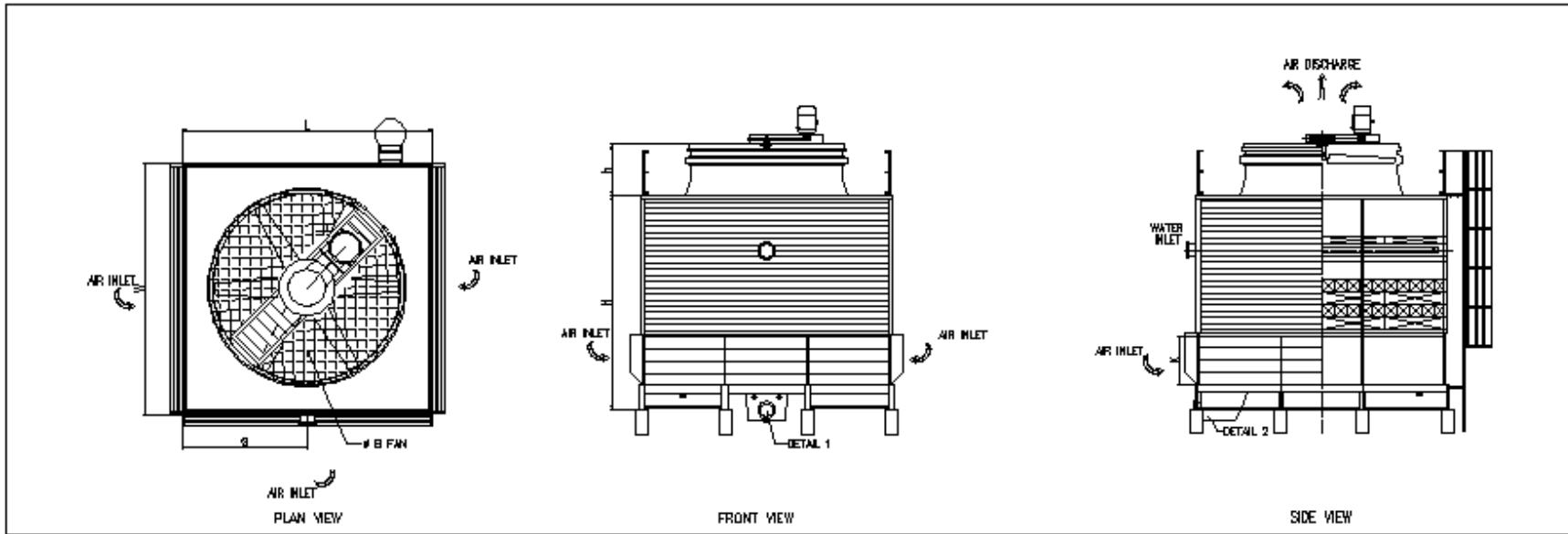
Tower Model	Motor kW	Fan Diameter mm	Overall Dimension (mm)					Piping Dimension (mm)				
								Water Inlet	Water Outlet	Overflow	Drain	Make Up Auto & Manual
ECS2020F4	18.5	3660	6160	6160	5250	650	1200	300	300	100	80	50
ECS2020G4	22.0	3660	6160	6160	5250	650	1200	300	300	100	80	50
ECS2020H4	30.0	3660	6160	6160	5250	650	1200	300	300	100	80	50
ECS2020I4	37.0	3660	6160	6160	5250	650	1200	300	300	100	80	50
ECS2020J4	45.0	3660	6160	6160	5250	650	1200	300	300	100	80	50
ECS 2222G4	22.0	4270	6770	6770	5250	650	1200	300	300	100	80	50
ECS 2222H4	30.0	4270	6770	6770	5250	650	1200	300	300	100	80	50
ECS 2222I4	37.0	4270	6770	6770	5250	650	1200	300	300	100	80	50
ECS 2222J4	45.0	4270	6770	6770	5250	650	1200	350	350	100	80	50
ECS 2222K4	55.0	4270	6770	6770	5250	650	1200	350	350	100	80	50
ECS 2424G4	22.0	4270	7380	7380	5250	650	1200	300	300	100	80	50
ECS 2424H4	30.0	4270	7380	7380	5250	650	1200	350	350	100	80	50
ECS 2424I4	37.0	4270	7380	7380	5250	650	1200	350	350	100	80	50
ECS 2424J4	45.0	4270	7380	7380	5250	650	1200	350	350	100	80	50
ECS 2424K4	55.0	4270	7380	7380	5250	650	1200	350	350	100	80	50

EC-S SERIES RANGE



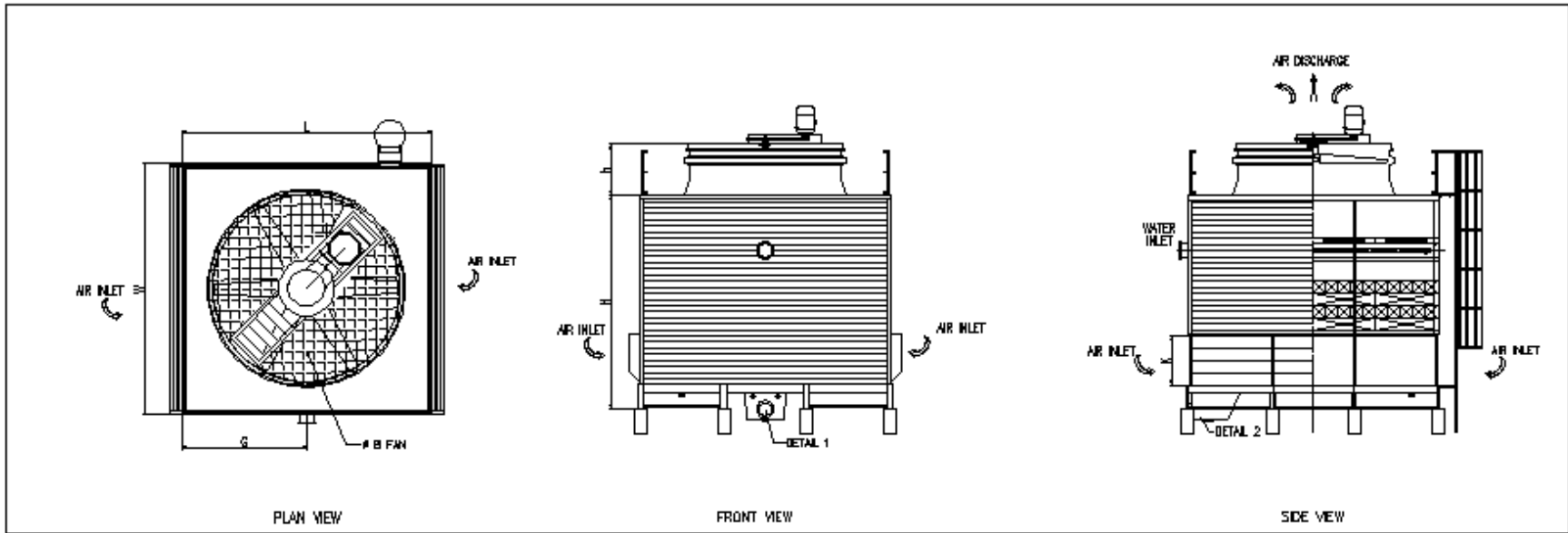
Tower Model	Motor kW	Fan Diameter mm	Overall Dimension (mm)					Piping Dimension (mm)				
								Water Inlet	Water Outlet	Overflow	Drain	Make Up Auto & Manual
ECS1616D3	11.0	3660	4940	4940	4800	650	1200	250	250	100	80	50
ECS1616E3	15.0	3660	4940	4940	4800	650	1200	250	250	100	80	50
ECS1616G3	22.0	3660	4940	4940	4800	650	1200	250	250	100	80	50
ECS1616H3	30.0	3660	4940	4940	4800	650	1200	300	300	100	80	50
ECS1717E3	15.0	3660	5240	5240	4800	650	1200	250	250	100	80	50
ECS1717F3	18.5	3660	5240	5240	4800	650	1200	300	300	100	80	50
ECS1717G3	22.0	3660	5240	5240	4800	650	1200	300	300	100	80	50
ECS1717H3	30.0	3660	5240	5240	4800	650	1200	300	300	100	80	50
ECS1717I3	37.0	3660	5240	5240	4800	650	1200	300	300	100	80	50
ECS1818E3	15.0	3660	5550	5550	5250	650	1200	300	300	100	80	50
ECS1818F3	18.5	3660	5550	5550	5250	650	1200	300	300	100	80	50
ECS1818G3	22.0	3660	5550	5550	5250	650	1200	300	300	100	80	50
ECS1818H3	30.0	3660	5550	5550	5250	650	1200	300	300	100	80	50
ECS1818I3	37.0	3660	5550	5550	5250	650	1200	300	300	100	80	50

EC-S SERIES RANGE



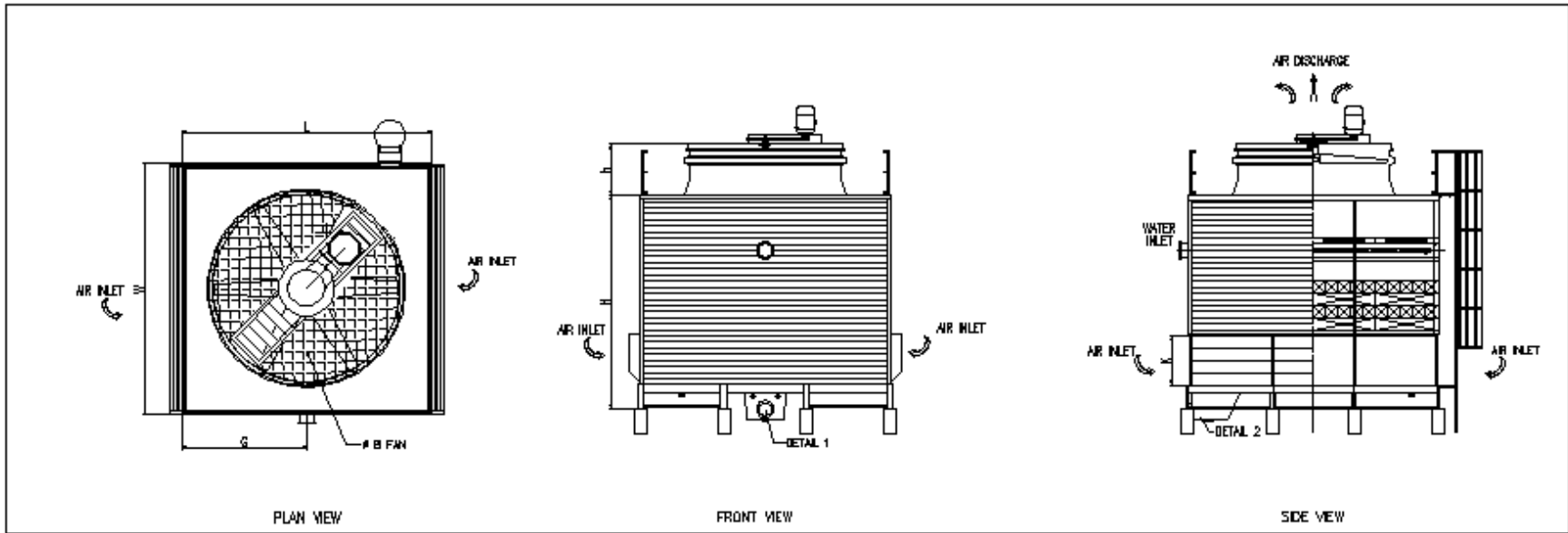
Tower Model	Motor kW	Fan Diameter mm	Overall Dimension (mm)					Piping Dimension (mm)				
								Water Inlet	Water Outlet	Overflow	Drain	Make Up Auto & Manual
ECS2020F3	18.5	3660	6160	6160	5250	650	1200	300	300	100	80	50
ECS2020G3	22.0	3660	6160	6160	5250	650	1200	300	300	100	80	50
ECS2020H3	30.0	3660	6160	6160	5250	650	1200	300	300	100	80	50
ECS2020I3	37.0	3660	6160	6160	5250	650	1200	300	300	100	80	50
ECS2020J3	45.0	3660	6160	6160	5250	650	1200	300	300	100	80	50
ECS 2222G3	22.0	4270	6770	6770	5250	650	1200	300	300	100	80	50
ECS 2222H3	30.0	4270	6770	6770	5250	650	1200	300	300	100	80	50
ECS 2222I3	37.0	4270	6770	6770	5250	650	1200	300	300	100	80	50
ECS 2222J3	45.0	4270	6770	6770	5250	650	1200	350	350	100	80	50
ECS 2222K3	55.0	4270	6770	6770	5250	650	1200	350	350	100	80	50
ECS 2424G3	22.0	4270	7380	7380	5250	650	1200	300	300	100	80	50
ECS 2424H3	30.0	4270	7380	7380	5250	650	1200	350	350	100	80	50
ECS 2424I3	37.0	4270	7380	7380	5250	650	1200	350	350	100	80	50
ECS 2424J3	45.0	4270	7380	7380	5250	650	1200	350	350	100	80	50
ECS 2424K3	55.0	4270	7380	7380	5250	650	1200	350	350	100	80	50

EC-S SERIES RANGE



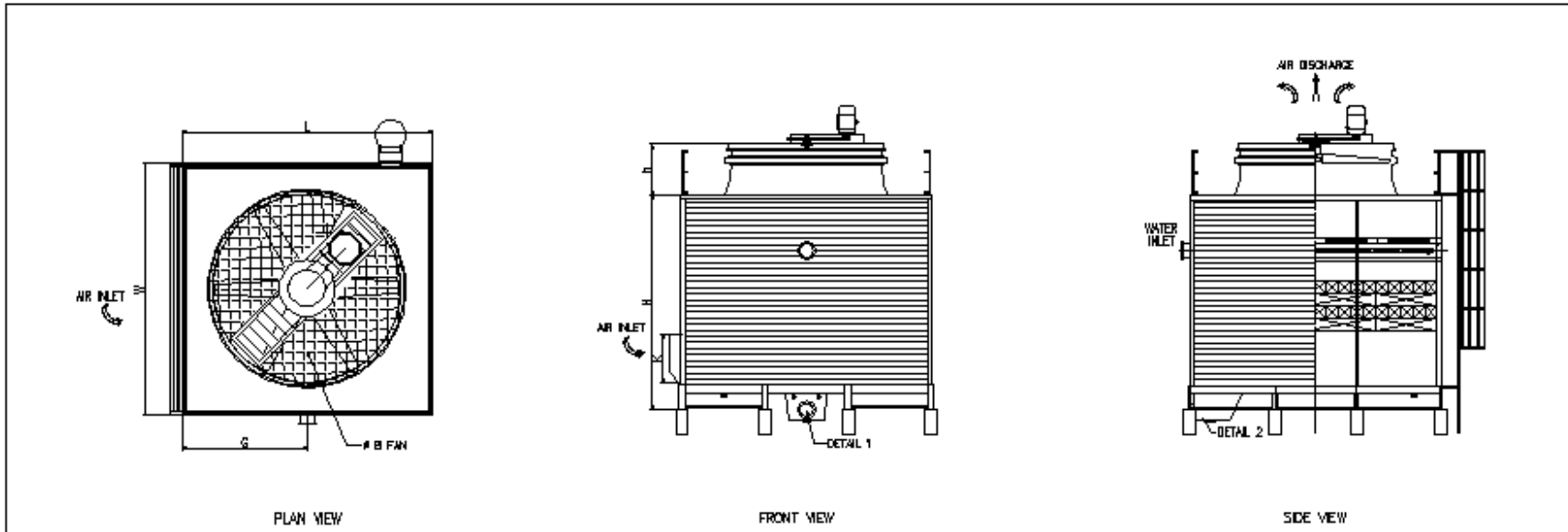
Tower Model	Motor kW	Fan Diameter mm	Overall Dimension (mm)					Piping Dimension (mm)				
								Water Inlet	Water Outlet	Overflow	Drain	Make Up Auto & Manual
			L	W	H	h	K					
ECS1616D2	11.0	3660	4940	4940	5400	650	1800	250	250	100	80	50
ECS1616E2	15.0	3660	4940	4940	5400	650	1800	250	250	100	80	50
ECS1616G2	22.0	3660	4940	4940	5400	650	1800	250	250	100	80	50
ECS1616H2	30.0	3660	4940	4940	5400	650	1800	300	300	100	80	50
ECS1717E2	15.0	3660	5240	5240	5400	650	1800	250	250	100	80	50
ECS1717F2	18.5	3660	5240	5240	5400	650	1800	300	300	100	80	50
ECS1717G2	22.0	3660	5240	5240	5400	650	1800	300	300	100	80	50
ECS1717H2	30.0	3660	5240	5240	5400	650	1800	300	300	100	80	50
ECS1717I2	37.0	3660	5240	5240	5400	650	1800	300	300	100	80	50
ECS1818E2	15.0	3660	5550	5550	5850	650	1800	300	300	100	80	50
ECS1818F2	18.5	3660	5550	5550	5850	650	1800	300	300	100	80	50
ECS1818G2	22.0	3660	5550	5550	5850	650	1800	300	300	100	80	50
ECS1818H2	30.0	3660	5550	5550	5850	650	1800	300	300	100	80	50
ECS1818I2	37.0	3660	5550	5550	5850	650	1800	300	300	100	80	50

EC-S SERIES RANGE



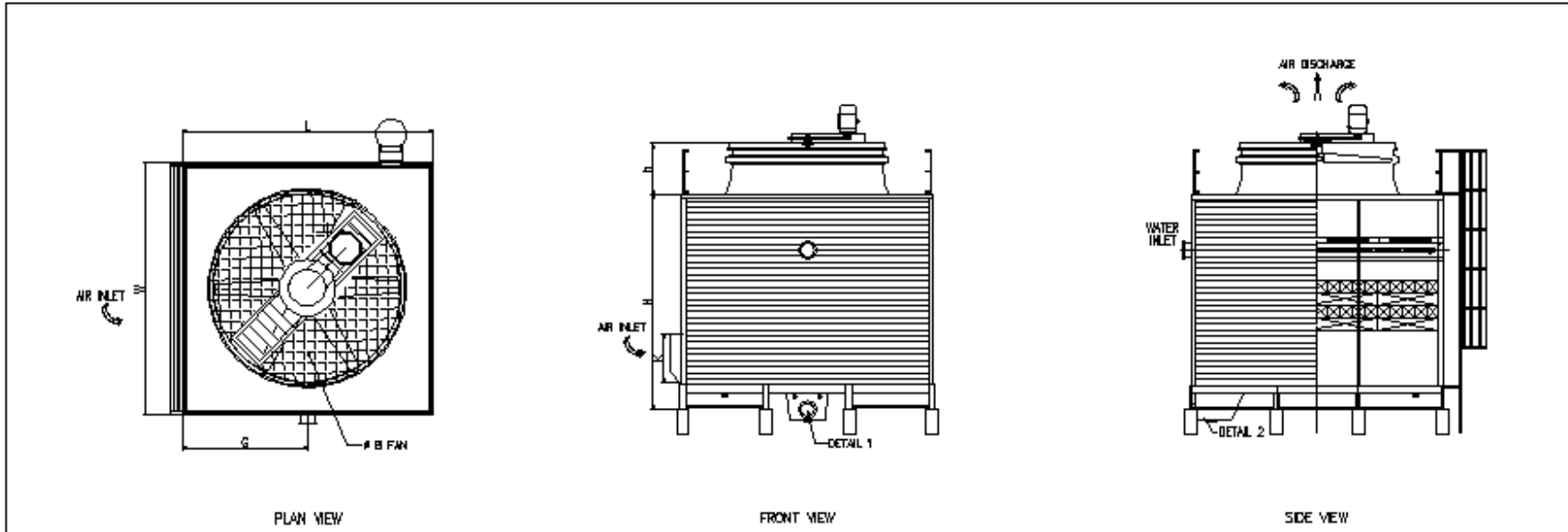
Tower Model	Motor kW	Fan Diameter mm	Overall Dimension (mm)					Piping Dimension (mm)				
								Water Inlet	Water Outlet	Overflow	Drain	Make Up Auto & Manual
			L	W	H	h	K					
ECS2020F2	18.5	3660	6160	6160	5850	650	1800	300	300	100	80	50
ECS2020G2	22.0	3660	6160	6160	5850	650	1800	300	300	100	80	50
ECS2020H2	30.0	3660	6160	6160	5850	650	1800	300	300	100	80	50
ECS2020I2	37.0	3660	6160	6160	5850	650	1800	300	300	100	80	50
ECS2020J2	45.0	3660	6160	6160	5850	650	1800	300	300	100	80	50
ECS 2222G2	22.0	4270	6770	6770	5850	650	1800	300	300	100	80	50
ECS 2222H2	30.0	4270	6770	6770	5850	650	1800	300	300	100	80	50
ECS 2222I2	37.0	4270	6770	6770	5850	650	1800	300	300	100	80	50
ECS 2222J2	45.0	4270	6770	6770	5850	650	1800	350	350	100	80	50
ECS 2222K2	55.0	4270	6770	6770	5850	650	1800	350	350	100	80	50
ECS 2424G2	22.0	4270	7380	7380	5850	650	1800	300	300	100	80	50
ECS 2424H2	30.0	4270	7380	7380	5850	650	1800	350	350	100	80	50
ECS 2424I2	37.0	4270	7380	7380	5850	650	1800	350	350	100	80	50
ECS 2424J2	45.0	4270	7380	7380	5850	650	1800	350	350	100	80	50
ECS 2424K2	55.0	4270	7380	7380	5850	650	1800	350	350	100	80	50

EC-S SERIES RANGE



Tower Model	Motor kW	Fan Diameter mm	Overall Dimension (mm)					Piping Dimension (mm)				
								Water Inlet	Water Outlet	Overflow	Drain	Make Up Auto & Manual
			L	W	H	h	K					
ECS1616D1	11.0	3660	4940	4940	5700	650	2100	250	250	100	80	50
ECS1616E1	15.0	3660	4940	4940	5700	650	2100	250	250	100	80	50
ECS1616G1	22.0	3660	4940	4940	5700	650	2100	250	250	100	80	50
ECS1616H1	30.0	3660	4940	4940	5700	650	2100	300	300	100	80	50
ECS1717E1	15.0	3660	5240	5240	5700	650	2100	250	250	100	80	50
ECS1717F1	18.5	3660	5240	5240	5700	650	2100	300	300	100	80	50
ECS1717G1	22.0	3660	5240	5240	5700	650	2100	300	300	100	80	50
ECS1717H1	30.0	3660	5240	5240	5700	650	2100	300	300	100	80	50
ECS1717I1	37.0	3660	5240	5240	5700	650	2100	300	300	100	80	50
ECS1818E1	15.0	3660	5550	5550	6150	650	2100	300	300	100	80	50
ECS1818F1	18.5	3660	5550	5550	6150	650	2100	300	300	100	80	50
ECS1818G1	22.0	3660	5550	5550	6150	650	2100	300	300	100	80	50
ECS1818H1	30.0	3660	5550	5550	6150	650	2100	300	300	100	80	50
ECS1818I1	37.0	3660	5550	5550	6150	650	2100	300	300	100	80	50

EC-S SERIES RANGE



Tower Model	Motor kW	Fan Diameter mm	Overall Dimension (mm)					Piping Dimension (mm)				
								Water Inlet	Water Outlet	Overflow	Drain	Make Up Auto & Manual
			L	W	H	h	K					
ECS2020F1	18.5	3660	6160	6160	6150	650	2100	300	300	100	80	50
ECS2020G1	22.0	3660	6160	6160	6150	650	2100	300	300	100	80	50
ECS2020H1	30.0	3660	6160	6160	6150	650	2100	300	300	100	80	50
ECS2020I1	37.0	3660	6160	6160	6150	650	2100	300	300	100	80	50
ECS2020J1	45.0	3660	6160	6160	6150	650	2100	300	300	100	80	50
ECS 2222G1	22.0	4270	6770	6770	6150	650	2100	300	300	100	80	50
ECS 2222H1	30.0	4270	6770	6770	6150	650	2100	300	300	100	80	50
ECS 2222I1	37.0	4270	6770	6770	6150	650	2100	300	300	100	80	50
ECS 2222J1	45.0	4270	6770	6770	6150	650	2100	350	350	100	80	50
ECS 2222K1	55.0	4270	6770	6770	6150	650	2100	350	350	100	80	50
ECS 2424G1	22.0	4270	7380	7380	6150	650	2100	300	300	100	80	50
ECS 2424H1	30.0	4270	7380	7380	6150	650	2100	350	350	100	80	50
ECS 2424I1	37.0	4270	7380	7380	6150	650	2100	350	350	100	80	50
ECS 2424J1	45.0	4270	7380	7380	6150	650	2100	350	350	100	80	50
ECS 2424K1	55.0	4270	7380	7380	6150	650	2100	350	350	100	80	50