

Guangdong Zhaorin Industrial Co.,Ltd

Shichong Industrial Park,Xiangxi Village,Shipai Town,Dongguan City,Guangdong Province,China

TEL: 0086 0769 85785480

FAX: 0086 0769 81602620

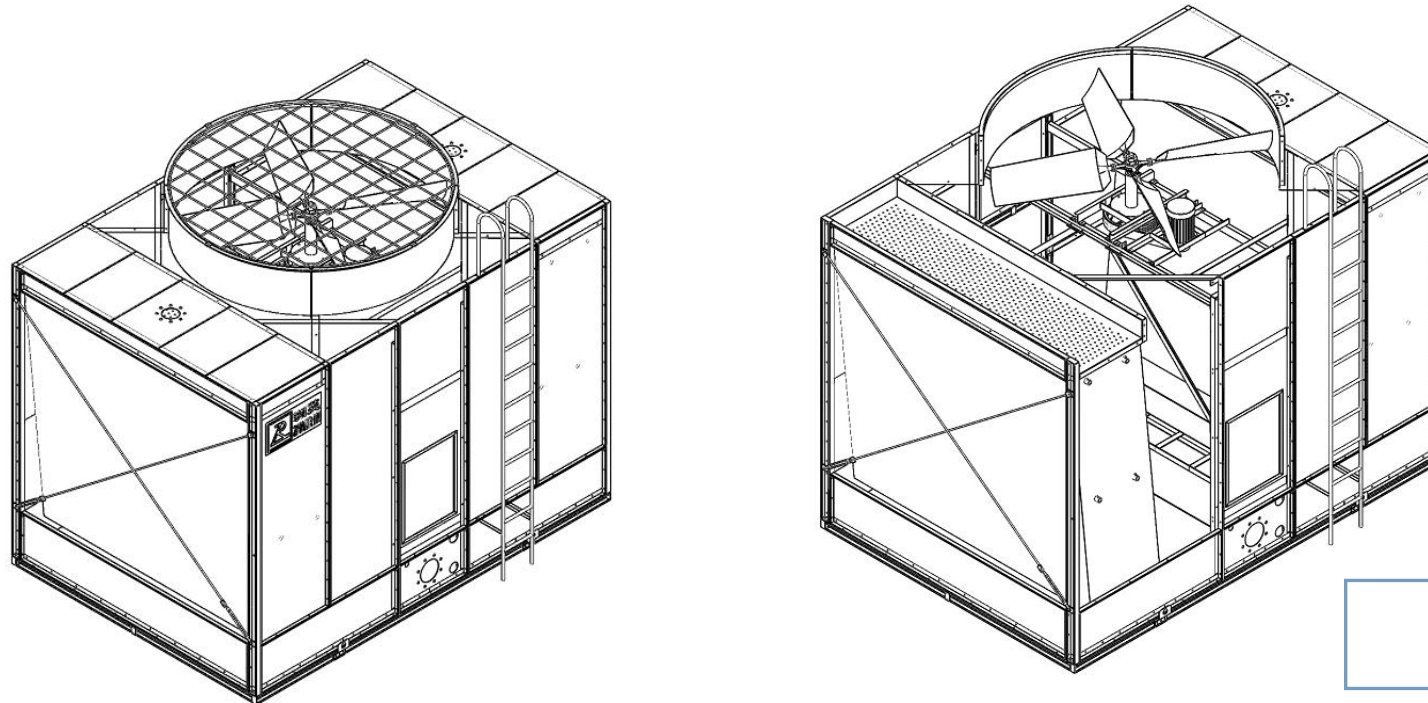
URL: <http://www.zhaorin.com>

MAIL: angelabeast@163.com



SRN Cross Flow Induced Draft Cooling Tower

Design Information



SRN-80-500

I. Outline of models

(open type, Cross-flow, and induced-draft)

Tower Model	Water Flow (m ³ /h)	Dimensions (mm)					Fan Assembly				Cooling capacity (37-32-28 °C) Kcal/h
		Width	Length	Height			Motor			Fan Dia D (mm)	
SRN		W	L	h ₁	h ₂	H	Kw	Hp	Num/Set		
80	80	3600	2380	500	2830	3330	4.0	5.5	1	1800	400000
100	100	3800	2580	500	2830	3330	5.5	7.5	1	2120	500000
125	125	4300	2970	500	2830	3330	5.5	7.5	1	2400	625000
150	150	4300	2970	500	3130	3630	5.5	7.5	1	2400	750000
175	175	5100	3150	500	3130	3630	7.5	10	1	2600	875000
200	200	5550	3250	600	3130	3730	11	15	1	2850	1000000
225	225	5800	3500	600	3130	3730	11	15	1	2850	1125000
250	250	6000	3750	700	3330	4030	11	15	1	3200	1250000
300	300	6300	4000	700	3330	4030	11	15	1	3200	1500000
350	350	6300	4000	700	3930	4630	15	20	1	3400	1750000
400	400	6800	4500	800	4030	4830	15	20	1	3700	2000000
450	450	6800	4500	800	4630	5430	18.5	25	1	4000	2250000
500	500	7050	4750	800	4630	5430	18.5	25	1	4000	2500000

Tower Model	Connecting Pipe Dimension (inch)						Dry Wt. (Kg)	Operating Wt (Kg)	Tower Head (M)
	Inlet	Outlet	Drain	Over flow	Filler				
SRN	I	C	D	O	Auto(A)	Quick(M)			
80	DN100 x2	DN125 x1	DN50x1	DN50 x1	DN25 x1	DN25 x1	980	2750	3.0
100	DN100 x2	DN125 x1	DN50x1	DN50 x1	DN25 x1	DN25 x1	1050	2950	3.0
125	DN125 x2	DN150 x1	DN80x1	DN80 x1	DN25 x1	DN25 x1	1150	3080	3.0
150	DN150 x2	DN200 x1	DN80x1	DN80 x1	DN25 x1	DN25 x1	1550	3850	3.3
175	DN150 x2	DN200 x1	DN80x1	DN80 x1	DN25 x1	DN25 x1	1860	4350	3.3
200	DN150 x2	DN200 x1	DN80x1	DN80 x1	DN25 x1	DN25 x1	2400	5050	3.3
225	DN150 x2	DN200 x1	DN80x1	DN80 x1	DN25 x1	DN25 x1	2550	5650	3.3
250	DN150 x2	DN250 x1	DN80x1	DN80 x1	DN40 x1	DN40 x1	2880	5980	3.5
300	DN150 x2	DN250 x1	DN80x1	DN80 x1	DN40 x1	DN40 x1	3180	7050	3.5
350	DN150 x2	DN250 x1	DN80x1	DN80 x1	DN40 x1	DN40 x1	3700	7950	4.0
400	DN150 x4	DN300 x1	DN100x1	DN100 x1	DN50 x1	DN50 x1	4250	9090	4.2
450	DN150 x4	DN300 x1	DN100x1	DN100 x1	DN50 x1	DN50 x1	4950	10200	4.8
500	DN150 x4	DN300 x1	DN100x1	DN100 x1	DN50 x1	DN50 x1	5550	11500	4.8

* Significance of the model names:

SRN	-	150
ZhaoRin, Cooling tower		Model code

II. Drawings:

(1) Model:

